

SPEC SHEET

Plug-in Type Digital Indicating Dissolved Oxygen Meter

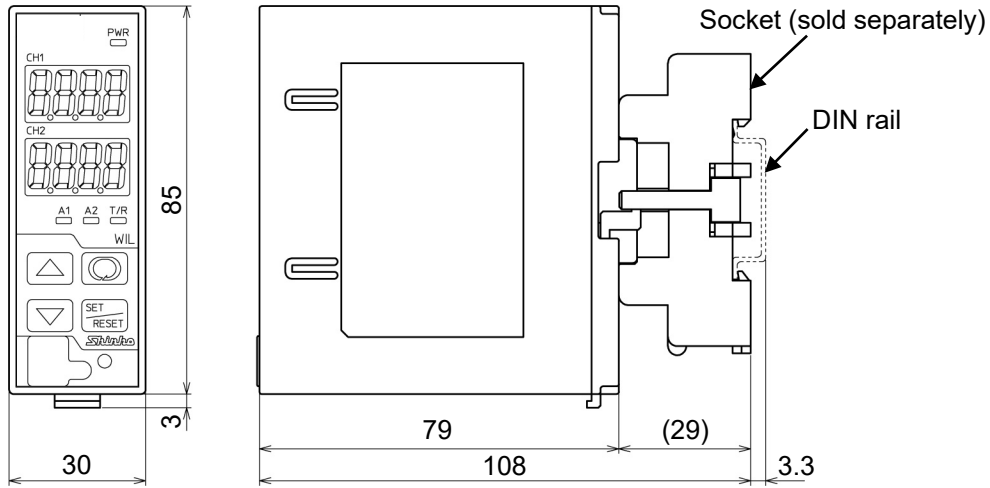
WIL-102-DO

- DIN rail mounted type
- Various settings, calibration operable via software communication (RS-485)
- 24 V AC/DC power supply (user-specified)



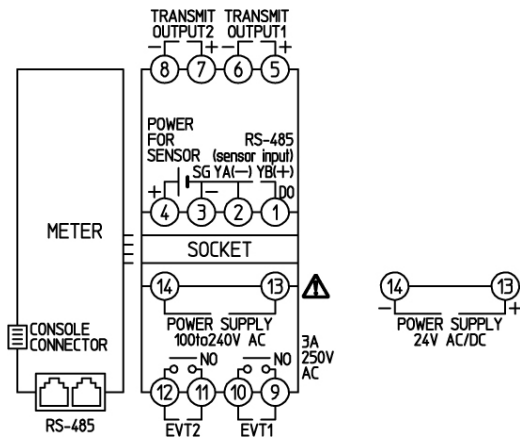
Name	Plug-in Type Digital Indicating Dissolved Oxygen Meter																									
Model	<table border="1"> <tr> <td>WIL-10</td> <td>2</td> <td>-DO</td> <td>, □□□</td> </tr> <tr> <td>Input points</td> <td>2</td> <td></td> <td>2 points</td> </tr> <tr> <td>Input</td> <td>DO</td> <td></td> <td>Optical DO sensor</td> </tr> <tr> <td rowspan="2">Power supply voltage</td> <td></td> <td></td> <td>100 to 240 V AC (standard)</td> </tr> <tr> <td>1</td> <td></td> <td>24 V AC/DC (*)</td> </tr> <tr> <td>Option</td> <td>EVT</td> <td></td> <td>EVT□ output (EVT3, EVT4, EVT5, EVT6)</td> </tr> </table> <p>(*1): Supply voltage 100 to 240 V AC is standard. When ordering 24 V AC/DC, enter 1 in Power supply voltage, after 'DO'.</p> <p>Accessories sold separately: Socket: ASK-001-1 (Finger-safe, Ring terminal unusable)</p>			WIL-10	2	-DO	, □□□	Input points	2		2 points	Input	DO		Optical DO sensor	Power supply voltage			100 to 240 V AC (standard)	1		24 V AC/DC (*)	Option	EVT		EVT□ output (EVT3, EVT4, EVT5, EVT6)
WIL-10	2	-DO	, □□□																							
Input points	2		2 points																							
Input	DO		Optical DO sensor																							
Power supply voltage			100 to 240 V AC (standard)																							
	1		24 V AC/DC (*)																							
Option	EVT		EVT□ output (EVT3, EVT4, EVT5, EVT6)																							
Measurement range	<table border="1"> <thead> <tr> <th>Input</th> <th>Scale Range</th> <th>Resolution</th> </tr> </thead> <tbody> <tr> <td>DO concentration</td> <td>0.00 to 20.00 mg/L</td> <td>0.01 mg/L</td> </tr> <tr> <td>DO % saturation</td> <td>0.0 to 200.0%</td> <td>0.1%</td> </tr> <tr> <td>Oxygen partial pressure</td> <td>0.0 to 150.0 kPa</td> <td>0.1 kPa</td> </tr> <tr> <td>Temperature</td> <td>0.0 to 50.0°C</td> <td>0.1°C</td> </tr> </tbody> </table>			Input	Scale Range	Resolution	DO concentration	0.00 to 20.00 mg/L	0.01 mg/L	DO % saturation	0.0 to 200.0%	0.1%	Oxygen partial pressure	0.0 to 150.0 kPa	0.1 kPa	Temperature	0.0 to 50.0°C	0.1°C								
Input	Scale Range	Resolution																								
DO concentration	0.00 to 20.00 mg/L	0.01 mg/L																								
DO % saturation	0.0 to 200.0%	0.1%																								
Oxygen partial pressure	0.0 to 150.0 kPa	0.1 kPa																								
Temperature	0.0 to 50.0°C	0.1°C																								
Indicating accuracy	Depends on the accuracy of Optical DO sensor																									
Time accuracy	Within $\pm 1\%$ of setting time																									
Data update cycle	5 seconds																									
Transmission output 1, 2	<p>Converts any one of (DO concentration, water temperature, DO % saturation, or Oxygen partial pressure) to an analog signal every update cycle, and outputs in current. If Transmission output high limit and low limit are set to the same value, Transmission output will be fixed at 4 mA DC.</p> <p>Resolution: 12000</p> <p>Output: 4 to 20 mA DC (Load resistance: Max. 550 Ω)</p> <p>Output accuracy: Within $\pm 0.3\%$ of Transmission output 1 or 2 span</p>																									
EVT□ output [Option: EVT]	<p>Output: Open collector</p> <p>Control capacity: 0.1 A 24 V DC</p>																									
Self-diagnosis	The CPU is monitored by a watchdog timer, and if an abnormal status occurs, the instrument is switched to warm-up status.																									
Input	Optical DO sensor																									
Ambient temperature	0 to 50°C																									
Ambient humidity	35 to 85 %RH (Non-condensing)																									
Power supply (user-specified)	<p>WIL-102-DO: 100 to 240 V AC 50/60 Hz Allowable fluctuation range: 85 to 264 V AC</p> <p>WIL-102-DO 1: 24 V AC/DC 50/60 Hz Allowable fluctuation range: 20 to 28 V AC/DC</p>																									
Structure	<p>DIN rail mounted</p> <p>Case: Flame-resistant resin, Color: Light gray</p> <p>Front panel: Membrane sheet</p>																									
Protection structure	Overvoltage category II, Pollution degree 2 (IEC61010-1)																									
Safety standards	RoHS directive compliant																									
Dimensions	W30 x H88 x D108 mm (including socket)																									
Weight	Approx. 200 g (including socket)																									

Dimensions
(Scale: mm)



Terminal
arrange-
ment

Standard Spec:



DO RS-485 (sensor input):

DO sensor YB (+) input terminal (Blue) (①)

DO RS-485(sensor input):

DO sensor YA (-) input terminal (Green) (②)

DO POWER FOR SENSOR:

External power supply (-) terminal (Black) and
DO sensor shield (③)

DO POWER FOR SENSOR:

External power supply (+) terminal (Red) (④)

TRANSMIT OUTPUT1: Transmission output 1 terminals
(⑤ - ⑥)

TRANSMIT OUTPUT2: Transmission output 2 terminals
(⑦ - ⑧)

EVT1: EVT1 output (Contact output 1) (⑨ - ⑩)

EVT2: EVT2 output (Contact output 2) (⑪ - ⑫)

When the EVT option is ordered:

EVT3: EVT3 output (Open collector output 3) (*)

EVT4: EVT4 output (Open collector output 4) (*)

EVT5: EVT5 output (Open collector output 5) (*)

EVT6: EVT6 output (Open collector output 6) (*)

(*) For EVT3 to EVT6, use the included wire
harness WJ.

POWER SUPPLY:

Power terminals: (⑬ - ⑭)

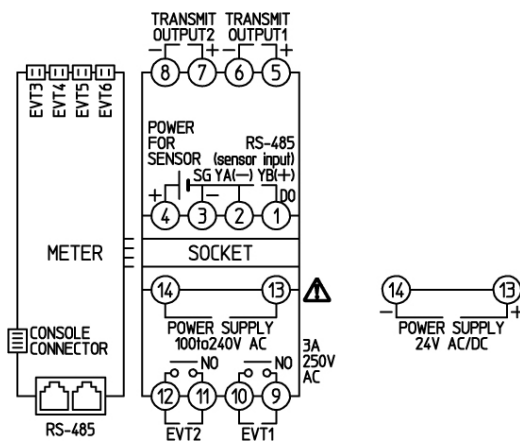
100 to 240 V AC or 24 V AC/DC

24V AC/DC: 1 is entered after 'DO'.

For 24V DC, do not reverse polarity.

RS-485: Serial communication modular jack

EVT Option Spec:



Modular Jack Pin (WIL-102-DO side arrangement)

No. 1	No. 1 COM
No. 6	No. 2 NC
No. 1	No. 3 YB(+)
No. 6	No. 4 YA(-)
	No. 5 NC
	No. 6 COM