

Programmable controller

Model: **PC-935 T1633**

The PC-935-x/M T1633, Programmable Controller, differs from the standard PC-935 in the following points. For more specification details, please refer to the Catalog "PC-900 Series".

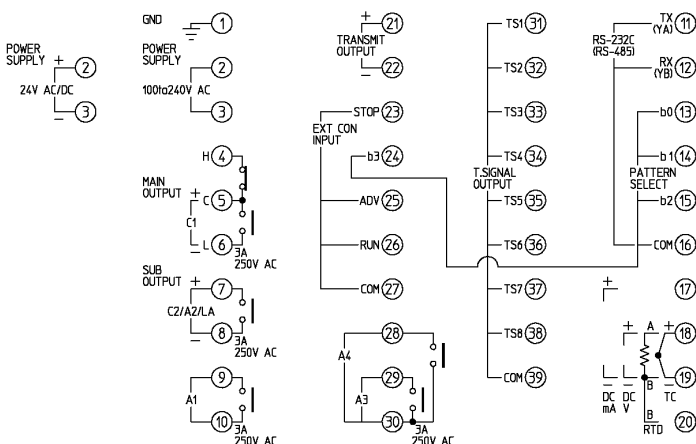
■ Program performance

Number of patterns	16 (Linkable), Indication: 0 to 9, A to F
Number of steps	256 (16 steps/Pattern), Indication: 0 to 9, A to F
Number of repetitions	0 to 9999 times (No repeat action when set to 0)
Program time range	0 to 99 hours 59 minutes/Step, or 0 to 99 minutes 59 seconds/Step
Time setting accuracy	Within $\pm 0.1\%$ of setting time
Wait value	$\pm(0 \text{ to } 100)^{\circ}\text{C}(\text{F})$, With decimal point: $\pm(0.0 \text{ to } 100.0)^{\circ}\text{C}(\text{F})$ (No Wait action when set to 0 or 0.0) DC current, voltage input: $\pm(0 \text{ to } 1000)$ (The placement of the decimal point follows the selection.)

■ Spec: External selection/operation: The following functions are operable with Contact (or open collector) CLOSED.

Pattern number external selection	Pattern numbers 0 to 15 are selectable by connecting external terminals.																
	Terminal No.	Pattern number															
		0 (*)	1	2	3	4	5	6	7	8	9	10	11	12	13	14	15
	(13) b0		O		O		O		O		O		O		O		O
	(14) b1			O	O			O	O			O	O			O	O
(15) b2					O	O	O	O					O	O	O	O	
(24) b3									O	O	O	O	O	O	O	O	
	O: Selects a pattern number by connecting b0/b1/b2/ b3 to COM terminal. (*) When you want to use the maximum number of External selections, select "Pattern 0" by keypad operation.																
STOP	Stops the running program control.																
RUN	Starts the program RUN.																
ADV (ADVANCE)	Interrupts performing step, and moves to the next step.																
HOLD	Not available																

■ Terminal arrangement



- GND: Ground terminal
- POWER SUPPLY: 100 to 240V AC or 24VAC/DC
- C1: OUT1(Control output 1) or Heating OUT1(D□ option)
- C2/A2/LA: Cooling OUT2 (D□ option), Alarm 2 output (A2 option), Pattern end output A2 (A2 option), Loop break alarm (LA option)
- A1 : Alarm 1 output or Pattern end output (A1)
- RS-232C(RS-485): Communication RS-232C (C option), RS-485(C5 option)
- PATTERN SELECT: Pattern No. external selection
- TC : Thermocouple input
- RTD : RTD input
- DC mA : DC current input
- DC V : DC voltage input
- TRANSMIT OUTPUT: Transmission output (TA, TV option)
- EXT CON INPUT : External operation input
- A4 : Alarm 4 output or Pattern end output (A4)
- A3 : Alarm 3 output or Pattern end output (A3)
- T.SIGNAL OUTPUT: Time signal output (TS option)

Programmable controller

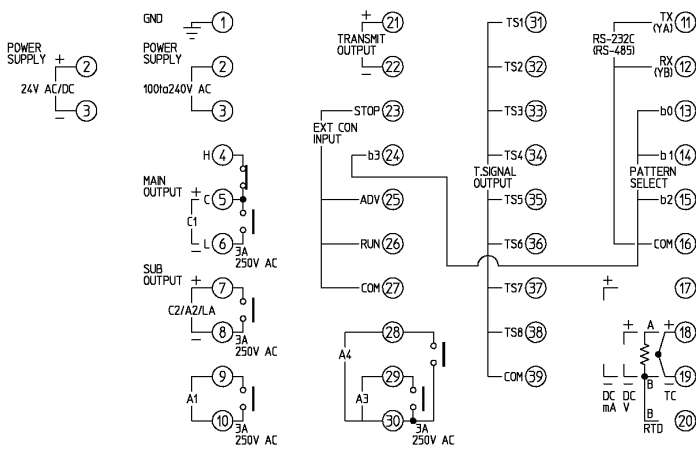
Model: **PC-935 T1634**

The PC-935-x/M T1634, Programmable Controller, differs from the standard PC-935 in the following points.
For more specification details, please refer to the Catalog "PC-900 Series".

■ **Spec:** External selection/operation: The following functions are operable with Contact (or open collector) CLOSED.

Pattern number external selection	Pattern numbers 0 to 9 are selectable by connecting external terminals.										
	Terminal No.	Pattern number									
		0 (*)	1	2	3	4	5	6	7	8	9
	(13) b0		O		O		O		O		O
	(14) b1			O	O			O	O		
(15) b2					O	O	O	O			
(24) b3									O	O	
	O: Selects a pattern number by connecting b0/b1/b2/ b3 to COM terminal. (*) When you want to use the maximum number of External selections, select "Pattern 0" by keypad operation.										
STOP	Stops the running program control.										
RUN	Starts the program RUN.										
ADV (ADVANCE)	Interrupts performing step, and moves to the next step.										
HOLD	Not available										

■ **Terminal arrangement**



- GND: Ground terminal
- POWER SUPPLY: 100 to 240V AC or 24VAC/DC
- C1: OUT1(Control output 1) or Heating OUT1(D□ option)
- C2/A2/LA: Cooling OUT2 (D□ option), Alarm 2 output (A2 option) or Pattern end output 2 (A2 option), Loop break alarm (LA option)
- A1 : Alarm 1 output or Pattern end output (A1)
- RS-232C(RS-485): Communication RS-232C (C option), RS-485 (C5 option)
- PATTERN SELECT: Pattern No. external selection
- TC : Thermocouple input
- RTD : RTD input
- DC mA : DC current input
- DC V : DC voltage input
- TRANSMIT OUTPUT : Transmission output (TA, TV option)
- EXT CON INPUT : External operation input
- A4 : Alarm 4 output or Pattern end output (A4)
- A3 : Alarm 3 output or Pattern end output (A3)
- T.SIGNAL OUTPUT: Time signal output (TS option)