

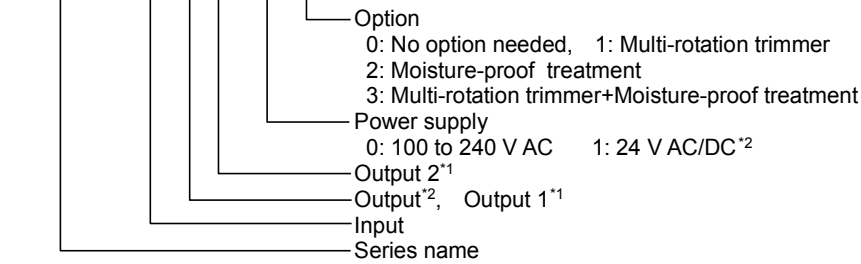
和文は裏面をご覧ください。

QUICK REFERENCE [Applicable model: SGS, SGSW, SGSL]

No.SGS12JE1 2018.10

Model Name

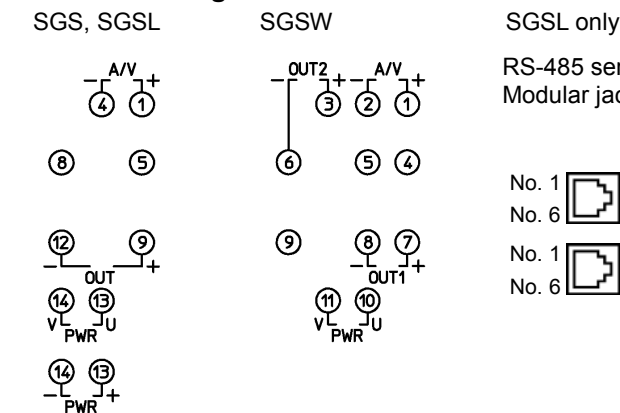
SGS □ - □ □ □ - □ □



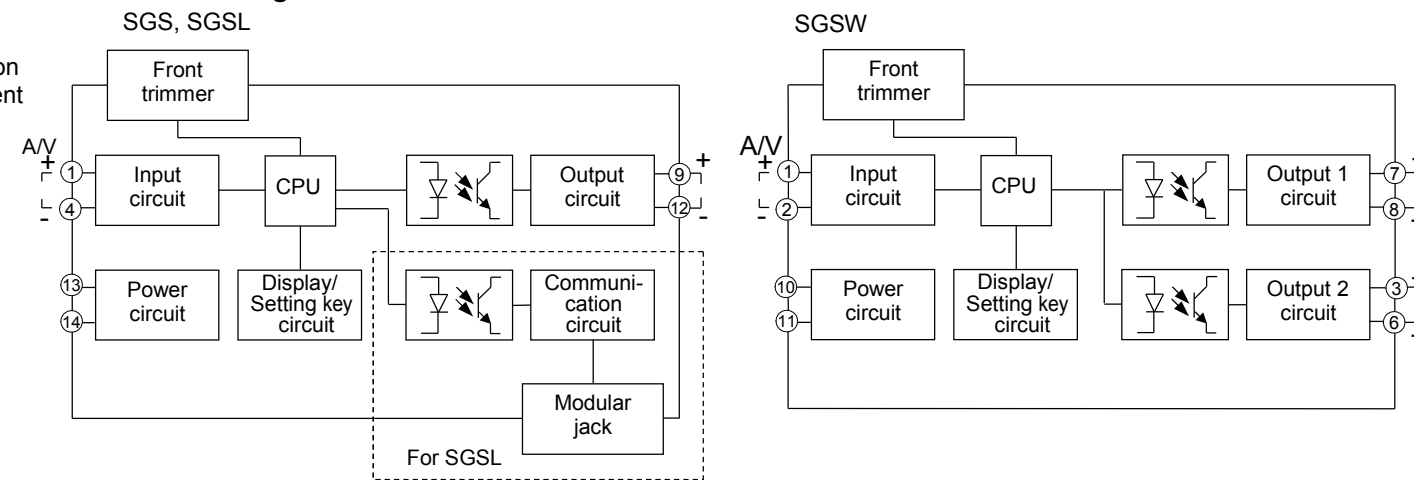
*1: SGSW only
 *2: SGS, SGSL only
 SGS: 1-output, SGSW: 2-outputs
 SGSL: 1-output + Serial communication

(For detailed input/output spec, refer to the full Instruction Manual.)

Terminal Arrangement



Circuit Configuration



Characters

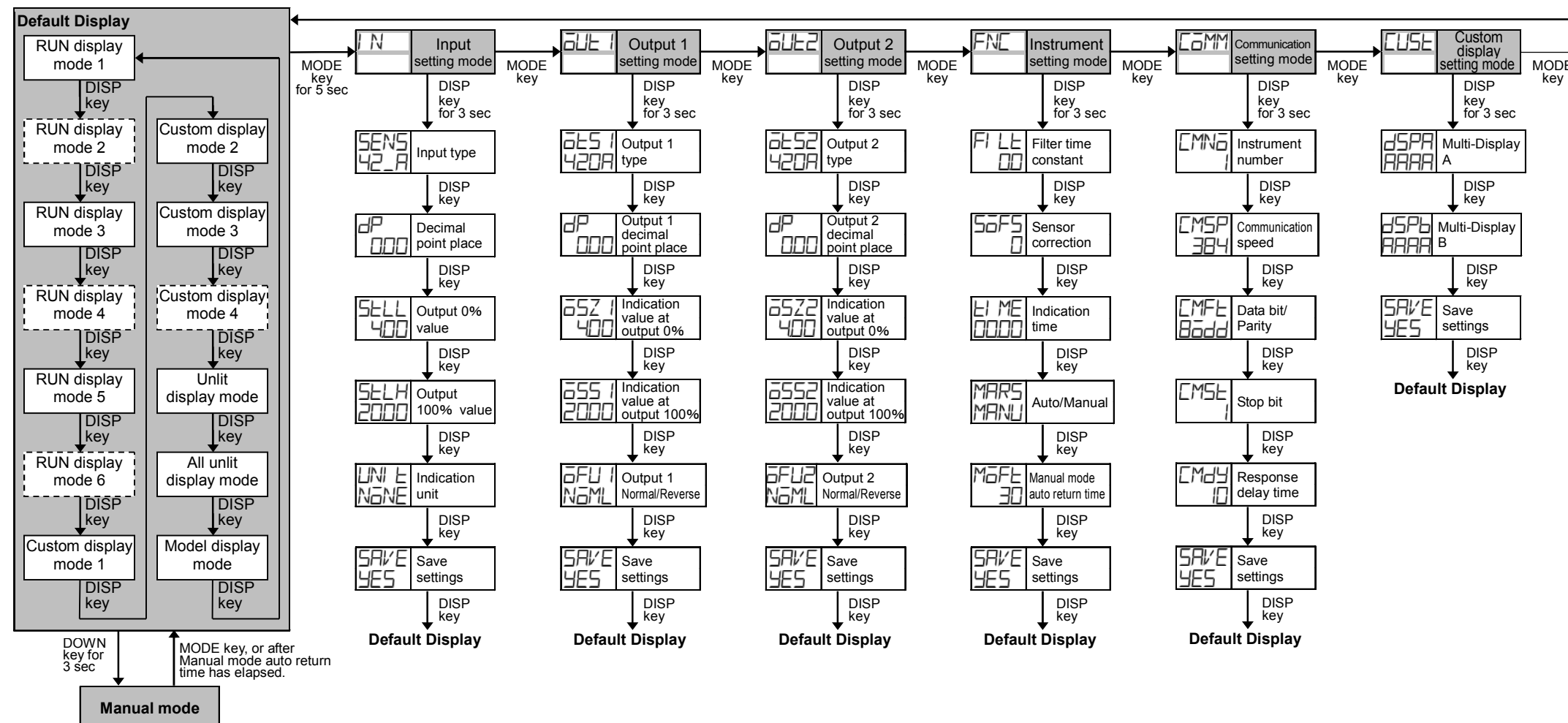
Indication	4	0	1	2	3	4	5	6	7	8	9	C	F
Number, °C/°F	-1	0	1	2	3	4	5	6	7	8	9	°C	°F
Indication	A	B	C	D	E	F	G	H	I	J	K	L	M
Alphabet	A	B	C	D	E	F	G	H	I	J	K	L	M
Indication	N	O	P	Q	R	S	T	U	V	W	X	Y	Z
Alphabet	N	O	P	Q	R	S	T	U	V	W	X	Y	Z

Selection Item List

Input type	Decimal point place	Communication speed
42_A 4 to 20 mA (Built-in 50 Ω shunt resistor)	0 No decimal point 00 1 digit after point 000 2 digits after point 0000 3 digits after point	96 9600 bps 192 19200 bps 384 38400 bps
42_1 4 to 20 mA (250Ω shunt resistor)		Data bit/Parity
42_2 4 to 20 mA (50 Ω shunt resistor)		8N0N 8 bits/No parity 8E0N 8 bits/Even 8O0d 8 bits/Odd
020A 0 to 20 mA (250Ω shunt resistor)	PER % MA mA	Stop bit
016A 0 to 16 mA (62.5Ω shunt resistor)	V0L 0 to 16 V CELS °C	1 1 bit 2 2 bits
210A 2 to 10 mA (250Ω shunt resistor)	Save settings YES Save NO Not save	
010A 0 to 10 mA (100Ω shunt resistor)	Output 1, Output 2 type 420A 4 to 20 mA 020A 0 to 20 mA 016A 0 to 16 mA 210A 2 to 10 mA	
15A 1 to 5 mA (100Ω shunt resistor)	016A 0 to 16 mA 210A 2 to 10 mA	
01A 0 to 1 mA (1000Ω shunt resistor)	010A 0 to 10 mA 01mV 0 to 10 mV 01V 0 to 1 V	
1050 10 to 50 mA (10 Ω shunt resistor)	01mV 0 to 10 mV 01V 0 to 1 V	
01mV 0 to 10 mV (Input resi. 1 MΩ)	05V 0 to 5 V 15V 1 to 5 V	
05mV 0 to 50 mV (Input resi. 1 MΩ)	010V 0 to 10 V -55V -5 to 5 V ^{※1}	
00V 0 to 100 mV (Input resi. 1 MΩ)	Output 1,2 decimal point place 0 No decimal point 00 1 digit after point 000 2 digits after point 0000 3 digits after point	
0V 0 to 1 V (Input resi. 1 MΩ)	Output 1,2 Normal/Reverse N0ML Normal REV5 Reverse	
15V 1 to 5 V (Input resi. 1 MΩ)	Auto/Manual AUL0 Auto MANU Manual	
-55V -5 to 5 V (Input resi. 1 MΩ)		
010V 0 to 10 V (Input resi. 1 MΩ)		
-10V -10 to 10 V (Input resi. 1 MΩ)		

(Abbreviation: Input resi.: Input resistance)
 ※1 Not available for the SGSW.

Key Operation Flowchart



Display Mode

- Available only for the SGSW.
- For the details of the display mode, refer to the full Instruction Manual.

Default Display

- If the MODE and DISP keys (in that order) are pressed together for approx. 3 seconds in any display mode, the display mode will become the Default Display.
- Once the Default Display is set, the DISP key will be in lock status.
- If the DISP key is pressed for approx. 3 seconds, the key lock status will be cancelled.
- If the DISP key is pressed while the DISP key is in lock status, Multi-Display A will indicate **LoCK**.

Setting Mode

- Output 2 setting mode is available only for the SGSW.
- Communication setting mode is available only for the SGSL.
- If the MODE key is pressed for approx. 5 seconds in each setting mode, the unit will move to the Default Display.