

和文は裏面をご覧ください。

QUICK REFERENCE [Applicable model: SGT, SGTW, SGTL]

No.SGT12JE1 2018.10

Model Name

SGT □ - □ □ □ - □ - □

- Option
- 0: No option needed, 1: Multi-rotation trimmer
- 2: Moisture-proof treatment
- 3: Multi-rotation trimmer+Moisture-proof treatment
- Power supply
- 0: 100 to 240 V AC, 1: 24 V AC/DC^{*2}
- Output 2¹
- Output^{*2}, Output 1¹
- Input
- Series name
- SGT: 1-output, SGTW: 2-outputs
- SGTL: 1-output + Serial communication

*1 For SGTW only

*2 For SGT, SGTL only

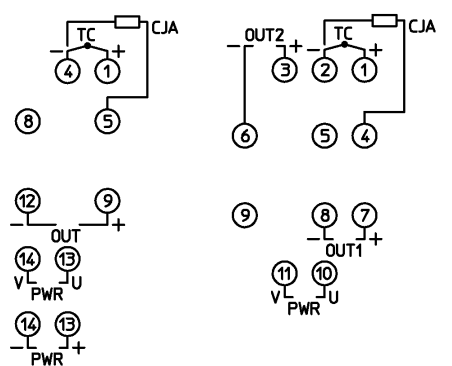
(For detailed input/output spec, refer to the full Instruction Manual.)

Terminal Arrangement

SGT, SGTL

SGTW

SGTL only



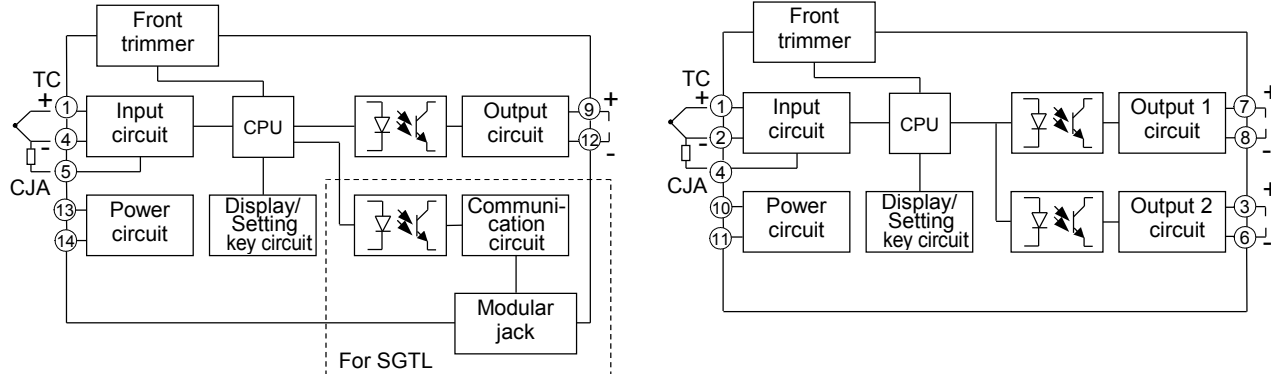
RS-485 serial communication
Modular jack pin arrangement

No. 1	COM
No. 2	NC
No. 3	YB(+)
No. 4	YA(-)
No. 5	NC
No. 6	COM

Circuit Configuration

SGT, SGTL

SGTW



Characters

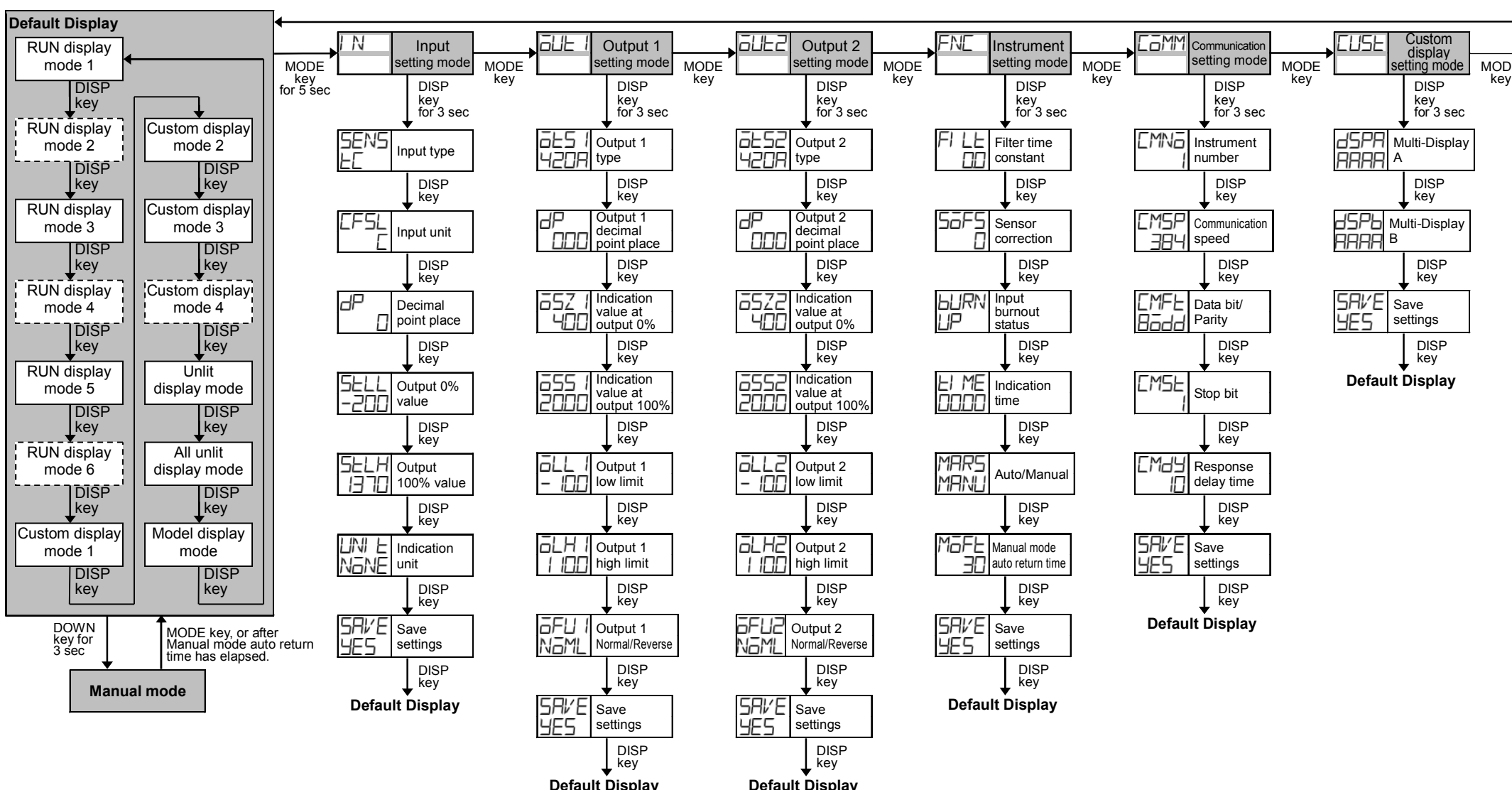
Indication	4 0 1 2 3 4 5 6 7 8 9 C F
Number, °C/°F	-1 0 1 2 3 4 5 6 7 8 9 °C °F
Indication	A B C D E F G H I J K L M
Alphabet	A B C D E F G H I J K L M
Indication	N O P Q R S T U V W X Y Z
Alphabet	N O P Q R S T U V W X Y Z

Selection Item List

Input type	Indication unit	Output 1,2 Normal/Reverse
K C K-200 to 1370 °C	NONE No unit	Normal
K 2C K -200 to 200 °C	PER %	Reverse
K 4C K 0 to 400 °C	MA mA	Input burnout status
J C J -200 to 1000 °C	VOLT V	UP Overscale
J 2C J -200 to 200 °C	CELS °C	DOWN Underscale
J 4C J 0 to 400 °C	Save settings	Auto/Manual
R C R -50 to 1760 °C	YES Save	AUTO Auto
S C S -50 to 1760 °C	NO Not save	MANU Manual
b C B 0 to 1820 °C	Output 1, Output 2 type	Communication speed
E C E -200 to 800 °C	420A 4 to 20 mA	96 9600 bps
E C T -200 to 400 °C	020A 0 to 20 mA	192 19200 bps
E IC T -100 to 100 °C	016A 0 to 16 mA	384 38400 bps
N C N-200 to 1300 °C	210A 2 to 10 mA	Data bit/Parity
PL2C PL-II 0 to 1390 °C	010A 0 to 10 mA	8bit/No parity
W5C W5Re/W26Re 0 to 2315 °C	01mV 0 to 10 mV	8bit/Even
W3C W3Re/W25Re 0 to 2315 °C	01V 0 to 1 V	8bit/Odd
	05V 0 to 5 V	Stop bit
		1 1 bit
Input unit	15V 1 to 5 V	2 2 bits
	010V 0 to 10 V	
	F °F	-55V -5 to 5 V ^{*1}
Decimal point place	Output 1,2 decimal point place	
	No decimal point	No decimal point
	00 1 digit after point	00 1 digit after point
	000 2 digits after point	000 2 digits after point
	0000 3 digits after point	0000 3 digits after point

*1 Not available for the SGTW.

Key Operation Flowchart



Display Mode

- Available only for the SGTW.
- For the details of the display mode, refer to the full Instruction Manual.

Default Display

- If the MODE and DISP keys (in that order) are pressed together for approx. 3 seconds in any display mode, the display mode will become the Default Display.
- Once the Default Display is set, the DISP key will be in lock status.
- If the DISP key is pressed for approx. 3 seconds, the key lock status will be cancelled.
- If the DISP key is pressed while the DISP key is in lock status, Multi-Display A will indicate LOCK.

Setting Mode

- Output 2 setting mode is available only for the SGTW.
- Communication setting mode is available only for the SGTL.
- If the MODE key is pressed for approx. 5 seconds in each setting mode, the unit will move to the Default Display.