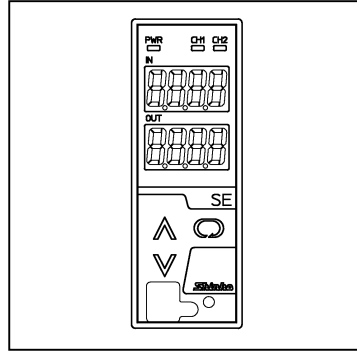


2ch Alarm Detector (DC Voltage) (with two large displays) Model: SE2VA

■ Features

- Alarm Energized/De-energized
- Alarm HOLD function
- Alarm delay function
- Set value lock



■ Model

SE2VA - □ - □ - □

- Socket
 - 1: Screw fall prevention Finger-safe (for Y terminal)
 - 2: For Ring terminal
- Power supply
 - 0: 100 to 240V AC
 - 1: 24V AC/DC
- Output points
 - 0: 2-points (Alarm 1 output)
 - 1: 6-points (Alarm 1 to 3 outputs)

■ How to Order

Specify a model. (E.g.) SE2VA-1-0-0
 Factory adjusted value:

CH1 Input	1 to 5V DC
CH2 Input	1 to 5V DC

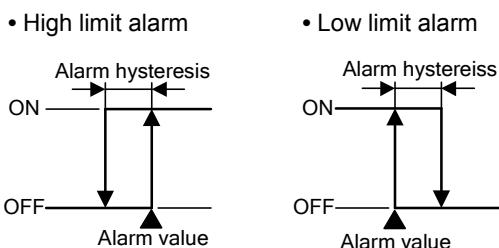
■ Input Specifications

DC voltage

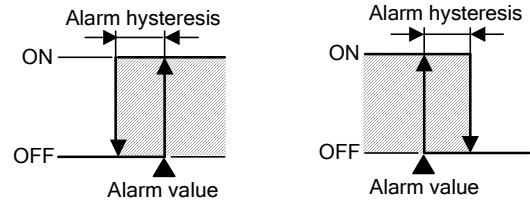
Input range	Input resistance	Allowable signal source resistance
0 to 1V DC	1MΩ	2kΩ or less
0 to 5V DC		1kΩ or less
1 to 5V DC		
0 to 10V DC		

■ Output Specifications

A maximum of 3 points of alarm output are available for one input.
 For each alarm output, one of the following types can be selected in [Alarm type]: High limit alarm, Low limit alarm, High limit alarm with standby and Low limit alarm with standby.



- High limit alarm with standby
- Low limit alarm with standby



▨ Standby functions.

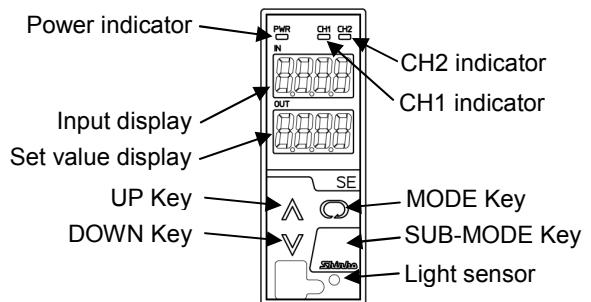
- Alarm action: ON/OFF action
- Alarm hysteresis: 0.1 to 100.0%FS
- Alarm delay time: 0 to 9999 sec
- Alarm Energized/De-energized, Selectable
- Alarm HOLD function Enabled/Disabled, Selectable
- Alarm 1 output: Relay contact 1a
- Control capacity: 3A 250V AC (resistive load)
- 1A 250V AC (inductive load cosφ=0.4)
- Electric life: 100,000 cycles
- Alarm 2, 3 outputs: Open collector
- Control capacity: 0.1A 24V DC

■ Performance

- Reference accuracy (Ambient temperature: 23°C)
 - DC voltage input: Within ±0.1%
- Indication accuracy: Within Reference input accuracy ±1 digit
- Input sampling period: 25msec, 125msec, 250msec (Selectable by keypad)
- Temperature coefficient: ±0.015%/°C or less
- Insulation resistance: 10MΩ or more, at 500V DC (Input - Output - Power)
- Dielectric strength: 1.5kV AC for 1 minute (Input - Output - Power)

■ General Structure

- Case: Flame-resistant resin Color: Light gray
- Front panel: Membrane sheet
- Setting: Using the front keypad
- Display: Input display: 7-segment Red LED display 4-digit, Character size, 10x4.6mm (HxW)
- Set value display: 7-segment Red LED display 4-digit, Character size, 10x4.6mm (HxW)
- Power indicator: Green LED
- CH1, CH2 indicators: Yellow LED



Installation Specifications

Power supply: 100 to 240V AC 50/60Hz
 24V AC/DC 50/60Hz
 Allowable voltage range: 85 to 264V AC, 20 to 28V AC/DC
 Power consumption: Approx. 9VA
 Ambient temperature: -5 to 55°C
 Ambient humidity: 35 to 85%RH (non-condensing)
 Mounting: DIN rail
 External dimensions: W30xH88xD108mm (socket included)
 Weight: Approx. 200g (socket included)

Attached Functions

Auto-light function: Automatically measures and controls brightness of the displays to conserve power.
 Power failure countermeasure:
 The data is backed up in non-volatile IC memory.
 Self diagnosis: The CPU is monitored by a watchdog timer, and when an abnormal status is found on the CPU, the unit is switched to warm-up status turning all outputs OFF.

Environmental Specification

RoHS directive compliance

Settings

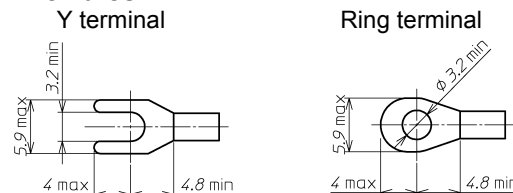
Function keys

- (1) UP Key: Increases a numerical value.
- (2) DOWN Key: Decreases a numerical value.
- (3) MODE Key: Selects a setting mode.
- (4) SUB-MODE Key: Re-lights displays. (UP Key, DOWN Key or MODE Key also re-lights displays.)

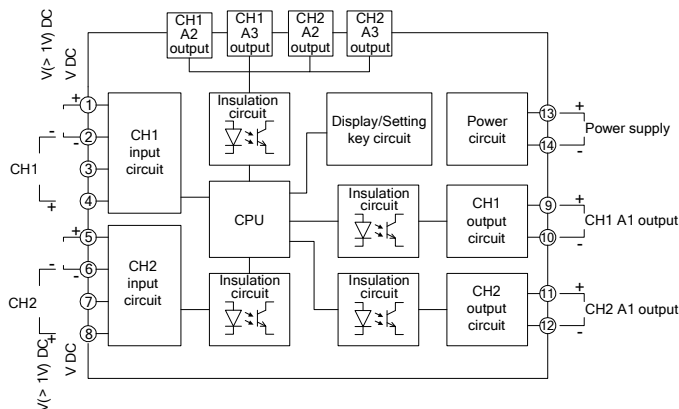
Displays and Indicator

Input display: Indicates the input value.
 Indication of -2000 or less: The minus (-) sign and input value light alternately.
 Indication of 10000 or more: The lower 4 digits flash.
 Under range: -10% of input span or less:
 " _ _ _ _ " flashes on the Input display.
 Over range: 110% of input span or more:
 " _ _ _ _ " flashes on the Input display.
 Warm-up indication: The CH1 input type is displayed on the Input display, CH2 input type is displayed on the Set value display for 3 sec after power is turned ON.
 Set value display: Alarm 1 (A1), Alarm 2 (A2), Alarm 3 (A3) values are indicated (follows the selection in "Display selection").
 If the UP Key is pressed for 1 second during alarm value indication, alarm values will be switched thus.
 (A1 → A2 → A3 → A1).
 When power is turned ON, A1 value is indicated.
 When alarm output is ON, the relevant CH1/CH2 indicator with the alarm ON flashes, and "AL" and the value selected in [Display selection] are alternately indicated on the Set value display. If the UP Key is pressed together with the DOWN Key in the above status, the alarm output currently being turned ON will be displayed.
 (E.g.) If CH1 Alarm 1 and CH2 Alarm 3 outputs are ON, "1-AL" and "2-AL3" are displayed in order.
 Power indicator (green): Lit when power is turned ON.
 CH1 indicator (yellow): Lit when CH1 is selected in [Display selection].
 CH2 indicator (yellow): Lit when CH2 is selected in [Display selection].

Ferrules

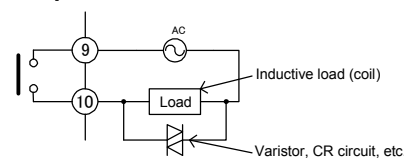


Circuit Configuration & Terminal Arrangement

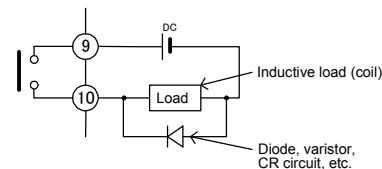


Alarm 1 output: Take the following measures for relay contact protection and noise reduction.

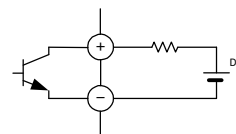
• AC power



• DC power



Alarm 2, 3 outputs: Connection example of Open collector output



External Dimensions (Scale: mm)

