

Preface

Thank you for purchasing our DSW-200-CO2, Indoor CO₂ Sensor.


This manual contains instructions for installation and handling of the DSW-200-CO2. To ensure safe and correct use, thoroughly read and understand this manual before using this sensor. To prevent accidents arising from the misuse of this instrument, please ensure the operator receives this manual.

Notes

- This instrument should be used in accordance with the specifications described in the manual. If it is not used according to the specifications, it may malfunction or cause a fire.
- Be sure to follow all of the warnings, cautions and notices. If they are not observed, serious injury or malfunction may occur.
- The contents of this instruction manual are subject to change without notice.
- Care has been taken to ensure that the contents of this instruction manual are correct, but if there are any doubts, mistakes or questions, please inform our sales department.
- Any unauthorized transfer or copying of this document, in part or in whole, is prohibited.
- Shinko Technos Co., Ltd. is not liable for any damage or secondary damage(s) incurred as a result of using this product, including any indirect damage.

Safety Precautions (Be sure to read these precautions before using our products.)

The safety precautions are classified into 2 categories: "Warning" and "Caution".

Depending on the circumstances, procedures indicated by  Caution may result in serious consequences, so be sure to follow the directions for usage.

Warning

Procedures which may lead to dangerous conditions and cause death or serious injury, if not carried out properly.

Caution

Procedures which may lead to dangerous conditions and cause superficial to medium injury or physical damage or may degrade or damage the product, if not carried out properly.

Warning

- To prevent an electrical shock or fire, only Shinko or other qualified service personnel may handle the inner assembly.
- To prevent an electrical shock, fire or damage to the instrument, parts replacement may only be undertaken by Shinko or other qualified service personnel.

SAFETY PRECAUTIONS

- To ensure safe and correct use, thoroughly read and understand this manual before using this instrument.
- This instrument is intended to be used for general equipment. Verify correct usage after purpose-of-use consultation with our agency or main office.
(Never use this instrument for medical purposes with which human lives are involved.)
- External protection devices must be installed, as malfunction of this product could result in serious damage to the system or injury to personnel. Proper periodic maintenance is also required.
- This instrument must be used under the conditions and environment described in this manual.
Shinko Technos Co., Ltd. does not accept liability for any injury, loss of life or damage occurring due to the instrument being used under conditions not otherwise stated in this manual.

Caution with Respect to Export Trade Control Ordinance

To avoid this instrument from being used as a component in, or as being utilized in the manufacture of weapons of mass destruction (i.e. military applications, military equipment, etc.), please investigate the end users and the final use of this instrument.

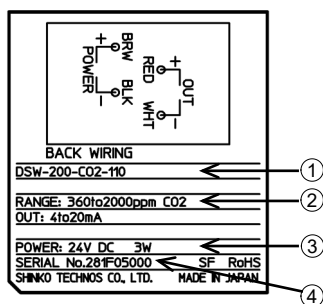
In the case of resale, ensure that this instrument is not illegally exported.

1. Model

1.1 Model

Model	DSW-200	<input type="checkbox"/>	<input type="checkbox"/>	<input type="checkbox"/>	<input type="checkbox"/>	
Measuring object	CO2					CO ₂ concentration
Measurement range	1					360 to 2000 ppm (with Sensor Correction Function)
	2					360 to 5000 ppm (with Sensor Correction Function)
Output spec	1					4 to 20 mA DC
	2					0 to 20 mA DC
	3					1 to 5 V DC
	4					0 to 5 V DC
	5					0 to 1 V DC
Moisture-proof coating	0					Not needed
	1					Needed

1.2 How to Read the Model Label



Model label is attached to the inside of the case.

- ① Model
- ② Measurement range, Output
- ③ Power supply voltage, Power consumption
- ④ Serial number

(Fig. 1.2-1)

2. Mounting

⚠ Caution

Turn the power supply to the instrument OFF before wiring, otherwise it may result in a malfunction. Installation site should be examined, giving careful consideration to the following conditions.

Please note that this product is designed for indoor use only.

[This instrument is intended to be used under the following environmental conditions.]

- Mount on a wall about 1.5 m high above the floor, in average temperature and humidity
- 0.1 to 0.15 m/s of ambient wind velocity
- Sufficient space for maintenance in front of the sensor
- Install in a location where heat does not stay on such as near OA equipment.
- No furniture, fixtures or doors to block air flow
- No draft, downdraft, or cool/warm air from water pipes/ducts
- A minimum of dust, and an absence of corrosive gases
- No flammable, explosive gases
- Few mechanical vibrations or shocks
- No exposure to direct sunlight, an ambient temperature of 0 to 50°C (32 to 122°F) without rapid change, and no icing
- An ambient non-condensing humidity of 0 to 95 %RH
- An absence of chlorinated and sulfidizing gases
- No water, oil, chemicals or the vapors of these substances can come into direct contact with the sensor.

⚠ Maintenance

- Check and clean the main unit cover thoroughly once a year.
- Change the sensor when no output occurs.

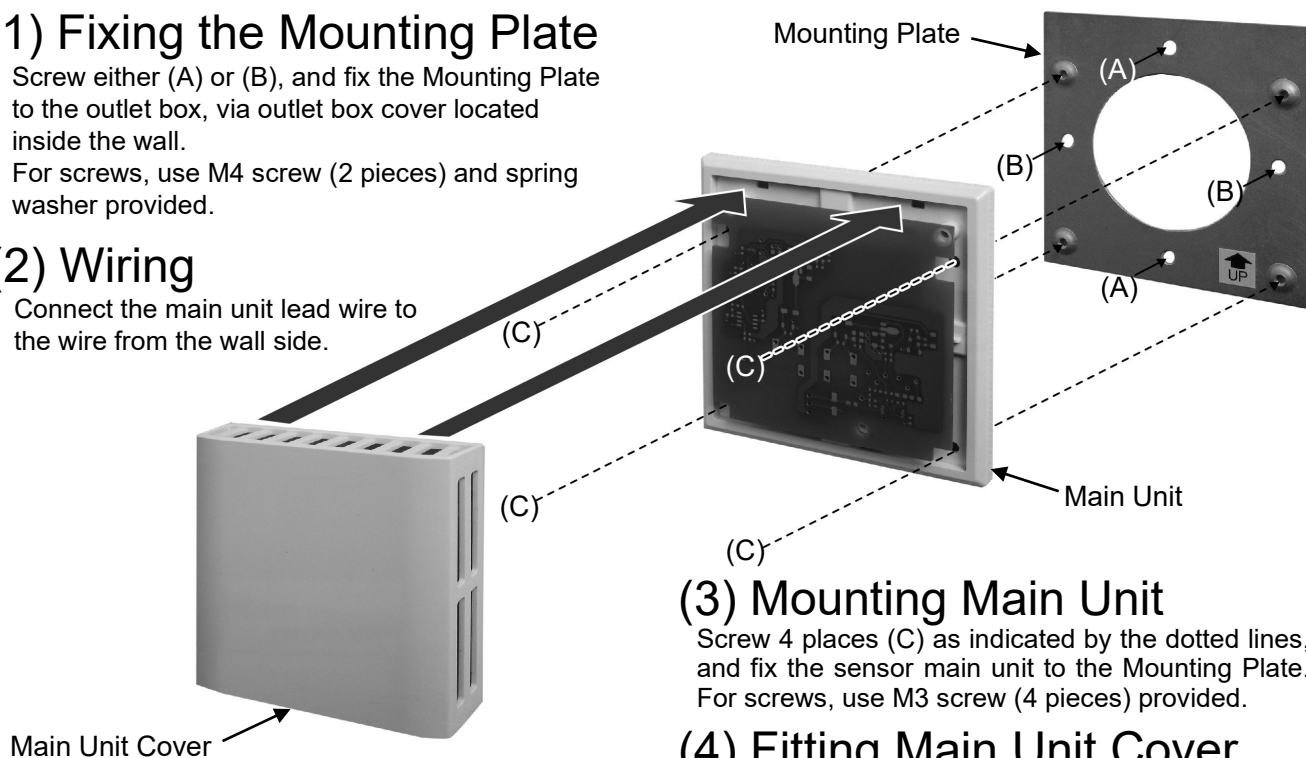
(1) Fixing the Mounting Plate

Screw either (A) or (B), and fix the Mounting Plate to the outlet box, via outlet box cover located inside the wall.

For screws, use M4 screw (2 pieces) and spring washer provided.

(2) Wiring

Connect the main unit lead wire to the wire from the wall side.



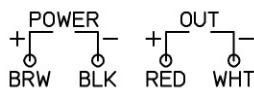
(3) Mounting Main Unit

Screw 4 places (C) as indicated by the dotted lines, and fix the sensor main unit to the Mounting Plate. For screws, use M3 screw (4 pieces) provided.

(4) Fitting Main Unit Cover

Insert the main unit cover protrusion (2 places) into the cover mounting holes (2 places) located on the upper part of the sensor main unit, then fit the cover to the sensor main unit.

3. Wiring



(Fig. 3-1)

Lead Wire Color		Lead Wire Type
BRW: Brown	+	Power supply
BLK: Black	-	
RED: Red	+	Output
WHT: White	-	

4. Operation Checking

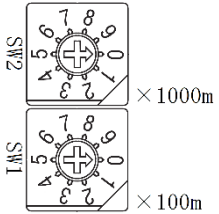
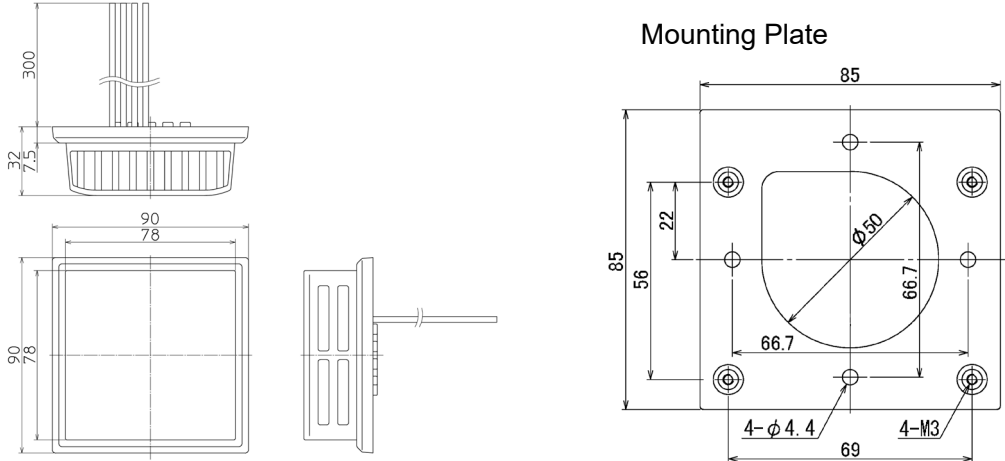
Sensor status and output are described.

(Table 4-1)

Sensor Status	Output
Initial operation	Output low limit value
Sensor is operating normally.	Output low limit to Output high limit
Sensor is out of order.	Output high limit value +10 %FS

5. Specifications

Measurement Range	360 to 2000 ppm, 360 to 5000 ppm (must be specified)	
Output	4 to 20 mA DC, 0 to 20 mA DC, 1 to 5V DC, 0 to 5V DC, 0 to 1V DC (must be specified) [Output of CO₂ Sensor] For each range of CO ₂ concentrations, linearly outputs corresponding to CO ₂ concentration. However, if the measured value is lower than 360 ppm, the value corresponding to 360 ppm will be output.	
	(Fig.1) Measurement range: 360 to 2000 ppm Output: 4 to 20 mA 	
Power Supply Voltage	24 V DC ± 10%	
Measurement Method	Non-dispersive infrared (NDIR)	
Mounting	To the outlet box (inside wall), via outlet box cover: Mounting dimension: 66.7 mm (JIS C8340: 1999) (JIS: Japan Industrial Standards)	
Material	Flame-resistant PC resin, Color: White	
Wiring	Lead wire: 300 mm Cross-section area: 0.5 mm ² See "3. Wiring" for details.	
Performance	Accuracy	±(50 ppm + 3% of measured value). However, 300 ppm or less: ±100 ppm Accuracy described here is the factory default.
	Warm-up period	30 minutes
	Response characteristics	Within 120 seconds

	Atmospheric pressure correction		The atmospheric pressure can be corrected by setting the altitude of the installation site with the Rotary Switch.			
		Setting range	0 to 9900 m above sea level, however, for 2500 m or more of altitude setting, 2550 m is the maximum correction value.			
		Setting unit	100 m			
	Output spec	Output signal	Outputs linearly corresponding to CO ₂ concentration of each range. However, if the measured value is lower than 360 ppm, the value corresponding to 360 ppm will be output.			
		Resolution	0.05 %FS max.			
Allowable load resistance		Output Range	Allowable Load Resistance			
		4 to 20 mA, 0 to 20 mA	550 Ω max.			
	1 to 5 V, 0 to 5 V	5 kΩ minimum				
		0 to 1 V	1 kΩ minimum			
Sensor Correction	One cycle is equivalent to 45 days, and if the measured value drops below 400 ppm in the current cycle, the lowest value in the current cycle will become 400 ppm in the next cycle. and the difference between the lowest value and 400 ppm will be added to all other measured values in the next cycle. If the power supply is turned OFF, the number of days in the cycle will be reset.					
External Dimensions	W90 x H90 x D32 mm (excluding lead wire)					
						
Power Consumption	Approx. 3 W					
Operating Environment	Temperature: 0 to 50°C Humidity: 0 to 95 %RH (Non-condensing)					
Storage Environment	Temperature: -30 to 70°C Humidity: 0 to 95 %RH (Non-condensing)					
Weight	Approx. 100 g					
Insulation Resistance	Between Case - Output: 500 MΩ minimum, at 500 V DC					
Dielectric Strength	Between Case - Output: 1.5 kV for 1 minute, 3 mA max.					
Moisture-Proof Coating	Printed-circuit board inside the main unit (excluding sensor)					
Accessories	Mounting Plate, Mounting Plate screw: M4 x 8 (2 pieces), Spring washer: 2 pieces, Sensor main unit mounting screw: M3 x 4 (4 pieces), Instruction manual: 1 copy					

Inquiries: For any inquiries about this instrument, please contact our agency or the vendor where you purchased the unit after checking the model and serial number. Please let us know the details of the malfunction, or discrepancy, and the operating conditions.

SHINKO TECHNOS CO., LTD. OVERSEAS DIVISION

Head Office: 2-5-1, Senbahigashi, Minoo, Osaka, 562-0035, Japan

[URL] <https://shinko-technos.co.jp/e/>

Tel: +81-72-727-6100

[E-mail] overseas@shinko-technos.co.jp

Fax: +81-72-727-7006