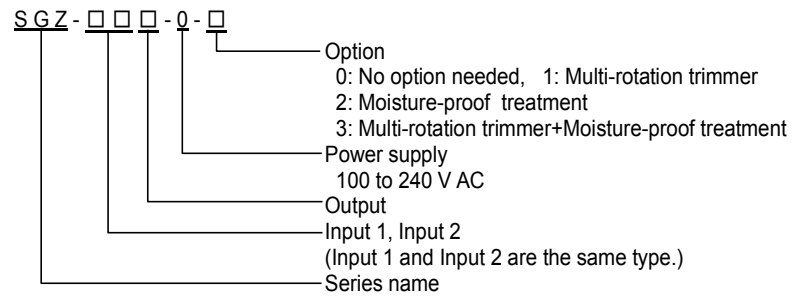


和文は裏面をご覧ください。

# QUICK REFERENCE [Applicable model: SGZ]

## Model Name



(For detailed input/output spec, refer to the full Instruction Manual.)

## Characters

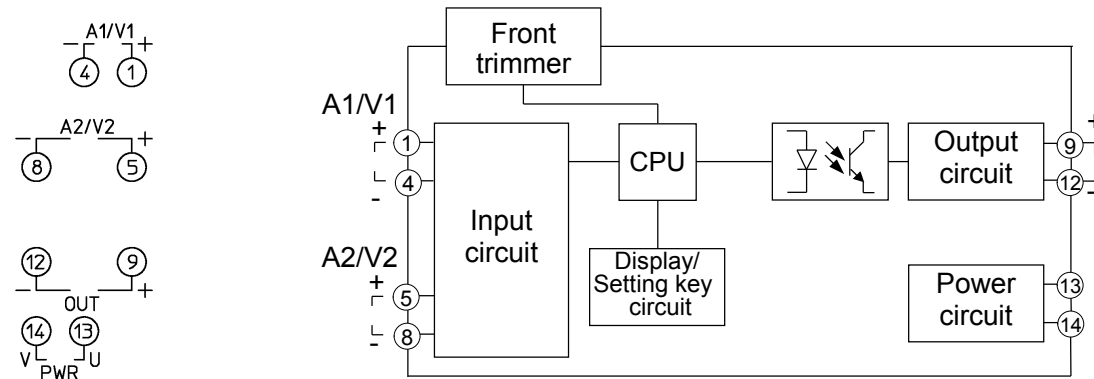
Indication	4	0	1	2	3	4	5	6	7	8	9	C	F
Number, °C/°F	-1	0	1	2	3	4	5	6	7	8	9	°C	°F
Indication	A	B	C	D	E	F	G	H	I	J	K	L	M
Alphabet	A	B	C	D	E	F	G	H	I	J	K	L	M
Indication	N	0	P	Q	R	S	T	U	V	W	X	Y	Z
Alphabet	N	O	P	Q	R	S	T	U	V	W	X	Y	Z

## Selection Item List

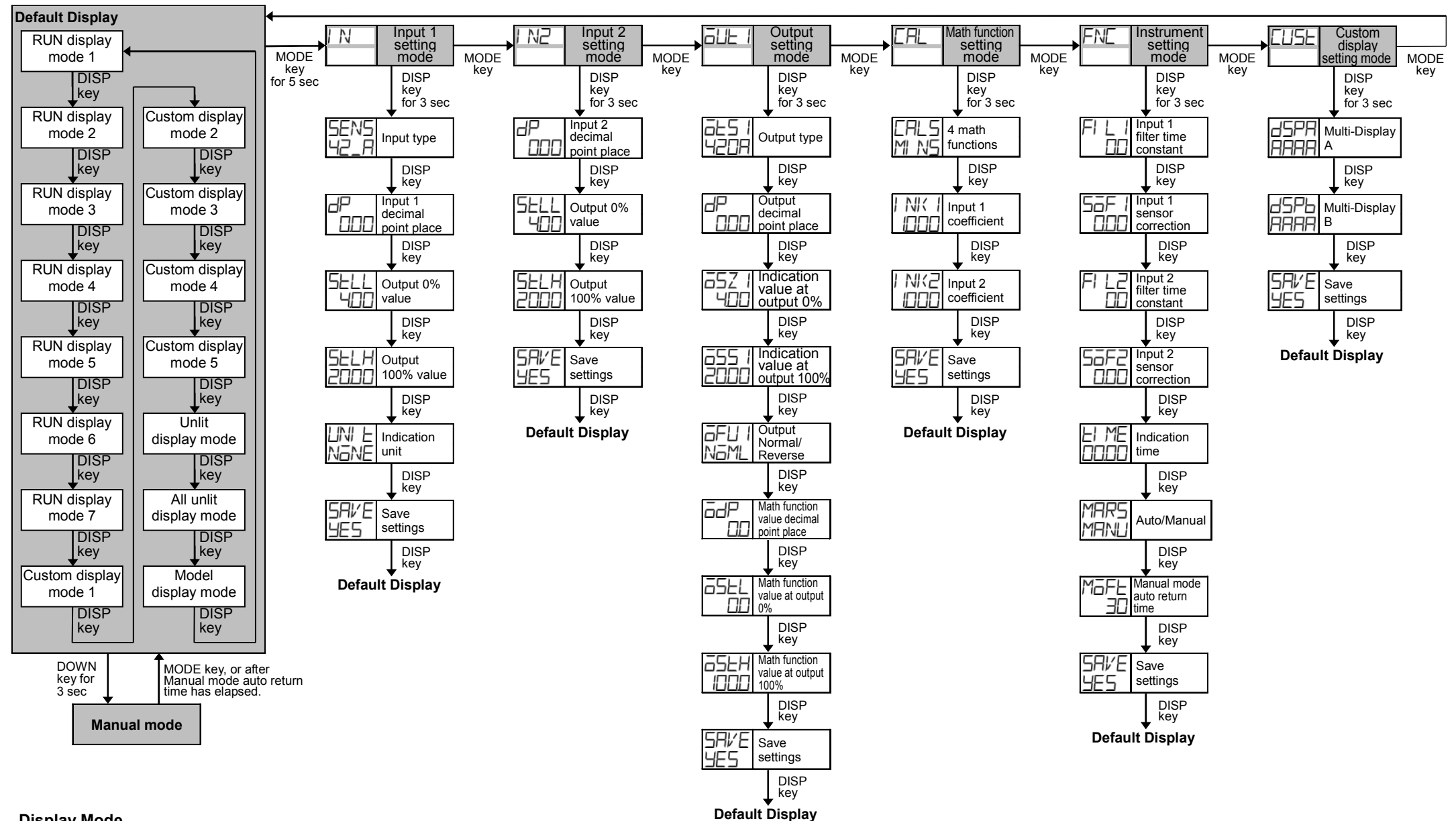
Input type	Input 1, 2 decimal point place	4 math functions	
42_A	4 to 20 mA (Built-in 50 Ω shunt resistor)	0 No decimal point 00 1 digit after point 000 2 digits after point 0000 3 digits after point	PLUS Addition MINUS Subtraction MULTIPLY Multiplication DIVISION Division
42_1	4 to 20 mA (250Ω shunt resistor)		
42_2	4 to 20 mA (50Ω shunt resistor)	Indication unit	(Abbreviation: Input resi.: Input resistance)
020A	0 to 20 mA (250Ω shunt resistor)	NONE No unit PER % MA mA	
016A	0 to 16 mA (62.5Ω shunt resistor)	VOLT V CELS °C	
210A	2 to 10 mA (250Ω shunt resistor)	Save settings	
010A	0 to 10 mA (100Ω shunt resistor)	YES Save NO Not save	
15A	1 to 5 mA (100Ω shunt resistor)	Output type	
01A	0 to 1 mA (1000Ω shunt resistor)	420A 4 to 20 mA 020A 0 to 20 mA 016A 0 to 16 mA 210A 2 to 10 mA	
1050	10 to 50 mA (10Ω shunt resistor)	010A 0 to 10 mA 01mV 0 to 10 mV	
01mV	0 to 10 mV (Input resi. 1 MΩ)	001V 0 to 100 mV 01V 0 to 1 V	
05mV	0 to 50 mV (Input resi. 1 MΩ)	05V 0 to 5 V 15V 1 to 5 V	
06mV	0 to 60 mV (Input resi. 1 MΩ)	010V 0 to 10 V -55V -5 to 5 V	
001V	0 to 100 mV (Input resi. 1 MΩ)	Output decimal point place	
01V	0 to 1 V (Input resi. 1 MΩ)	0 No decimal point 00 1 digit after point 000 2 digits after point 0000 3 digits after point	
05V	0 to 5 V (Input resi. 1 MΩ)	Output Normal/Reverse	
15V	1 to 5 V (Input resi. 1 MΩ)	NOML Normal REVS Reverse	
-55V	-5 to 5 V (Input resi. 1 MΩ)	Math function value decimal point place	
010V	0 to 10 V (Input resi. 1 MΩ)	0 No decimal point 00 1 digit after point 000 2 digits after point 0000 3 digits after point	
-10V	-10 to 10 V (Input resi. 1 MΩ)		

No.SGZ12JE1 2018.10

## Terminal Arrangement Circuit Configuration



## Key Operation Flowchart



### Display Mode

- For the details of the display mode, refer to the full Instruction Manual.

### Default Display

- If the MODE and DISP keys (in that order) are pressed together for approx. 3 seconds in any display mode, the display mode will become the Default Display
- Once the Default Display is set, the DISP key will be in lock status.
- If the DISP key is pressed for approx. 3 seconds, the key lock status will be cancelled.
- If the DISP key is pressed while the DISP key is in lock status, Multi-Display A will indicate LOCK.

### Setting Mode

- If the MODE key is pressed for approx. 5 seconds in each setting mode, the unit will move to the Default Display.