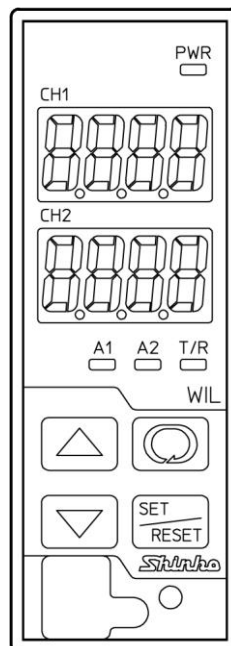


Plug-in Type
Digital Indicating Conductivity Meter
WIL-102-ECH (High Concentration)
Instruction Manual



Shinho

Preface

Thank you for purchasing our WIL-102-ECH (High Concentration), Plug-in Type Digital Indicating Conductivity Meter.

This manual contains instructions for the mounting, functions, operations and notes when operating the WIL-102-ECH. To ensure safe and correct use, thoroughly read and understand this manual before using this instrument. To prevent accidents arising from the misuse of this instrument, please ensure the operator receives this manual.

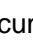
Characters Used in This Manual


Indication	-1	0	1	2	3	4	5	6	7	8	9	°C	°F
Number, °C/°F	-1	0	1	2	3	4	5	6	7	8	9	°C	°F
Indication	A	B	C	D	E	F	G	H	I	J	K	L	M
Alphabet	A	B	C	D	E	F	G	H	I	J	K	L	M
Indication	N	O	P	Q	R	S	T	U	V	W	X	Y	Z
Alphabet	N	O	P	Q	R	S	T	U	V	W	X	Y	Z


Caution

- This instrument should be used in accordance with the specifications described in the manual. If it is not used according to the specifications, it may malfunction or cause a fire.
- Be sure to follow all of the warnings, cautions and notices. If they are not observed, serious injury or malfunction may occur.
- The contents of this instruction manual are subject to change without notice.
- Care has been taken to ensure that the contents of this instruction manual are correct, but if there are any doubts, mistakes or questions, please inform our sales department.
- This instrument is designed to be installed on a DIN rail within a control panel indoors. If it is not, measures must be taken to ensure that the operator cannot touch power terminals or other high voltage sections.
- Any unauthorized transfer or copying of this document, in part or in whole, is prohibited.
- Shinko Technos CO., LTD. is not liable for any damage or secondary damage(s) incurred as a result of using this product, including any indirect damage.

Safety Precautions (Be sure to read these precautions before using our products.)

The safety precautions are classified into 2 categories: "Warning" and "Caution". Depending on the circumstances, procedures indicated by  Caution may result in serious consequences, so be sure to follow the directions for usage.

 **Warning** Procedures which may lead to dangerous conditions and cause death or serious injury, if not carried out properly.

 **Caution** Procedures which may lead to dangerous conditions and cause superficial to medium injury or physical damage or may degrade or damage the product, if not carried out properly.

Warning

- To prevent an electrical shock or fire, only Shinko or other qualified service personnel may handle the inner assembly.
- To prevent an electrical shock, fire or damage to the instrument, parts replacement may only be undertaken by Shinko or other qualified service personnel.



SAFETY PRECAUTIONS

- To ensure safe and correct use, thoroughly read and understand this manual before using this instrument.
- This instrument is intended to be used for measuring equipment. Verify correct usage after purpose-of-use consultation with our agency or main office. (Never use this instrument for medical purposes with which human lives are involved.)
- External protection devices such as protective equipment against excessive temperature rise, etc. must be installed, as malfunction of this product could result in serious damage to the system or injury to personnel. Proper periodic maintenance is also required.
- This instrument must be used under the conditions and environment described in this manual. Shinko Technos Co., Ltd. does not accept liability for any injury, loss of life or damage occurring due to the instrument being used under conditions not otherwise stated in this manual.

Meaning of Warning Message on Model Label



Caution

If do not handle this instrument correctly, may suffer minor or moderate injury or property damage due to fire, malfunction, or electric shock. Please read this manual carefully and fully understand it before using it.



Caution with Respect to Export Trade Control Ordinance

To avoid this instrument from being used as a component in, or as being utilized in the manufacture of weapons of mass destruction (i.e. military applications, military equipment, etc.), please investigate the end users and the final use of this instrument. In the case of resale, ensure that this instrument is not illegally exported.

PRECAUTIONS

1. Installation Precautions



Caution

This instrument is intended to be used under the following environmental conditions (IEC61010-1):

- Overvoltage category II, Pollution degree 2

Ensure the mounting location corresponds to the following conditions:

- A minimum of dust, and an absence of corrosive gases
- No flammable, explosive gases
- No mechanical vibrations or shocks
- No exposure to direct sunlight, an ambient temperature of 0 to 50°C (32 to 122°F) that does not change rapidly, and no icing
- An ambient non-condensing humidity of 35 to 85 %RH
- No large capacity electromagnetic switches or cables through which large current is flowing
- No water, oil, chemicals or the vapors of these substances can come into direct contact with the unit
- If the WIL-102-ECH is installed within a control panel, the ambient temperature of the unit – not the ambient temperature of the control panel – must be kept under 50°C. Otherwise the life of electronic parts (especially electrolytic capacitors) of the unit will be shortened.

Note: Do not install this instrument on or near flammable material even though the case of this instrument is made of flame-resistant resin.

2. Wiring Precautions

Caution

- Do not leave wire remnants in the instrument, as they could cause a fire and/or a malfunction.
- Use a solderless terminal with an insulation sleeve in which the M3 screw fits when wiring the WIL-102-ECH.
- Tighten the terminal screw using the specified torque. If excessive force is applied to the screw when tightening, the terminal screw may be damaged.
- This instrument does not have a built-in power switch, circuit breaker and fuse. It is necessary to install a power switch, circuit breaker and fuse near the instrument. (Recommended fuse: Time-lag fuse, rated voltage 250 V AC, rated current 2 A)
- For a 24 V AC/DC power source, do not confuse polarity when using direct current (DC).
- Do not apply a commercial power source to the sensor which is connected to the input terminal nor allow the power source to come into contact with the sensor.
- Use the 4-electrode Conductivity Sensor in accordance with the sensor input specifications of the WIL-102-ECH.
- Keep the input wires and power lines separate.

Note about the 4-Electrode Conductivity Sensor Cable

The 4-electrode Conductivity Sensor cable is a highly-insulated (electrical) cable. Please handle it with utmost care as follows.

- Do not allow terminals and socket of the 4-electrode Conductivity Sensor cable to come in contact with moisture or oil of any kind. Likewise, ensure fingers are clean, otherwise the insulation will deteriorate, resulting in unstable indication.

Be sure to keep the cable dry and clean at all times.

If the cable is stained, clean it with alcohol, and dry it completely.

- For calibration or electrode checking/replacement, the 4-electrode Conductivity Sensor cable should be wired with sufficient length.
- Keep the 4-electrode Conductivity Sensor cable and junction cable away from electrical devices, such as motors or their power lines from which inductive interference emanates.

Connection

The 4-electrode Conductivity Sensor cable has the following terminals.

Code	Terminal
1	Conductivity sensor terminal 1
2	Conductivity sensor terminal 2
3	Conductivity sensor terminal 3
4	Conductivity sensor terminal 4
A, B (T, T)	Temperature compensation sensor terminals [Pt100 (2-wire), Pt1000] 5-6
A, B, B	Temperature compensation sensor terminals [Pt100 (3-wire)] 5-6-7
E	Shield wire terminal 8

For the electrode with no temperature compensation, A, B (T, T) or A, B, B cables are not available. E cables are available depending on the sensor type.

During operation, the Conductivity/Temperature Display may become abnormal or unstable due to inductive interference or noise. In this case, try [Grounding of shield wire terminal (E) (P.77)].

3. Operation and Maintenance Precautions

Caution

- Do not touch live terminals. This may cause an electrical shock or problems in operation.
- Turn the power supply to the instrument OFF when retightening the terminal or cleaning. Working on or touching the terminal with the power switched ON may result in severe injury or death due to electrical shock.
- Use a soft, dry cloth when cleaning the instrument. (Alcohol based substances may tarnish or deface the unit.)
- As the display section is vulnerable, be careful not to put pressure on, scratch or strike it with a hard object.

4. Compliance with Safety Standards



Caution

- Always install the recommended fuse described in this manual externally.
- If the instrument is used in a manner not specified by the manufacturer, the protection provided by the instrument may be impaired.
- Use equipment that is reinforced-insulated or double-insulated from the primary power supply for external circuits connected to this instrument.
- When using this product as a UL certified product, use a power supply conforming to Class 2 or LIM for the external circuit connected to the product.

Contents

1. Model	7
1.1 Model.....	7
1.2 How to Read the Model Label	7
2. Names and Functions of Instrument.....	8
3. Mounting to the Control Panel.....	9
3.1 Site Selection	9
3.2 External Dimensions (Scale: mm)	9
3.3 Mounting.....	9
4. Removal	11
5. Wiring	12
5.1 Lead Wire Solderless Terminal	13
5.2 Terminal Arrangement.....	13
5.3 Wire the Communication Line.	14
6. Outline of Key Operation and Setting Groups	16
6.1 Outline of Key Operation	16
6.2 Setting Groups	16
7. Key Operation Flowchart.....	18
8. Setup.....	20
8.1 Turn the Power Supply ON.....	20
8.2 Conductivity Input Group.....	20
8.3 Temperature Input Group	30
8.4 Basic Function Group	31
9. Calibration	39
9.1 Conductivity Calibration Mode.....	39
9.2 Temperature Calibration Mode	41
9.3 Transmission Output 1 Adjustment Mode.....	42
9.4 Transmission Output 2 Adjustment Mode.....	43
10. Measurement	44
10.1 Starting Measurement	44
10.2 A□□ Output.....	44
10.3 Conductivity Input Error Alarm	45
10.4 Error Output.....	45
10.5 Fail Output.....	45
10.6 Error Code during Measurement.....	45
10.7 Transmission Output 1 and 2.....	45
11. Communication.....	46
11.1 System Configuration Example.....	46

11.2 Setting Method of the Conductivity Meter	47
11.3 Communication Procedure	48
11.4 Shinko Protocol.....	49
11.4.1 Transmission Mode	49
11.4.2 Command Configuration.....	49
11.4.3 Checksum Calculation	50
11.5 MODBUS Protocol.....	51
11.5.1 Transmission Mode	51
11.5.2 Data Communication Interval	51
11.5.3 Message Configuration.....	51
11.5.4 Message Example	53
11.6 Communication Command Table.....	55
11.6.1 Notes about Setting/Reading Command	55
11.6.2 Setting/Reading Command.....	56
11.6.3 Read Only Command	62
11.7 Conductivity & Temperature Calibrations, Transmission Output 1 & 2 Adjustments	64
via Communication Command.....	64
11.7.1 Conductivity Calibration	64
11.7.2 Temperature Calibration	65
11.7.3 Transmission Output 1 Adjustment.....	65
11.7.4 Transmission Output 2 Adjustment.....	66
11.8 Notes on Programming Monitoring Software	67
11.8.1 How to Speed up the Scan Time	67
11.8.2 How to Read the Set Value Changes Made by Front Keypad Operation	67
11.8.3 Note when Sending All Set Values Simultaneously	67
12. Specifications	68
12.1 Standard Specifications.....	68
12.2 Optional Specifications	73
13. Troubleshooting.....	77
13.1 Indication	77
13.2 Key Operation	78
13.3 Communication	78
14. Temperature Compensation Method	79
14.1 Temperature Compensation Based on the Temperature Characteristics of NaCl.....	79
14.2 How to Input Temperature Coefficient	79
15. Character Tables	81

1. Model

1.1 Model

WIL-10	2	-EC	H			
Input Points	2					2 points
Input	EC					4-electrode Conductivity Sensor (Temperature element: Pt100) (*1)
						4-electrode Conductivity Sensor (Temperature element: Pt1000) (*1)
Concentration			H			High concentration
Power Supply Voltage						100 to 240 V AC (standard)
			1			24 V AC/DC (*2)
Option				EVT		A□□ output (A11, A12, A21, A22)
				TA		Transmission output 1 (*3)
				TA2		Transmission output 1, Transmission output 2

(*1) This input temperature specification was specified at the time of ordering.

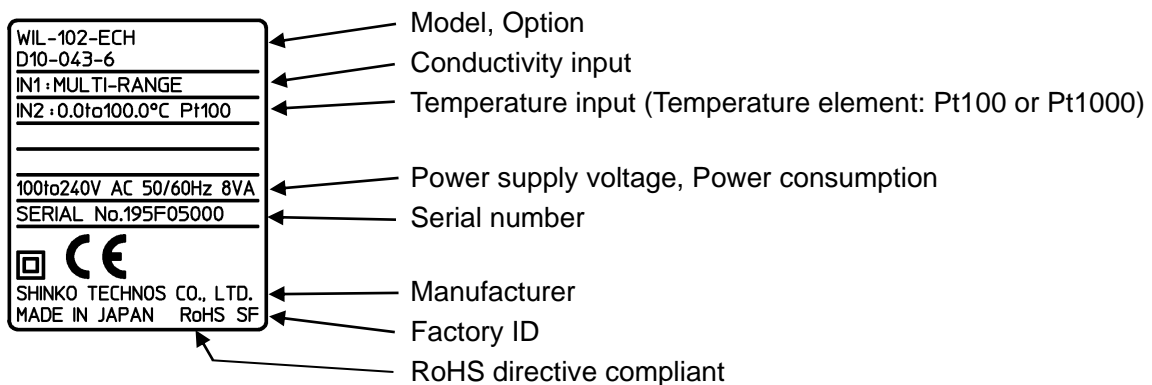
(*2) Power supply voltage 100 to 240 V AC is standard.

When ordering 24 V AC/DC, enter "1" in Power supply voltage after 'ECH'.

(*3) If TA option is ordered, the EVT option (A1 output only) will be added.

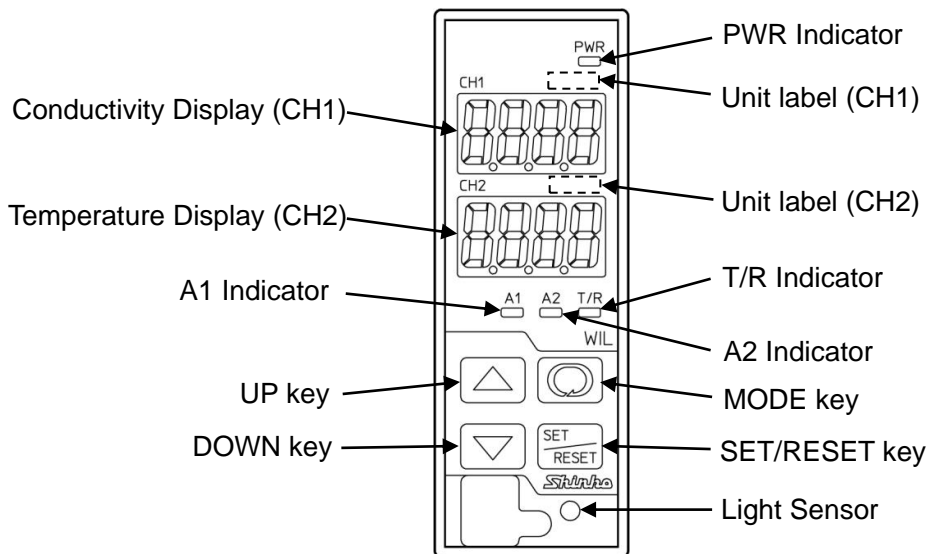
1.2 How to Read the Model Label

The model label is attached to the left side of the case.



(Fig. 1.2-1)

2. Names and Functions of Instrument



(Fig. 2-1)

Displays





Conductivity Display (CH1)	Conductivity, or characters in setting mode are indicated in red. Indications differ depending on the selections in [Display selection (p.34)].
Temperature Display (CH2)	Temperature, or values in setting mode are indicated in red. Indications differ depending on the selections in [Display selection (p.34)].

Unit label (CH1)	Attach the user's unit of Conductivity Display (CH1) from the included unit labels if necessary.
Unit label (CH2)	Attach the user's unit of Temperature Display (CH2) from the included unit labels if necessary.

Action Indicators

PWR Indicator	When power supply to the instrument is turned ON, the yellow LED lights.
A1 Indicator	When A1 output (Contact output 1) is ON, the red LED lights. (Unlit if TA2 option is ordered.)
A2 Indicator	When A2 output (Contact output 2) is ON, the yellow LED lights. (Unlit if TA option or TA2 option is ordered.)
T/R Indicator	The yellow LED lights during Serial communication TX output (transmitting).

Key

 UP key	Increases the numeric value.
 DOWN key	Decreases the numeric value.
 MODE key	Selects a setting group.
 SET/RESET key	Switches the setting modes, and registers the set value.

Light Sensor	Automatically measures and controls brightness of the Conductivity Display, Temperature Display and Action indicators.
---------------------	--

⚠ Notice

When setting the specifications and functions of this instrument, connect mains power cable to terminals 13 and 14 first, then set them referring from "6. Outline of Key Operation and Setting Groups" to "8. Setup (pp.16 to 38)" before performing "3. Mounting to the Control Panel (p.9)" and "5. Wiring (p.12)".

3. Mounting to the Control Panel

3.1 Site Selection



Caution

Use within the following temperature and humidity ranges.

Temperature: 0 to 50°C (32 to 122°F) (No icing), Humidity: 35 to 85 %RH (Non-condensing)

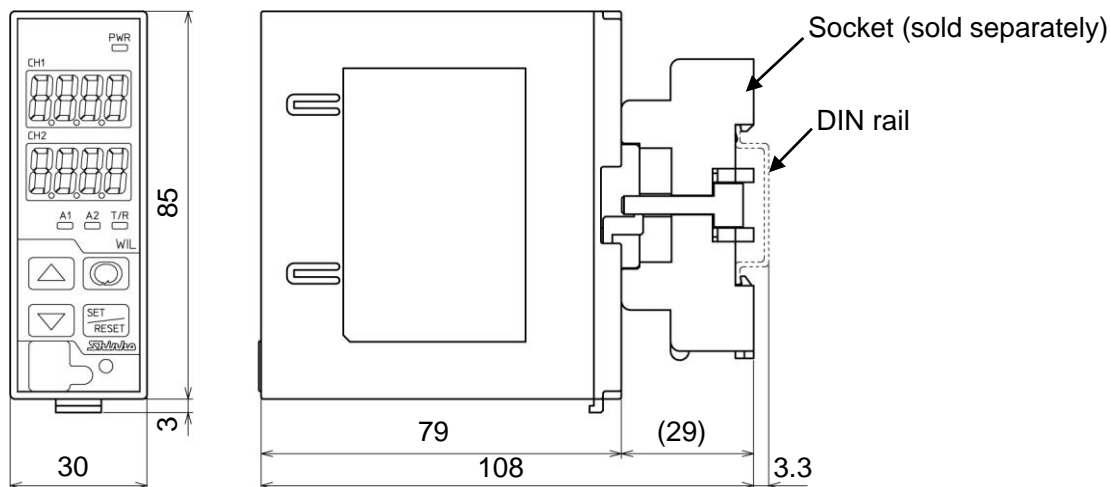
If the WIL-102-ECH is installed within a control panel, the ambient temperature of the unit – not the ambient temperature of the control panel – must be kept under 50°C. Otherwise the life of electronic parts (especially electrolytic capacitors) of the unit will be shortened.

This instrument is intended to be used under the following environmental conditions (IEC61010-1): Overvoltage category II, Pollution degree 2

Ensure the mounting location corresponds to the following conditions:

- A minimum of dust, and an absence of corrosive gases
- No flammable, explosive gases
- No mechanical vibrations or shocks
- No exposure to direct sunlight, an ambient temperature of 0 to 50°C (32 to 122°F) that does not change rapidly
- An ambient non-condensing humidity of 35 to 85 %RH
- No large capacity electromagnetic switches or cables through which large current is flowing
- No water, oil, chemicals or the vapors of these substances can come into direct contact with the unit

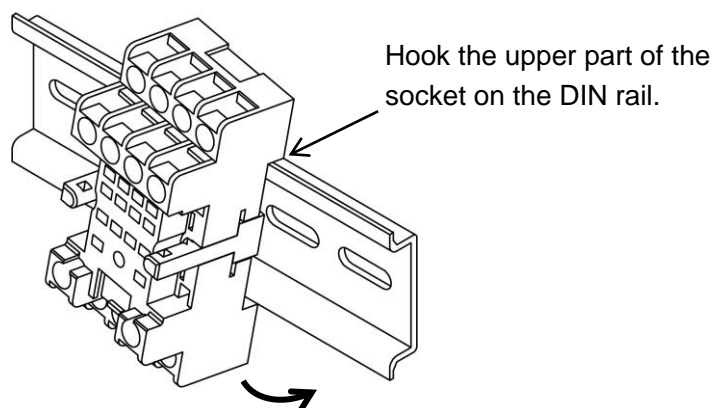
3.2 External Dimensions (Scale: mm)



(Fig. 3.2-1)

3.3 Mounting

(1) Hook the upper part of the socket on the DIN rail, and mount it (A clicking sound is heard).

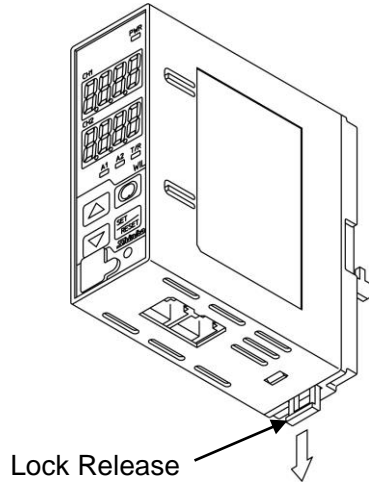


(Fig. 3.3-1)

! Caution

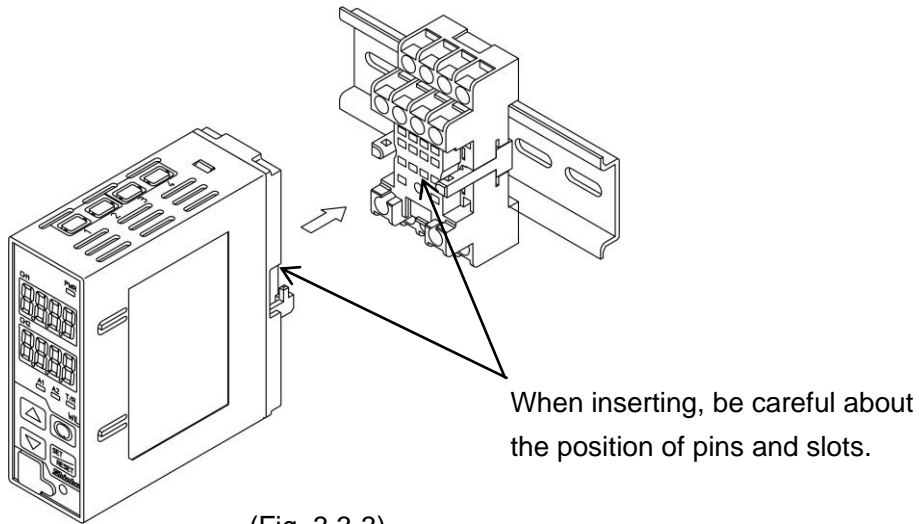
Before inserting the WIL-102-ECH into the socket, wire the unit. Refer to Section "5. Wiring" (p.12).

(2) Check that the Lock Release has been lowered.



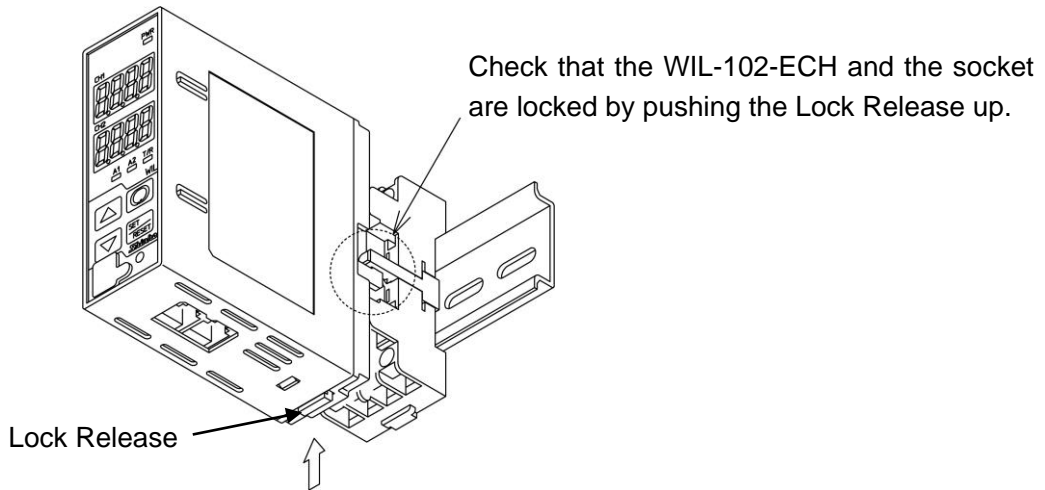
(Fig. 3.3-2)

(3) Insert the WIL-102-ECH into the socket.



(Fig. 3.3-3)

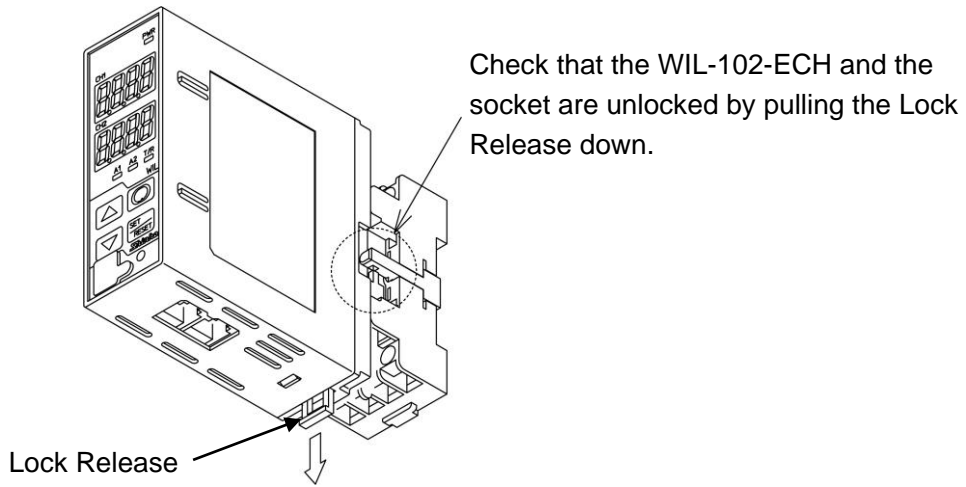
(4) Fix the WIL-102-ECH and the socket by pushing the Lock Release up.



(Fig. 3.3-4)

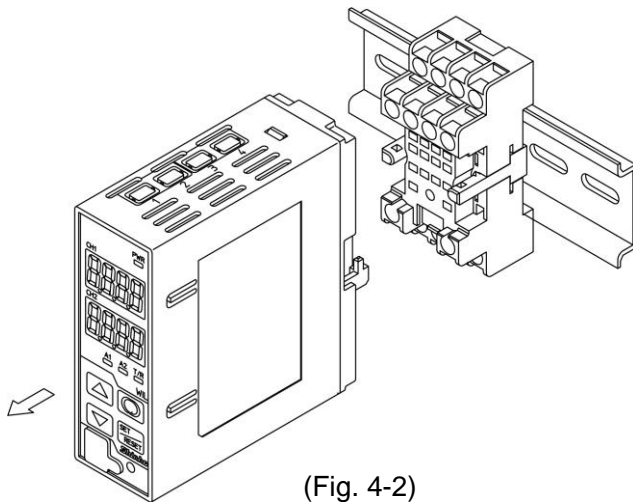
4. Removal

- (1) Turn the power supply to the unit OFF.
- (2) Pull the Lock Release down, and release the WIL-102-ECH from the socket.



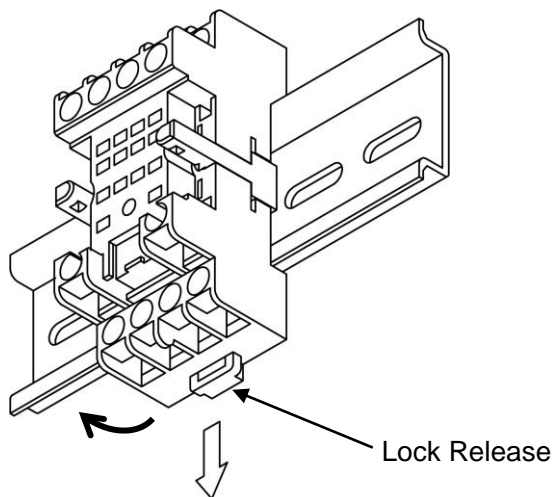
(Fig. 4-1)

- (3) Separate the WIL-102-ECH from the socket.



(Fig. 4-2)

- (4) Remove the socket from the DIN rail by pulling the socket Lock Release (at the bottom of the socket) down.



(Fig. 4-3)

5. Wiring

Warning

Turn the power supply to the instrument off before wiring or checking.

Working on or touching the terminal with the power switched on may result in severe injury or death due to electrical shock.

Caution

- Do not leave wire remnants in the instrument, as they could cause a fire or a malfunction.
- Use a solderless terminal with an insulation sleeve in which the M3 screw fits when wiring the unit.
- Tighten the terminal screw using the specified torque. If excessive force is applied to the screw when tightening, the terminal screw may be damaged.
- This instrument does not have a built-in power switch, circuit breaker and fuse.
It is necessary to install a power switch, circuit breaker and fuse near the instrument.
(Recommended fuse: Time-lag fuse, rated voltage 250 V AC, rated current 2 A)
- For a 24 V AC/DC power source, do not confuse polarity when using direct current (DC).
- Do not apply a commercial power source to the sensor which is connected to the input terminal nor allow the power source to come into contact with the sensor.
- Use the 4-electrode Conductivity Sensor in accordance with the sensor input specifications of this unit.
- Keep the input wires and power lines separate.

Note about the 4-Electrode Conductivity Sensor Cable

The 4-electrode Conductivity Sensor cable is a highly-insulated (electrical) cable. Please handle it with utmost care as follows.

- Do not allow terminals and socket of the 4-electrode Conductivity Sensor cable to come in contact with moisture or oil of any kind. Likewise, ensure fingers are clean, otherwise the insulation will deteriorate, resulting in unstable indication.
Be sure to keep the cable dry and clean at all times.
If the cable is stained, clean it with alcohol, and dry it completely.
- For calibration or electrode checking/replacement, the 4-electrode Conductivity Sensor cable should be wired with sufficient length.
- Keep the 4-electrode Conductivity Sensor cable and junction cable away from electrical devices, such as motors or their power lines from which inductive interference emanates.

Connection

The 4-electrode Conductivity Sensor cable has the following terminals.

Code	Terminal
1	Conductivity sensor terminal 1
2	Conductivity sensor terminal 2
3	Conductivity sensor terminal 3
4	Conductivity sensor terminal 4
A, B (T, T)	Temperature compensation sensor terminals [Pt100 (2-wire), Pt1000] 5-6
A, B, B	Temperature compensation sensor terminals [Pt100 (3-wire)] 5-6-7
E	Shield wire terminal 8

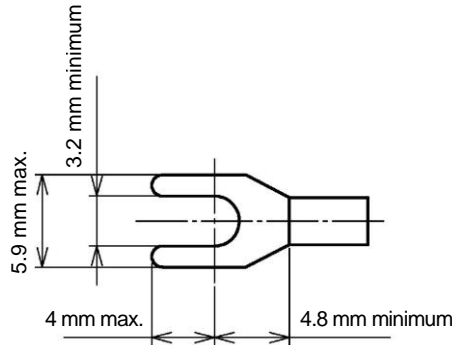
For the electrode with No Temperature Compensation, A, B (T, T) or A, B, B cables are not available. E cables are available depending on the sensor type.

During operation, the Conductivity/Temperature Display may become abnormal or unstable due to inductive interference or noise. In this case, try [Grounding of shield wire terminal (E) (P.77)].

5.1 Lead Wire Solderless Terminal

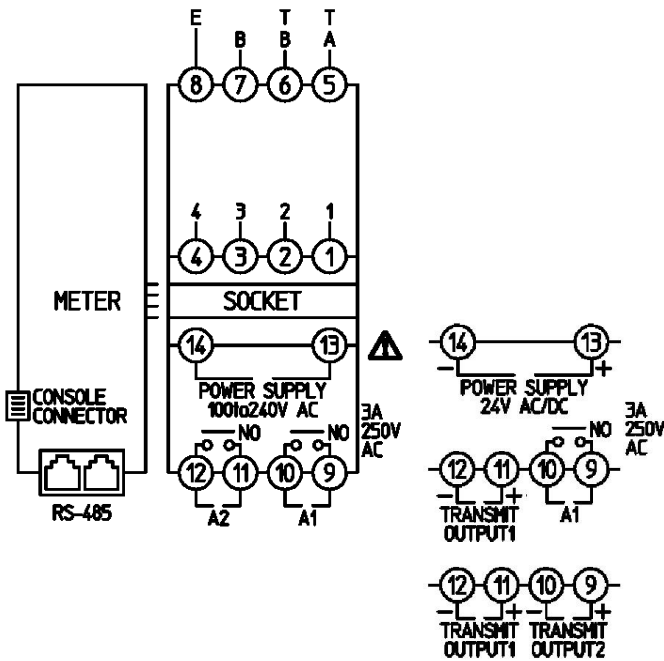
Use a solderless terminal with an insulation sleeve in which an M3 screw fits as follows.
The tightening torque should be 0.63 N·m.

Solderless Terminal	Manufacturer	Model
Y-type	NICHIFU TERMINAL INDUSTRIES CO., LTD.	TMEX1.25Y-3S



(Fig. 5.1-1)

5.2 Terminal Arrangement



Modular Jack Pin (WIL-102-ECH side arrangement)

No. 1		No. 1	COM
No. 6		No. 2	NC
No. 1		No. 3	YB(+)
No. 6		No. 4	YA(-)
RS-485		No. 5	NC
		No. 6	COM

(Fig. 5.2-1)

1, 2, 3, 4: Conductivity sensor terminals 1, 2, 3, 4
 (①-②-③-④)

A, B: Temperature compensation sensor terminals
 (T, T) (⑤-⑥)

Temperature element: Pt100 (2-wire type),
 Pt1000

A, B, B: Temperature compensation sensor terminals
 (⑤-⑥-⑦)

Temperature element: Pt100 (3-wire type)

E: Shield wire terminal (⑧)

When EVT option is ordered:

A1: A1 output terminals (⑨-⑩)

A2: A2 output terminals (⑪-⑫)

When TA option is ordered:

A1: A1 output terminals (⑨-⑩)

TRANSMIT OUTPUT 1:

Transmission output 1 terminals (⑪-⑫)

When TA2 option is ordered:

TRANSMIT OUTPUT2:

Transmission output 2 terminals (⑨-⑩)

TRANSMIT OUTPUT1 :

Transmission output 1 terminals (⑪-⑫)

POWER SUPPLY:

Power terminals (⑬-⑭)

24 V AC/DC (When "1" is added after
 model name.)

RS-485: Serial Communication modular jack

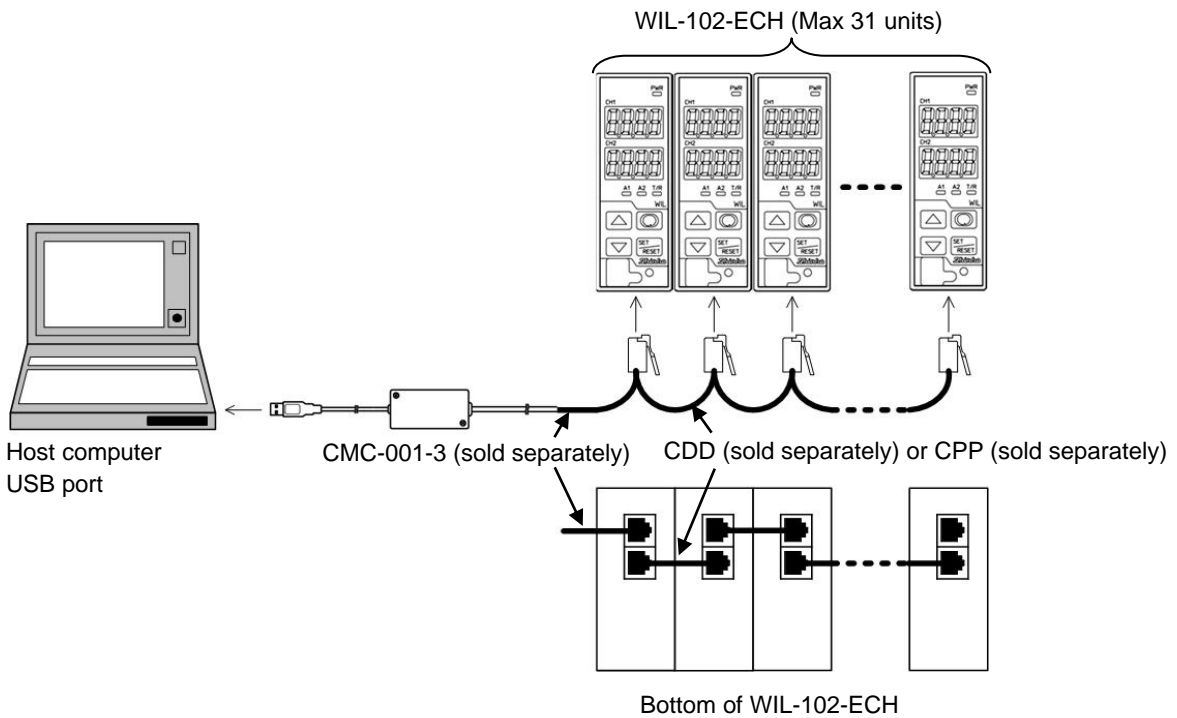
When no option is ordered:

A1, A2, TRANSMIT OUTPUT1,
 TRANSMIT OUTPUT2 terminals are
 not equipped.

5.3 Wire the Communication Line.

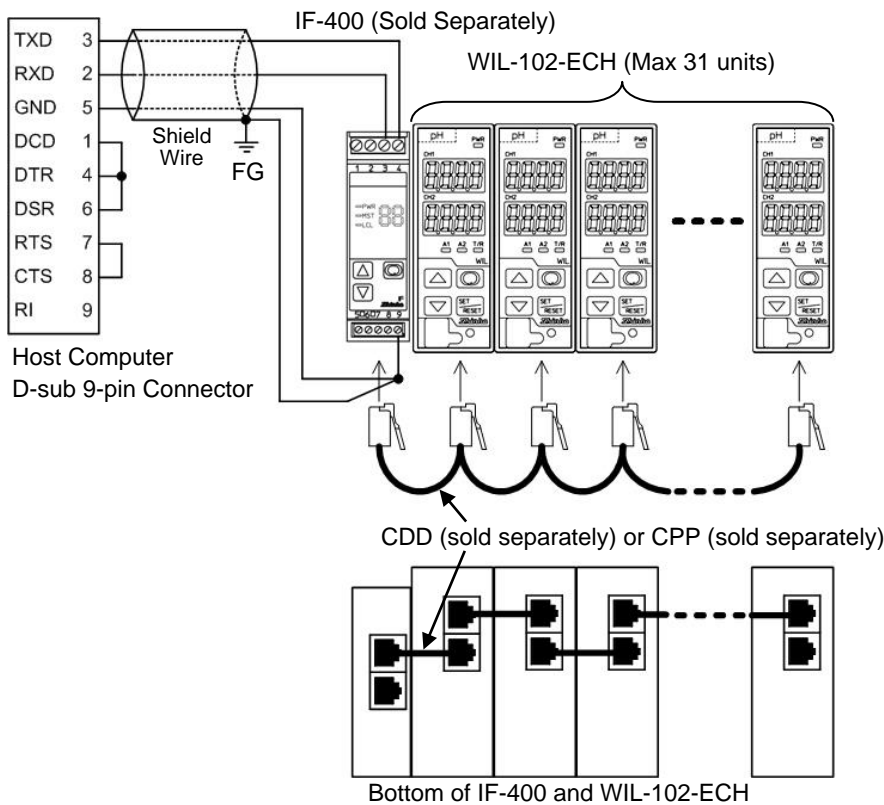
Connect to the modular jack at the bottom of the instrument, using CDD (sold separately) or CPP (sold separately).

- **Wiring Example Using a USB Communication Cable CMC-001-3 (sold separately)**



(Fig. 5.3-1)

- **Wiring Example Using a Communication Converter IF-400**



(Fig. 5.3-2)

Shield Wire

Be sure to ground only one end of the shield wire so that current cannot flow to the shield wire.

If both ends of the shield wire are grounded, the circuit will be closed, resulting in a ground loop.

This may cause noise.

Be sure to ground the FG.

Recommended cable: OTSC-VB 2PX0.5SQ (made by Onamba Co., Ltd.) or equivalent

(Use a twisted pair cable.)

Terminator (Terminal Resistor)





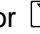

The terminator is mounted at the end of the wire when connecting multiple peripheral devices to a personal computer. The terminator prevents signal reflection and disturbance.

Do not connect a terminator to the communication line because each WIL-102-ECH has built-in pull-up and pull-down resistors.

Communication converter IF-400 (sold separately) has a built-in terminal resistor.

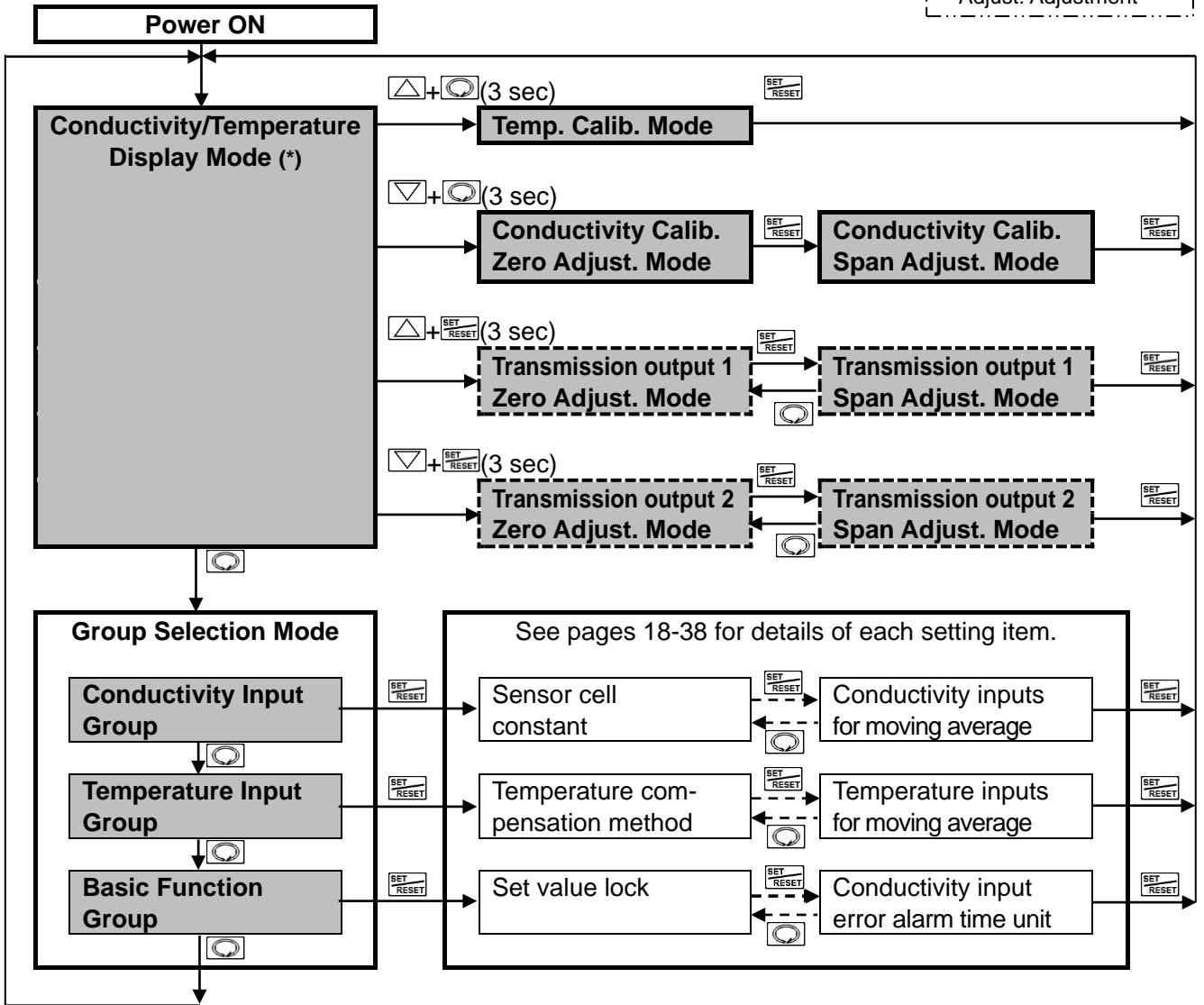
6. Outline of Key Operation and Setting Groups

6.1 Outline of Key Operation

Setting items are divided into groups, and group selection has to be made with keypads.
 Press the  key in Conductivity/Temperature Display Mode. The unit enters Group Selection mode.
 Select a group with the  key, and press the  key. The unit enters each setting item.
 To set each item, use the  or  key, and register the set value with the  key.

6.2 Setting Groups

Abbreviations:
 Temp.: Temperature
 Calib.: Calibration
 Adjust: Adjustment



(*) Indicates the item selected in [Display selection (p.34)] in Conductivity/Temperature Display Mode.



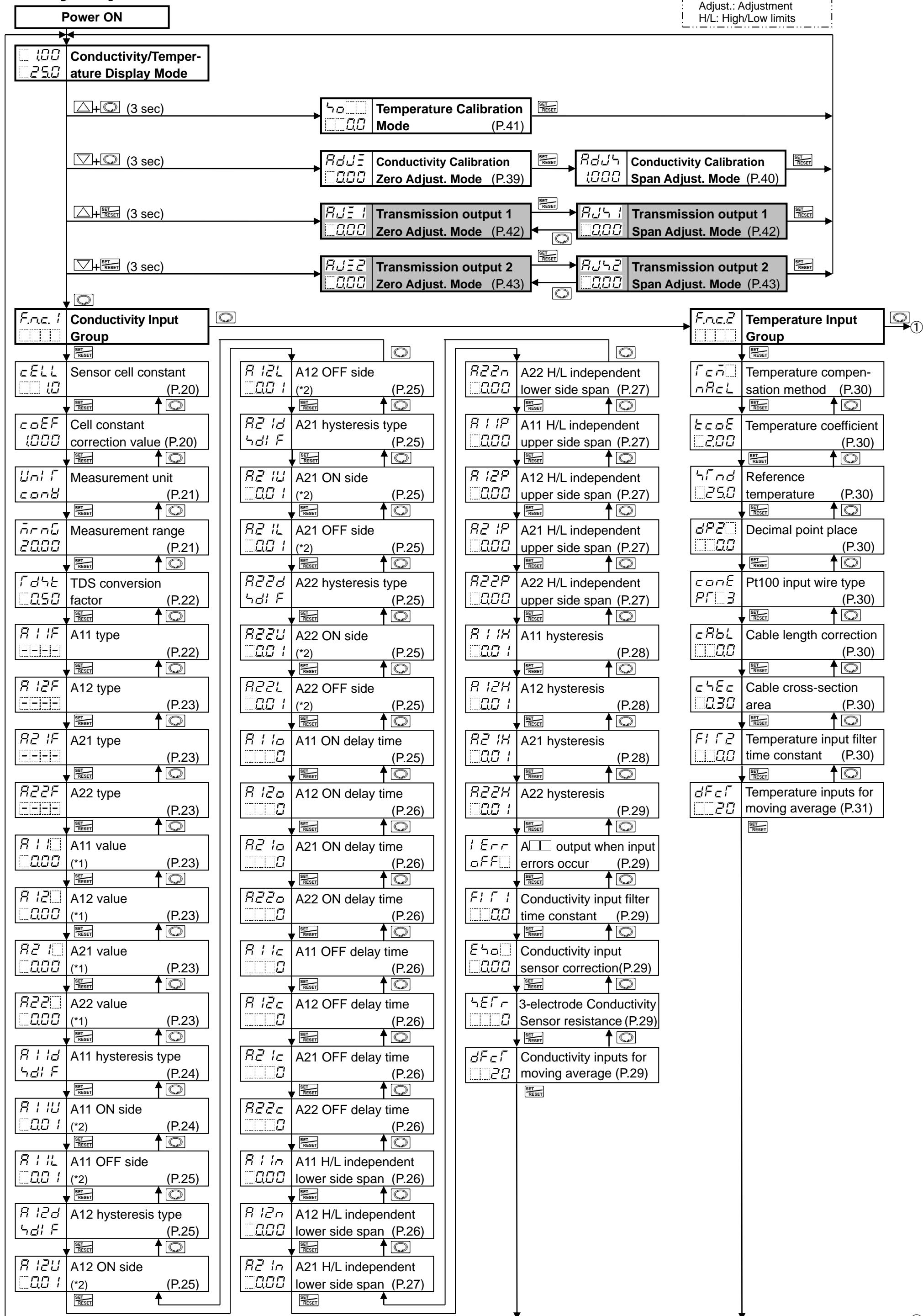
Available when the TA option or TA2 option is ordered.

Key Operation

- + (3 sec): Press and hold the key and key (in that order) together for 3 seconds.
The unit will proceed to Temperature Calibration Mode.
- + (3 sec): Press and hold the key and key (in that order) together for 3 seconds.
The unit will proceed to Conductivity Calibration Zero Adjustment Mode.
- + (3 sec): Press and hold the key and key (in that order) together for 3 seconds.
The unit enters Transmission Output 1 Zero Adjustment Mode.
- + (3 sec): Press and hold the key and key (in that order) together for 3 seconds.
The unit enters Transmission Output 2 Zero Adjustment Mode.
- , : Press the or key. The unit will enter the next setting item, illustrated by an arrow.
- or : Press the or key until the desired setting mode appears.
- To revert to Conductivity/Temperature Display Mode, press and hold the key for 3 seconds while in any mode.

7. Key Operation Flowchart

Abbreviations:
 Adjust.: Adjustment
 H/L: High/Low limits



● About Setting Items

cELL 0.10	Sensor cell constant (P.20)
Tr01 Ec	Transmission output 1 type (P.32)

- **Upper left:** Conductivity Display: Indicates the setting item characters.
- **Lower left:** Temperature Display: Indicates the factory default.
- **Right side:** Indicates the setting item and reference page.

Setting item in shaded section will be displayed only when the corresponding option is ordered.

If the TA option is added, A2 related setting items are not available.

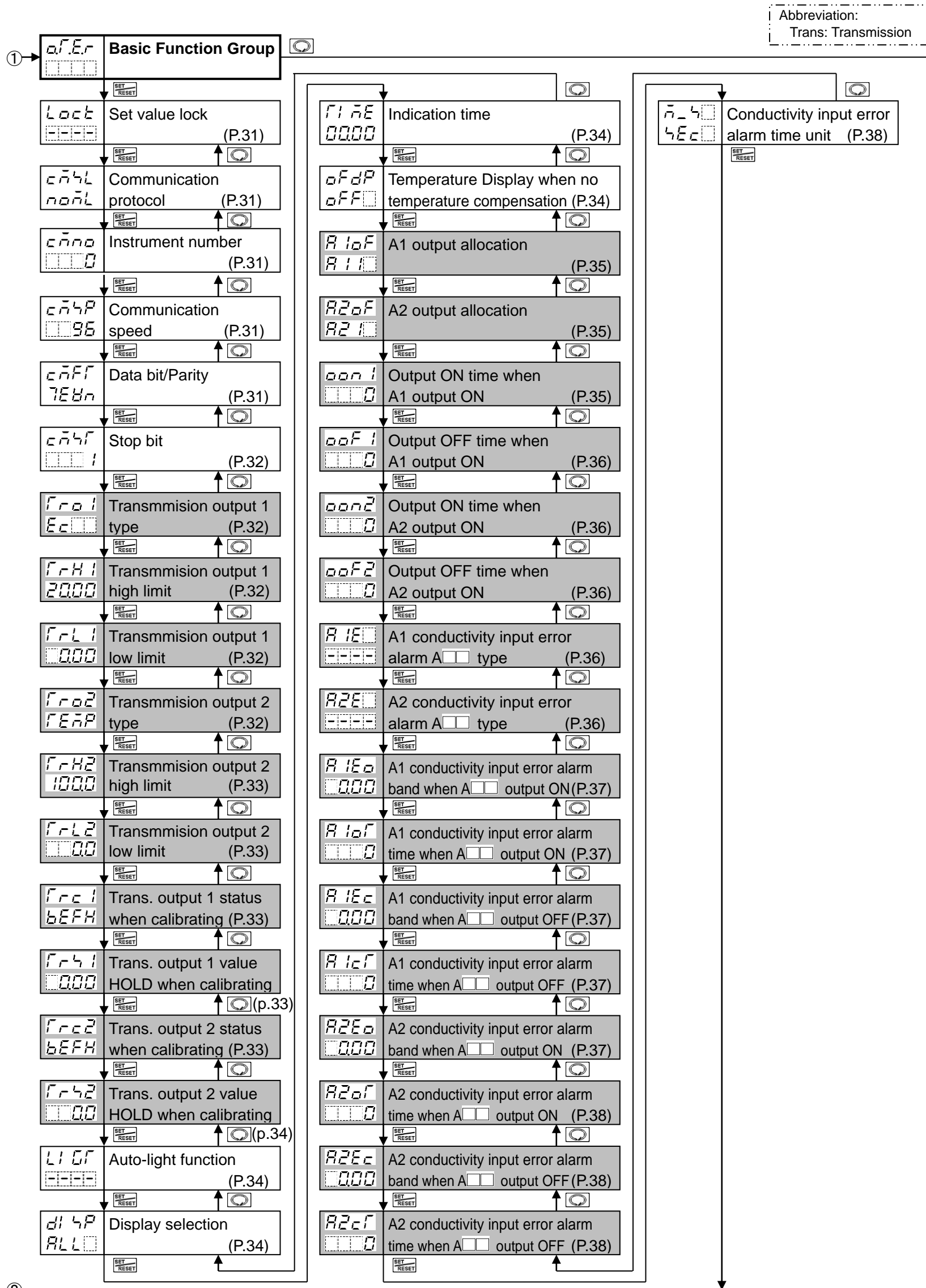
If the TA2 option is added, A1 and A2 related setting items are not available.

(*1): Factory default value is different depending on the selection in [A□□ type]. Conductivity input: 0.00, Temperature input: 0.0°C

(*2): Factory default value is different depending on the selection in [A□□ type]. Conductivity input: 0.10, Temperature input: 1.0°C

● About Key Operation

- $\Delta + \text{SET/RESET}$ (3 sec): Press and hold the Δ , SET/RESET keys (in that order) for 3 sec. The unit enters Temperature calibration mode.
- $\nabla + \text{SET/RESET}$ (3 sec): Press and hold the ∇ , SET/RESET keys (in that order) for 3 sec. The unit enters Conductivity calibration zero adjustment mode.
- $\Delta + \text{SET/RESET}$ (3 sec): Press and hold the Δ , SET/RESET keys (in that order) for 3 sec. The unit enters Transmission output 1 zero adjustment mode.
- $\nabla + \text{SET/RESET}$ (3 sec): Press and hold the ∇ , SET/RESET keys (in that order) for 3 sec. The unit enters Transmission output 2 zero adjustment mode.
- SET/RESET or RECALL : Press the SET/RESET or RECALL key. The unit enters the next setting item.
- To revert to Conductivity/Temperature Display Mode, press and hold the RECALL key for 3 sec while in any mode.



8. Setup

Before using this instrument, setup should be performed to suit the conditions of usage:

- Setting the Cell constant correction value, Measurement unit, A11, A12, A21 and A22 types,
- Temperature compensation method, Communication, A□□ output when input errors occur, etc.

Setup can be conducted in the Conductivity Input Group, Temperature Input Group and Basic Function Group.

If the user's specification is the same as the factory default value of the WIL-102-ECH, or if setup has already been completed, it is not necessary to set up the instrument. Proceed to Section "9. Calibration (p.39)".

8.1 Turn the Power Supply ON.

For approximately 4 seconds after the power is switched ON, the input characters are indicated on the Conductivity Display and Temperature Display. See (Table. 8.1-1).

(Table. 8.1-1)

Display	Character	Measurement Unit	
Conductivity Display	<i>c o n b</i>	Conductivity (mS/cm, μ S/cm)	
	<i>41 □□</i>	Conductivity (S/m, mS/m)	
	<i>4 E R □</i>	Seawater salinity (%)	
	<i>4 A L T</i>	NaCl salinity (%)	
	<i>T d 4 □</i>	TDS conversion (g/L, mg/L)	
Display	Character	Input Temperature Specification (*)	Selection Item in [Pt100 Input Wire Type] (p.30)
Temperature Display	<i>P T □ 2</i>	Pt100	<i>P T □ 2</i> : 2-wire type
	<i>P T □ 3</i>		<i>P T □ 3</i> : 3-wire type
	<i>P T 1 0</i>	Pt1000	



(*) This input temperature specification was specified when ordering.

During this time, all outputs are in OFF status, and LED indicators except the PWR Indicator turn off. After that, measurement starts, indicating the item selected in [Display selection (p.34)].

This status is called Conductivity/Temperature Display Mode.

8.2 Conductivity Input Group

To enter the Conductivity Input Group, follow the procedure below.

- F.n.c.1* Press the  key in Conductivity/Temperature Display Mode.
- c E L L* Press the  key.

The unit enters the Conductivity Input Group, and "Sensor cell constant" is indicated.

Character	Setting Item, Function, Setting Range	Factory Default
<i>c E L L</i> <i>□□ 10</i>	Sensor cell constant • Selects sensor cell constant. If the Sensor cell constant is changed, Conductivity Zero and Span adjustment values and Cell constant correction value will be cleared. Set the Cell constant correction value again, and re-calibrate the Conductivity Zero and Span adjustment values. • Selection item: <i>□□ 10</i> : 1.0/cm <i>□□ 100</i> : 10.0/cm	1.0/cm
<i>c o E F</i> <i>1000</i>	Cell constant correction value • Sets sensor cell constant correction value. <i>c o E F</i> and conductivity are displayed alternately. • Setting range: 0.001 to 5.000	1.000

Character	Setting Item, Function, Setting Range	Factory Default																																																								
Unit cond	Measurement unit <ul style="list-style-type: none"> Selects the conductivity unit. <p>If the conductivity unit is changed, Conductivity Zero and Span adjustment values will be cleared. Re-calibrate the Conductivity Zero and Span adjustment values. However, if the following is changed, the Conductivity Span adjustment value will not be cleared. Re-calibrate <i>only</i> the Conductivity Zero adjustment value.</p> <ul style="list-style-type: none"> Changing from Conductivity (mS/cm, S/m) to Seawater salinity (%) or NaCl salinity (%). Changing from Seawater salinity (%) or NaCl salinity (%) to Conductivity (mS/cm, S/m). Changing from Seawater salinity (%) to NaCl salinity (%). <ul style="list-style-type: none"> Selection item: cond : Conductivity (mS/cm, μS/cm) 41 <input type="checkbox"/> : Conductivity (S/m, mS/m) 4EA <input type="checkbox"/> : Seawater salinity (%) 4ALF : NaCl salinity (%) 7d4 <input type="checkbox"/> : TDS conversion (g/L, mg/L) 	Conductivity (mS/cm, μ S/cm)																																																								
range 2000	Measurement range <ul style="list-style-type: none"> Selects the measurement range of conductivity. <p>If measurement range is changed, Conductivity Zero and Span adjustment values will be cleared. Re-calibrate the Conductivity Zero and Span adjustment values.</p> <ul style="list-style-type: none"> Selection item differs depending on the sensor cell constant and measurement unit. <p>When sensor cell constant 1.0/cm is selected: (Table 8.2-1)</p> <table border="1"> <thead> <tr> <th>Measurement Unit</th> <th>Selection Item</th> <th>Measurement Range</th> </tr> </thead> <tbody> <tr> <td rowspan="10">Conductivity (mS/cm, μS/cm)</td> <td>2000</td> <td>0.00 to 20.00 mS/cm</td> </tr> <tr> <td>2000</td> <td>0.0 to 200.0 mS/cm</td> </tr> <tr> <td>5000</td> <td>0.0 to 500.0 mS/cm</td> </tr> <tr> <td><input type="checkbox"/>500</td> <td>0 to 500 mS/cm</td> </tr> <tr> <td>2000</td> <td>0.000 to 2.000 mS/cm</td> </tr> <tr> <td>5000</td> <td>0.000 to 5.000 mS/cm</td> </tr> <tr> <td>5000</td> <td>0.00 to 50.00 mS/cm</td> </tr> <tr> <td>2000</td> <td>0 to 2000 μS/cm</td> </tr> <tr> <td>5000</td> <td>0 to 5000 μS/cm</td> </tr> <tr> <td rowspan="8">Conductivity (S/m, mS/m)</td> <td>2000</td> <td>0.000 to 2.000 S/m</td> </tr> <tr> <td>2000</td> <td>0.00 to 20.00 S/m</td> </tr> <tr> <td>5000</td> <td>0.00 to 50.00 S/m</td> </tr> <tr> <td><input type="checkbox"/>500</td> <td>0.0 to 50.0 S/m</td> </tr> <tr> <td>2000</td> <td>0 to 2000 mS/m</td> </tr> <tr> <td>5000</td> <td>0.000 to 5.000 S/m</td> </tr> <tr> <td>2000</td> <td>0.0 to 200.0 mS/m</td> </tr> <tr> <td>5000</td> <td>0.0 to 500.0 mS/m</td> </tr> <tr> <td rowspan="5">TDS conversion (g/L, mg/L)</td> <td><input type="checkbox"/>200</td> <td>0.0 to 20.0 g/L</td> </tr> <tr> <td><input type="checkbox"/>200</td> <td>0 to 200 g/L</td> </tr> <tr> <td><input type="checkbox"/>500</td> <td>0 to 500 g/L</td> </tr> <tr> <td>2000</td> <td>0 to 2000 mg/L</td> </tr> <tr> <td>5000</td> <td>0 to 5000 mg/L</td> </tr> <tr> <td>Seawater salinity (%)</td> <td><input type="checkbox"/>400</td> <td>0.00 to 4.00%</td> </tr> <tr> <td>NaCl salinity (%)</td> <td>2000</td> <td>0.00 to 20.00%</td> </tr> </tbody> </table>	Measurement Unit	Selection Item	Measurement Range	Conductivity (mS/cm, μ S/cm)	2000	0.00 to 20.00 mS/cm	2000	0.0 to 200.0 mS/cm	5000	0.0 to 500.0 mS/cm	<input type="checkbox"/> 500	0 to 500 mS/cm	2000	0.000 to 2.000 mS/cm	5000	0.000 to 5.000 mS/cm	5000	0.00 to 50.00 mS/cm	2000	0 to 2000 μ S/cm	5000	0 to 5000 μ S/cm	Conductivity (S/m, mS/m)	2000	0.000 to 2.000 S/m	2000	0.00 to 20.00 S/m	5000	0.00 to 50.00 S/m	<input type="checkbox"/> 500	0.0 to 50.0 S/m	2000	0 to 2000 mS/m	5000	0.000 to 5.000 S/m	2000	0.0 to 200.0 mS/m	5000	0.0 to 500.0 mS/m	TDS conversion (g/L, mg/L)	<input type="checkbox"/> 200	0.0 to 20.0 g/L	<input type="checkbox"/> 200	0 to 200 g/L	<input type="checkbox"/> 500	0 to 500 g/L	2000	0 to 2000 mg/L	5000	0 to 5000 mg/L	Seawater salinity (%)	<input type="checkbox"/> 400	0.00 to 4.00%	NaCl salinity (%)	2000	0.00 to 20.00%	20.00 mS/cm
Measurement Unit	Selection Item	Measurement Range																																																								
Conductivity (mS/cm, μ S/cm)	2000	0.00 to 20.00 mS/cm																																																								
	2000	0.0 to 200.0 mS/cm																																																								
	5000	0.0 to 500.0 mS/cm																																																								
	<input type="checkbox"/> 500	0 to 500 mS/cm																																																								
	2000	0.000 to 2.000 mS/cm																																																								
	5000	0.000 to 5.000 mS/cm																																																								
	5000	0.00 to 50.00 mS/cm																																																								
	2000	0 to 2000 μ S/cm																																																								
	5000	0 to 5000 μ S/cm																																																								
	Conductivity (S/m, mS/m)	2000	0.000 to 2.000 S/m																																																							
2000		0.00 to 20.00 S/m																																																								
5000		0.00 to 50.00 S/m																																																								
<input type="checkbox"/> 500		0.0 to 50.0 S/m																																																								
2000		0 to 2000 mS/m																																																								
5000		0.000 to 5.000 S/m																																																								
2000		0.0 to 200.0 mS/m																																																								
5000		0.0 to 500.0 mS/m																																																								
TDS conversion (g/L, mg/L)	<input type="checkbox"/> 200	0.0 to 20.0 g/L																																																								
	<input type="checkbox"/> 200	0 to 200 g/L																																																								
	<input type="checkbox"/> 500	0 to 500 g/L																																																								
	2000	0 to 2000 mg/L																																																								
	5000	0 to 5000 mg/L																																																								
Seawater salinity (%)	<input type="checkbox"/> 400	0.00 to 4.00%																																																								
NaCl salinity (%)	2000	0.00 to 20.00%																																																								

Character	Setting Item, Function, Setting Range	Factory Default																														
	When sensor cell constant 10.0/cm is selected: (Table 8.2-2) <table border="1"> <thead> <tr> <th>Measurement Unit</th> <th>Selection Item</th> <th>Measurement Range</th> </tr> </thead> <tbody> <tr> <td rowspan="3">Conductivity (mS/cm)</td> <td>2000</td> <td>0.0 to 200.0 mS/cm</td> </tr> <tr> <td>5000</td> <td>0.0 to 500.0 mS/cm</td> </tr> <tr> <td>2000</td> <td>0 to 2000 mS/cm</td> </tr> <tr> <td rowspan="3">Conductivity (S/m, mS/m)</td> <td>2000</td> <td>0.00 to 20.00 S/m</td> </tr> <tr> <td>5000</td> <td>0.00 to 50.00 S/m</td> </tr> <tr> <td>2000</td> <td>0.0 to 200.0 S/m</td> </tr> <tr> <td rowspan="3">TDS conversion (g/L)</td> <td>200</td> <td>0 to 200 g/L</td> </tr> <tr> <td>500</td> <td>0 to 500 g/L</td> </tr> <tr> <td>2000</td> <td>0 to 2000 g/L</td> </tr> <tr> <td>Seawater salinity (%)</td> <td>400</td> <td>0.00 to 4.00%</td> </tr> <tr> <td>NaCl salinity (%)</td> <td>2000</td> <td>0.00 to 20.00%</td> </tr> </tbody> </table>		Measurement Unit	Selection Item	Measurement Range	Conductivity (mS/cm)	2000	0.0 to 200.0 mS/cm	5000	0.0 to 500.0 mS/cm	2000	0 to 2000 mS/cm	Conductivity (S/m, mS/m)	2000	0.00 to 20.00 S/m	5000	0.00 to 50.00 S/m	2000	0.0 to 200.0 S/m	TDS conversion (g/L)	200	0 to 200 g/L	500	0 to 500 g/L	2000	0 to 2000 g/L	Seawater salinity (%)	400	0.00 to 4.00%	NaCl salinity (%)	2000	0.00 to 20.00%
Measurement Unit	Selection Item	Measurement Range																														
Conductivity (mS/cm)	2000	0.0 to 200.0 mS/cm																														
	5000	0.0 to 500.0 mS/cm																														
	2000	0 to 2000 mS/cm																														
Conductivity (S/m, mS/m)	2000	0.00 to 20.00 S/m																														
	5000	0.00 to 50.00 S/m																														
	2000	0.0 to 200.0 S/m																														
TDS conversion (g/L)	200	0 to 200 g/L																														
	500	0 to 500 g/L																														
	2000	0 to 2000 g/L																														
Seawater salinity (%)	400	0.00 to 4.00%																														
NaCl salinity (%)	2000	0.00 to 20.00%																														
<i>r d 4 t</i> <input type="checkbox"/> 050	TDS conversion factor • Sets TDS conversion factor. Available only when <i>r d 4 t</i> [TDS conversion (g/L)] is selected in [Measurement unit]. • Setting range: 0.30 to 1.00	0.50																														
<i>A 1 1 F</i> <input type="checkbox"/> ---	A11 type • Selects an A11 type. Note: If A11 type is changed, the A11 value defaults to 0.00 or 0.0. • <input type="checkbox"/> : No action <i>E c _ L</i> : Conductivity input low limit action (Fig. 8.2-1) <i>E c _ H</i> : Conductivity input high limit action (Fig. 8.2-1) <i>T a P L</i> : Temperature input low limit action (Fig. 8.2-1) <i>T a P H</i> : Temperature input high limit action (Fig. 8.2-1) <i>E r o f</i> : Error output [Output turns ON when the error type is "Error".(Table 8.2-3)] (p.23) <i>F a i l</i> : Fail output [Output turns ON when the error type is "Fail". (Table 8.2-3)] (p.23) <i>E c H L</i> : Conductivity input High/Low limits independent action (Fig. 8.2-2) (p.23) <i>T a H L</i> : Temperature input High/Low limits independent action (Fig. 8.2-2) (p.23) • A11 action (Activated based on the indication value.) <table border="1"> <thead> <tr> <th>Conductivity input low limit action, Temperature input low limit action</th> <th>Conductivity input high limit action, Temperature input high limit action</th> </tr> </thead> <tbody> <tr> <td> If Medium Value is selected in [A11 hysteresis type]: </td> <td> If Medium Value is selected in [A11 hysteresis type]: </td> </tr> <tr> <td> If Reference Value is selected in [A11 hysteresis type]: </td> <td> If Reference Value is selected in [A11 hysteresis type]: </td> </tr> </tbody> </table>	Conductivity input low limit action, Temperature input low limit action	Conductivity input high limit action, Temperature input high limit action	If Medium Value is selected in [A11 hysteresis type]: 	If Medium Value is selected in [A11 hysteresis type]: 	If Reference Value is selected in [A11 hysteresis type]: 	If Reference Value is selected in [A11 hysteresis type]: 	No action																								
Conductivity input low limit action, Temperature input low limit action	Conductivity input high limit action, Temperature input high limit action																															
If Medium Value is selected in [A11 hysteresis type]: 	If Medium Value is selected in [A11 hysteresis type]: 																															
If Reference Value is selected in [A11 hysteresis type]: 	If Reference Value is selected in [A11 hysteresis type]: 																															
	* Setting Example: If [A11 ON side (<i>A 1 1 U</i>)] is set to 0.00 or 0.0, A11 output can be turned ON at the value set in [A11 value (<i>A 1 1</i>)]. If [A11 OFF side (<i>A 1 1 L</i>)] is set to 0.00 or 0.0, A11 output can be turned OFF at the value set in [A11 value (<i>A 1 1</i>)].																															

Character	Setting Item, Function, Setting Range	Factory Default															
	<p style="text-align: center;">Conductivity input High/Low limits independent action, Temperature input High/Low limits independent action</p> <p style="text-align: center;">(Fig. 8.2-2)</p> <p>• Error output, Fail output (Table. 8.2-3)</p> <table border="1" style="width: 100%; border-collapse: collapse;"> <thead> <tr> <th>Error Type</th> <th>Error</th> <th>Description</th> </tr> </thead> <tbody> <tr> <td>Fail</td> <td>Temperature sensor burnout.</td> <td>Temperature sensor lead wire is burnt out.</td> </tr> <tr> <td>Fail</td> <td>Temperature sensor short-circuited</td> <td>Temperature sensor lead wire is short-circuited.</td> </tr> <tr> <td>Error</td> <td>Outside temperature compensation range</td> <td>Measured temperature has exceeded 110.0°C.</td> </tr> <tr> <td>Error</td> <td>Outside temperature compensation range</td> <td>Measured temperature is less than 0.0°C.</td> </tr> </tbody> </table>		Error Type	Error	Description	Fail	Temperature sensor burnout.	Temperature sensor lead wire is burnt out.	Fail	Temperature sensor short-circuited	Temperature sensor lead wire is short-circuited.	Error	Outside temperature compensation range	Measured temperature has exceeded 110.0°C.	Error	Outside temperature compensation range	Measured temperature is less than 0.0°C.
Error Type	Error	Description															
Fail	Temperature sensor burnout.	Temperature sensor lead wire is burnt out.															
Fail	Temperature sensor short-circuited	Temperature sensor lead wire is short-circuited.															
Error	Outside temperature compensation range	Measured temperature has exceeded 110.0°C.															
Error	Outside temperature compensation range	Measured temperature is less than 0.0°C.															
A12F E-E-E-E	A12 type • Selects an A12 type. Note: If A12 type is changed, the A12 value defaults to 0.00 or 0.0. • For the selection item and action, refer to A11 type. (pp.22, 23)	No action															
A21F E-E-E-E	A21 type • Selects an A21 type. Note: If A21 type is changed, the A21 value defaults to 0.00 or 0.0. • For the selection item and action, refer to A11 type. (pp.22, 23)	No action															
A22F E-E-E-E	A22 type • Selects an A22 type. Note: If A22 type is changed, the A22 value defaults to 0.00 or 0.0. • For the selection item and action, refer to A11 type. (pp.22, 23)	No action															
A10 0.000	A11 value • Sets an A11 value. • Not available if E-E-E-E (No action), <i>ErOf</i> (Error output) or <i>FAiL</i> (Fail output) is selected in [A11 type]. • Setting range: Conductivity input: Measurement range low limit to Measurement range high limit (*1) Temperature input: 0.0 to 100.0°C (*2)	Conductivity input: 0.00 mS/cm, Temperature input: 0.0°C															
A120 0.000	A12 value • Sets an A12 value. • Indication condition and setting range are the same as those of A11 value. (p.23)	Conductivity input: 0.00 mS/cm, Temperature input: 0.0°C															
A210 0.000	A21 value • Sets an A21 value. • Indication condition and setting range are the same as those of A11 value. (p.23)	Conductivity input: 0.00 mS/cm, Temperature input: 0.0°C															
A220 0.000	A22 value • Sets an A22 value. • Indication condition and setting range are the same as those of A11 value. (p.23)	Conductivity input: 0.00 mS/cm, Temperature input: 0.0°C															

(*1): The measurement unit and decimal point place follow the measurement range.

(*2): The placement of the decimal point does not follow the selection. It is fixed.

Character	Setting Item, Function, Setting Range	Factory Default																																																																													
<i>A11d</i> <i>4dlF</i>	A11 hysteresis type <ul style="list-style-type: none"> • Selects A11 hysteresis type (Medium or Reference Value). • Not available if <input type="checkbox"/><input type="checkbox"/><input type="checkbox"/><input type="checkbox"/> (No action), <i>ErOr</i> (Error output) or <i>FRiL</i> (Fail output) is selected in [A11 type]. • Selection item: <ul style="list-style-type: none"> <i>cdlF</i>: Medium Value Sets the same value for both ON and OFF sides in relation to A11 value. Only ON side needs to be set. <i>4dlF</i>: Reference Value Sets individual values for ON and OFF sides in relation to A11 value. Both ON and OFF sides need to be set individually. 	Reference Value																																																																													
<i>A11d</i> <input type="checkbox"/> <input type="checkbox"/> <input type="checkbox"/> <input type="checkbox"/>	A11 ON side <ul style="list-style-type: none"> • Sets the span of A11 ON side. If <i>cdlF</i> (Medium Value) is selected in [A11 hysteresis type], the span of ON/OFF side will be the same value. • Not available if <input type="checkbox"/><input type="checkbox"/><input type="checkbox"/><input type="checkbox"/> (No action), <i>ErOr</i> (Error output) or <i>FRiL</i> (Fail output) is selected in [A11 type]. • Setting range differs depending on the selections of A11 type and measurement range. <p>(Table 8.2-4)</p> <table border="1"> <thead> <tr> <th>A<input type="checkbox"/><input type="checkbox"/> Type</th> <th>Measurement Range</th> <th>Setting Range</th> </tr> </thead> <tbody> <tr> <td rowspan="28">Conductivity input</td> <td rowspan="14">Cell constant 1.0/cm</td> <td>0.00 to 20.00 mS/cm</td> <td>0.00 to 2.00 mS/cm</td> </tr> <tr> <td>0.0 to 200.0 mS/cm</td> <td>0.0 to 20.0 mS/cm</td> </tr> <tr> <td>0.0 to 500.0 mS/cm</td> <td>0.0 to 50.0 mS/cm</td> </tr> <tr> <td>0 to 500 mS/cm</td> <td>0 to 50 mS/cm</td> </tr> <tr> <td>0.000 to 2.000 mS/cm</td> <td>0.000 to 0.200 mS/cm</td> </tr> <tr> <td>0.000 to 5.000 mS/cm</td> <td>0.000 to 0.500 mS/cm</td> </tr> <tr> <td>0.00 to 50.00 mS/cm</td> <td>0.00 to 5.00 mS/cm</td> </tr> <tr> <td>0 to 2000 μS/cm</td> <td>0 to 200 μS/cm</td> </tr> <tr> <td>0 to 5000 μS/cm</td> <td>0 to 500 μS/cm</td> </tr> <tr> <td>0.000 to 2.000 S/m</td> <td>0.000 to 0.200 S/m</td> </tr> <tr> <td>0.00 to 20.00 S/m</td> <td>0.00 to 2.00 S/m</td> </tr> <tr> <td>0.00 to 50.00 S/m</td> <td>0.00 to 5.00 S/m</td> </tr> <tr> <td>0.0 to 50.0 S/m</td> <td>0.0 to 5.0 S/m</td> </tr> <tr> <td>0 to 2000 mS/m</td> <td>0 to 200 mS/m</td> </tr> <tr> <td>0.000 to 5.000 S/m</td> <td>0.000 to 0.500 S/m</td> </tr> <tr> <td>0.0 to 200.0 mS/m</td> <td>0.0 to 20.0 mS/m</td> </tr> <tr> <td>0.0 to 500.0 mS/m</td> <td>0.0 to 50.0 mS/m</td> </tr> <tr> <td>0.0 to 20.0 g/L</td> <td>0.0 to 2.0 g/L</td> </tr> <tr> <td>0 to 200 g/L</td> <td>0 to 20 g/L</td> </tr> <tr> <td>0 to 500 g/L</td> <td>0 to 50 g/L</td> </tr> <tr> <td>0 to 2000 mg/L</td> <td>0 to 200 mg/L</td> </tr> <tr> <td>0 to 5000 mg/L</td> <td>0 to 500 mg/L</td> </tr> <tr> <td rowspan="8">Cell constant 10.0/cm</td> <td>0.0 to 200.0 mS/cm</td> <td>0.0 to 20.0 mS/cm</td> </tr> <tr> <td>0.0 to 500.0 mS/cm</td> <td>0.0 to 50.0 mS/cm</td> </tr> <tr> <td>0 to 2000 mS/cm</td> <td>0 to 200 mS/cm</td> </tr> <tr> <td>0.00 to 20.00 S/m</td> <td>0.00 to 2.00 S/m</td> </tr> <tr> <td>0.00 to 50.00 S/m</td> <td>0.00 to 5.00 S/m</td> </tr> <tr> <td>0.0 to 200.0 S/m</td> <td>0.0 to 20.0 S/m</td> </tr> <tr> <td>0 to 200 g/L</td> <td>0 to 20 g/L</td> </tr> <tr> <td>0 to 500 g/L</td> <td>0 to 50 g/L</td> </tr> <tr> <td>0 to 2000 g/L</td> <td>0 to 200 g/L</td> </tr> <tr> <td>Seawater salinity</td> <td>0.00 to 4.00%</td> <td>0.00 to 0.40%</td> </tr> <tr> <td>NaCl salinity</td> <td>0.00 to 20.00%</td> <td>0.00 to 2.00%</td> </tr> <tr> <td>Temperature input</td> <td>0.0 to 100.0$^{\circ}$C</td> <td>0.0 to 10.0$^{\circ}$C</td> </tr> </tbody> </table>	A <input type="checkbox"/> <input type="checkbox"/> Type	Measurement Range	Setting Range	Conductivity input	Cell constant 1.0/cm	0.00 to 20.00 mS/cm	0.00 to 2.00 mS/cm	0.0 to 200.0 mS/cm	0.0 to 20.0 mS/cm	0.0 to 500.0 mS/cm	0.0 to 50.0 mS/cm	0 to 500 mS/cm	0 to 50 mS/cm	0.000 to 2.000 mS/cm	0.000 to 0.200 mS/cm	0.000 to 5.000 mS/cm	0.000 to 0.500 mS/cm	0.00 to 50.00 mS/cm	0.00 to 5.00 mS/cm	0 to 2000 μ S/cm	0 to 200 μ S/cm	0 to 5000 μ S/cm	0 to 500 μ S/cm	0.000 to 2.000 S/m	0.000 to 0.200 S/m	0.00 to 20.00 S/m	0.00 to 2.00 S/m	0.00 to 50.00 S/m	0.00 to 5.00 S/m	0.0 to 50.0 S/m	0.0 to 5.0 S/m	0 to 2000 mS/m	0 to 200 mS/m	0.000 to 5.000 S/m	0.000 to 0.500 S/m	0.0 to 200.0 mS/m	0.0 to 20.0 mS/m	0.0 to 500.0 mS/m	0.0 to 50.0 mS/m	0.0 to 20.0 g/L	0.0 to 2.0 g/L	0 to 200 g/L	0 to 20 g/L	0 to 500 g/L	0 to 50 g/L	0 to 2000 mg/L	0 to 200 mg/L	0 to 5000 mg/L	0 to 500 mg/L	Cell constant 10.0/cm	0.0 to 200.0 mS/cm	0.0 to 20.0 mS/cm	0.0 to 500.0 mS/cm	0.0 to 50.0 mS/cm	0 to 2000 mS/cm	0 to 200 mS/cm	0.00 to 20.00 S/m	0.00 to 2.00 S/m	0.00 to 50.00 S/m	0.00 to 5.00 S/m	0.0 to 200.0 S/m	0.0 to 20.0 S/m	0 to 200 g/L	0 to 20 g/L	0 to 500 g/L	0 to 50 g/L	0 to 2000 g/L	0 to 200 g/L	Seawater salinity	0.00 to 4.00%	0.00 to 0.40%	NaCl salinity	0.00 to 20.00%	0.00 to 2.00%	Temperature input	0.0 to 100.0 $^{\circ}$ C	0.0 to 10.0 $^{\circ}$ C	Conductivity input: 0.01 mS/cm Temperature input: 1.0 $^{\circ}$ C
A <input type="checkbox"/> <input type="checkbox"/> Type	Measurement Range	Setting Range																																																																													
Conductivity input	Cell constant 1.0/cm	0.00 to 20.00 mS/cm	0.00 to 2.00 mS/cm																																																																												
		0.0 to 200.0 mS/cm	0.0 to 20.0 mS/cm																																																																												
		0.0 to 500.0 mS/cm	0.0 to 50.0 mS/cm																																																																												
		0 to 500 mS/cm	0 to 50 mS/cm																																																																												
		0.000 to 2.000 mS/cm	0.000 to 0.200 mS/cm																																																																												
		0.000 to 5.000 mS/cm	0.000 to 0.500 mS/cm																																																																												
		0.00 to 50.00 mS/cm	0.00 to 5.00 mS/cm																																																																												
		0 to 2000 μ S/cm	0 to 200 μ S/cm																																																																												
		0 to 5000 μ S/cm	0 to 500 μ S/cm																																																																												
		0.000 to 2.000 S/m	0.000 to 0.200 S/m																																																																												
		0.00 to 20.00 S/m	0.00 to 2.00 S/m																																																																												
		0.00 to 50.00 S/m	0.00 to 5.00 S/m																																																																												
		0.0 to 50.0 S/m	0.0 to 5.0 S/m																																																																												
		0 to 2000 mS/m	0 to 200 mS/m																																																																												
	0.000 to 5.000 S/m	0.000 to 0.500 S/m																																																																													
	0.0 to 200.0 mS/m	0.0 to 20.0 mS/m																																																																													
	0.0 to 500.0 mS/m	0.0 to 50.0 mS/m																																																																													
	0.0 to 20.0 g/L	0.0 to 2.0 g/L																																																																													
	0 to 200 g/L	0 to 20 g/L																																																																													
	0 to 500 g/L	0 to 50 g/L																																																																													
	0 to 2000 mg/L	0 to 200 mg/L																																																																													
	0 to 5000 mg/L	0 to 500 mg/L																																																																													
	Cell constant 10.0/cm	0.0 to 200.0 mS/cm	0.0 to 20.0 mS/cm																																																																												
		0.0 to 500.0 mS/cm	0.0 to 50.0 mS/cm																																																																												
		0 to 2000 mS/cm	0 to 200 mS/cm																																																																												
		0.00 to 20.00 S/m	0.00 to 2.00 S/m																																																																												
		0.00 to 50.00 S/m	0.00 to 5.00 S/m																																																																												
		0.0 to 200.0 S/m	0.0 to 20.0 S/m																																																																												
0 to 200 g/L		0 to 20 g/L																																																																													
0 to 500 g/L		0 to 50 g/L																																																																													
0 to 2000 g/L	0 to 200 g/L																																																																														
Seawater salinity	0.00 to 4.00%	0.00 to 0.40%																																																																													
NaCl salinity	0.00 to 20.00%	0.00 to 2.00%																																																																													
Temperature input	0.0 to 100.0 $^{\circ}$ C	0.0 to 10.0 $^{\circ}$ C																																																																													

Character	Setting Item, Function, Setting Range	Factory Default
A11L □□□□	A11 OFF side <ul style="list-style-type: none"> • Sets the span of A11 OFF side. • Not available if <i>Med F</i> (Medium Value) is selected in [A11 hysteresis type]. • Not available if <i>None</i> (No action), <i>Error</i> (Error output) or <i>Fail</i> (Fail output) is selected in [A11 type]. • Setting range differs depending on the selections of A11 type and measurement range. See (Table 8.2-4). (p.24) 	Conductivity input: 0.01 mS/cm Temperature input: 1.0°C
A12d 4d1F	A12 hysteresis type <ul style="list-style-type: none"> • Selects A12 hysteresis type (Medium or Reference Value). • Indication condition and selection item are the same as those of A11 hysteresis type. (p.24) 	Reference Value
A12U □□□□	A12 ON side <ul style="list-style-type: none"> • Sets the span of A12 ON side. If <i>Med F</i> (Medium Value) is selected in [A12 hysteresis type], the span of ON/OFF side will be the same value. • Indication condition and setting range are the same as those of A11 ON side. (p.24) 	Conductivity input: 0.01 mS/cm Temperature input: 1.0°C
A12L □□□□	A12 OFF side <ul style="list-style-type: none"> • Sets the span of A12 OFF side. • Indication condition and setting range are the same as those of A11 OFF side. (p.25) 	Conductivity input: 0.01 mS/cm Temperature input: 1.0°C
A21d 4d1F	A21 hysteresis type <ul style="list-style-type: none"> • Selects A21 hysteresis type (Medium or Reference Value). • Indication condition and selection item are the same as those of A11 hysteresis type. (p.24) 	Reference Value
A21U □□□□	A21 ON side <ul style="list-style-type: none"> • Sets the span of A21 ON side. If <i>Med F</i> (Medium Value) is selected in [A21 hysteresis type], the span of ON/OFF side will be the same value. • Indication condition and setting range are the same as those of A11 ON side. (p.24) 	Conductivity input: 0.01 mS/cm Temperature input: 1.0°C
A21L □□□□	A21 OFF side <ul style="list-style-type: none"> • Sets the span of A21 OFF side. • Indication condition and setting range are the same as those of A11 OFF side. (p.25) 	Conductivity input: 0.01 mS/cm Temperature input: 1.0°C
A22d 4d1F	A22 hysteresis type <ul style="list-style-type: none"> • Selects A22 hysteresis type (Medium or Reference Value). • Indication condition and selection item are the same as those of A11 hysteresis type. (p.24) 	Reference Value
A22U □□□□	A22 ON side <ul style="list-style-type: none"> • Sets the span of A22 ON side. If <i>Med F</i> (Medium Value) is selected in [A22 hysteresis type], the span of ON/OFF side will be the same value. • Indication condition and setting range are the same as those of A11 ON side. (p.24) 	Conductivity input: 0.01 mS/cm Temperature input: 1.0°C
A22L □□□□	A22 OFF side <ul style="list-style-type: none"> • Sets the span of A22 OFF side. • Indication condition and setting range are the same as those of A11 OFF side. (p.25) 	Conductivity input: 0.01 mS/cm Temperature input: 1.0°C
A11a □□□□	A11 ON delay time <ul style="list-style-type: none"> • Sets A11 ON delay time. The A11 does not turn ON (under the conditions of turning ON) until the time set in [A11 ON delay time] elapses. • Not available if <i>None</i> (No action), <i>Error</i> (Error output) or <i>Fail</i> (Fail output) is selected in [A11 type]. • Setting range: 0 to 9999 seconds 	0 seconds

Character	Setting Item, Function, Setting Range	Factory Default
A12 _o □□□□	A12 ON delay time • Sets A12 ON delay time. The A12 does not turn ON (under the conditions of turning ON) until the time set in [A12 ON delay time] elapses. • Indication condition and setting range are the same as those of A11 ON delay time.(p.25)	0 seconds
A21 _o □□□□	A21 ON delay time • Sets A21 ON delay time. The A21 does not turn ON (under the conditions of turning ON) until the time set in [A21 ON delay time] elapses. • Indication condition and setting range are the same as those of A11 ON delay time. (p.25)	0 seconds
A22 _o □□□□	A22 ON delay time • Sets A22 ON delay time. The A22 does not turn ON (under the conditions of turning ON) until the time set in [A22 ON delay time] elapses. • Indication condition and setting range are the same as those of A11 ON delay time(p.25)	0 seconds
A11 _c □□□□	A11 OFF delay time • Sets A11 OFF delay time. The A11 does not turn OFF (under the conditions of turning OFF) until the time set in [A11 OFF delay time] elapses. • Not available if □□□□ (No action), <i>ErOf</i> (Error output) or <i>FRiL</i> (Fail output) is selected in [A11 type]. • Setting range: 0 to 9999 seconds	0 seconds
A12 _c □□□□	A12 OFF delay time • Sets A12 OFF delay time. The A12 does not turn OFF (under the conditions of turning OFF) until the time set in [A12 OFF delay time] elapses. • Indication condition and setting range are the same as those of A11 OFF delay time.(p.26)	0 seconds
A21 _c □□□□	A21 OFF delay time • Sets A21 OFF delay time. The A21 does not turn OFF (under the conditions of turning OFF) until the time set in [A21 OFF delay time] elapses. • Indication condition and setting range are the same as those of A11 OFF delay time.(p.26)	0 seconds
A22 _c □□□□	A22 OFF delay time • Sets A22 OFF delay time. The A22 does not turn OFF (under the conditions of turning OFF) until the time set in [A22 OFF delay time] elapses. • Indication condition and setting range are the same as those of A11 OFF delay time.(p.26)	0 seconds
A11 _n □□□□	A11 High/Low limits independent lower side span • Sets the lower side span of A11 High/Low limits independent action. Disabled when set to 0.00 or 0.0°C. • Available when <i>EcHL</i> (Conductivity input High/Low limits independent action) or <i>TnHL</i> (Temperature input High/Low limits independent action) is selected in [A11 type]. • Setting range: Conductivity input: Measurement range low limit to Measurement range high limit (*1) Temperature input: 0.0 to 100.0°C (*2)	Conductivity input: 0.00 mS/cm Temperature input: 0.0°C
A12 _n □□□□	A12 High/Low limits independent lower side span • Sets the lower side span of A12 High/Low limits independent action. • For the action, indication condition and setting range, refer to [A11 High/Low limits independent lower side span]. (p.26)	Conductivity input: 0.00 mS/cm Temperature input: 0.0°C

(*1): The measurement unit and decimal point place follow the measurement range.

(*2): The placement of the decimal point does not follow the selection. It is fixed.

Character	Setting Item, Function, Setting Range	Factory Default
A2 Ln □000	A21 High/Low limits independent lower side span <ul style="list-style-type: none"> • Sets the lower side span of A21 High/Low limits independent action. • For the action, indication condition and setting range, refer to [A11 High/Low limits independent lower side span]. (p.26) 	Conductivity input: 0.00 mS/cm Temperature input: 0.0°C
A22n □000	A22 High/Low limits independent lower side span <ul style="list-style-type: none"> • Sets the lower side span of A22 High/Low limits independent action. • For the action, indication condition and setting range, refer to [A11 High/Low limits independent lower side span]. (p.26) 	Conductivity input: 0.00 mS/cm Temperature input: 0.0°C
A1 IP □000	A11 High/Low limits independent upper side span <ul style="list-style-type: none"> • Sets the upper side span of A11 High/Low limits independent action. Disabled when set to 0.00 or 0.0°C. • Available when E_{HL} (Conductivity input High/Low limits independent action) or F_{HL} (Temperature input High/Low limits independent action) is selected in [A11 type]. • Setting range: Conductivity input: Measurement range low limit to Measurement range high limit (*1) Temperature input: 0.0 to 100.0°C (*2) 	Conductivity input: 0.00 mS/cm Temperature input: 0.0°C
A12P □000	A12 High/Low limits independent upper side span <ul style="list-style-type: none"> • Sets the upper side span of A12 High/Low limits independent action. • For the action, indication condition and setting range, refer to [A11 High/Low limits independent upper side span]. (p.27) 	Conductivity input: 0.00 mS/cm Temperature input: 0.0°C
A2 IP □000	A21 High/Low limits independent upper side span <ul style="list-style-type: none"> • Sets the upper side span of A21 High/Low limits independent action. • For the action, indication condition and setting range, refer to [A11 High/Low limits independent upper side span]. (p.27) 	Conductivity input: 0.00 mS/cm Temperature input: 0.0°C
A22P □000	A22 High/Low limits independent upper side span <ul style="list-style-type: none"> • Sets the upper side span of A22 High/Low limits independent action. • For the action, indication condition and setting range, refer to [A11 High/Low limits independent upper side span]. (p.27) 	Conductivity input: 0.00 mS/cm Temperature input: 0.0°C

(*1): The measurement unit and decimal point place follow the measurement range.

(*2): The placement of the decimal point does not follow the selection. It is fixed.



Character	Setting Item, Function, Setting Range	Factory Default																																																																											
A11H 001	A11 hysteresis <ul style="list-style-type: none"> • Sets hysteresis of A11 High/Low limits independent action. • Available when E_{cHL} (Conductivity input High/Low limits independent action) or T_{cHL} (Temperature input High/Low limits independent action) is selected in [A11 type]. • Setting range differs depending on the selections of A11 type and measurement range. (Table 8.2-5) <table border="1"> <thead> <tr> <th>A□□ Type</th> <th>Measurement Range</th> <th>Setting Range</th> </tr> </thead> <tbody> <tr> <td rowspan="28">Conductivity input</td> <td rowspan="20">Cell constant 1.0/cm</td> <td>0.00 to 20.00 mS/cm</td> <td>0.01 to 2.00 mS/cm</td> </tr> <tr> <td>0.0 to 200.0 mS/cm</td> <td>0.1 to 20.0 mS/cm</td> </tr> <tr> <td>0.0 to 500.0 mS/cm</td> <td>0.1 to 50.0 mS/cm</td> </tr> <tr> <td>0 to 500 mS/cm</td> <td>1 to 50 mS/cm</td> </tr> <tr> <td>0.000 to 2.000 mS/cm</td> <td>0.001 to 0.200 mS/cm</td> </tr> <tr> <td>0.000 to 5.000 mS/cm</td> <td>0.001 to 0.500 mS/cm</td> </tr> <tr> <td>0.00 to 50.00 mS/cm</td> <td>0.01 to 5.00 mS/cm</td> </tr> <tr> <td>0 to 2000 μS/cm</td> <td>1 to 200 μS/cm</td> </tr> <tr> <td>0 to 5000 μS/cm</td> <td>1 to 500 μS/cm</td> </tr> <tr> <td>0.000 to 2.000 S/m</td> <td>0.001 to 0.200 S/m</td> </tr> <tr> <td>0.00 to 20.00 S/m</td> <td>0.01 to 2.00 S/m</td> </tr> <tr> <td>0.00 to 50.00 S/m</td> <td>0.01 to 5.00 S/m</td> </tr> <tr> <td>0.0 to 50.0 S/m</td> <td>0.1 to 5.0 S/m</td> </tr> <tr> <td>0 to 2000 mS/m</td> <td>1 to 200 mS/m</td> </tr> <tr> <td>0.000 to 5.000 S/m</td> <td>0.001 to 0.500 S/m</td> </tr> <tr> <td>0.0 to 200.0 mS/m</td> <td>0.1 to 20.0 mS/m</td> </tr> <tr> <td>0.0 to 500.0 mS/m</td> <td>0.1 to 50.0 mS/m</td> </tr> <tr> <td>0.0 to 20.0 g/L</td> <td>0.1 to 2.0 g/L</td> </tr> <tr> <td>0 to 200 g/L</td> <td>1 to 20 g/L</td> </tr> <tr> <td>0 to 500 g/L</td> <td>1 to 50 g/L</td> </tr> <tr> <td>0 to 2000 mg/L</td> <td>1 to 200 mg/L</td> </tr> <tr> <td>0 to 5000 mg/L</td> <td>1 to 500 mg/L</td> </tr> <tr> <td rowspan="7">Cell constant 10.0/cm</td> <td>0.0 to 200.0 mS/cm</td> <td>0.1 to 20.0 mS/cm</td> </tr> <tr> <td>0.0 to 500.0 mS/cm</td> <td>0.1 to 50.0 mS/cm</td> </tr> <tr> <td>0 to 2000 mS/cm</td> <td>1 to 200 mS/cm</td> </tr> <tr> <td>0.00 to 20.00 S/m</td> <td>0.01 to 2.00 S/m</td> </tr> <tr> <td>0.00 to 50.00 S/m</td> <td>0.01 to 5.00 S/m</td> </tr> <tr> <td>0.0 to 200.0 S/m</td> <td>0.1 to 20.0 S/m</td> </tr> <tr> <td>0 to 200 g/L</td> <td>1 to 20 g/L</td> </tr> <tr> <td>0 to 500 g/L</td> <td>1 to 50 g/L</td> </tr> <tr> <td>0 to 2000 g/L</td> <td>1 to 200 g/L</td> </tr> <tr> <td>Seawater salinity 0.00 to 4.00%</td> <td>0.01 to 0.40%</td> </tr> <tr> <td>NaCl salinity 0.00 to 20.00%</td> <td>0.01 to 2.00%</td> </tr> <tr> <td>Temperature input</td> <td>0.0 to 100.0°C</td> <td>0.1 to 10.0°C</td> </tr> </tbody> </table>	A□□ Type	Measurement Range	Setting Range	Conductivity input	Cell constant 1.0/cm	0.00 to 20.00 mS/cm	0.01 to 2.00 mS/cm	0.0 to 200.0 mS/cm	0.1 to 20.0 mS/cm	0.0 to 500.0 mS/cm	0.1 to 50.0 mS/cm	0 to 500 mS/cm	1 to 50 mS/cm	0.000 to 2.000 mS/cm	0.001 to 0.200 mS/cm	0.000 to 5.000 mS/cm	0.001 to 0.500 mS/cm	0.00 to 50.00 mS/cm	0.01 to 5.00 mS/cm	0 to 2000 μ S/cm	1 to 200 μ S/cm	0 to 5000 μ S/cm	1 to 500 μ S/cm	0.000 to 2.000 S/m	0.001 to 0.200 S/m	0.00 to 20.00 S/m	0.01 to 2.00 S/m	0.00 to 50.00 S/m	0.01 to 5.00 S/m	0.0 to 50.0 S/m	0.1 to 5.0 S/m	0 to 2000 mS/m	1 to 200 mS/m	0.000 to 5.000 S/m	0.001 to 0.500 S/m	0.0 to 200.0 mS/m	0.1 to 20.0 mS/m	0.0 to 500.0 mS/m	0.1 to 50.0 mS/m	0.0 to 20.0 g/L	0.1 to 2.0 g/L	0 to 200 g/L	1 to 20 g/L	0 to 500 g/L	1 to 50 g/L	0 to 2000 mg/L	1 to 200 mg/L	0 to 5000 mg/L	1 to 500 mg/L	Cell constant 10.0/cm	0.0 to 200.0 mS/cm	0.1 to 20.0 mS/cm	0.0 to 500.0 mS/cm	0.1 to 50.0 mS/cm	0 to 2000 mS/cm	1 to 200 mS/cm	0.00 to 20.00 S/m	0.01 to 2.00 S/m	0.00 to 50.00 S/m	0.01 to 5.00 S/m	0.0 to 200.0 S/m	0.1 to 20.0 S/m	0 to 200 g/L	1 to 20 g/L	0 to 500 g/L	1 to 50 g/L	0 to 2000 g/L	1 to 200 g/L	Seawater salinity 0.00 to 4.00%	0.01 to 0.40%	NaCl salinity 0.00 to 20.00%	0.01 to 2.00%	Temperature input	0.0 to 100.0°C	0.1 to 10.0°C	Conductivity input: 0.01 mS/cm Temperature input: 1.0°C
A□□ Type	Measurement Range	Setting Range																																																																											
Conductivity input	Cell constant 1.0/cm	0.00 to 20.00 mS/cm	0.01 to 2.00 mS/cm																																																																										
		0.0 to 200.0 mS/cm	0.1 to 20.0 mS/cm																																																																										
		0.0 to 500.0 mS/cm	0.1 to 50.0 mS/cm																																																																										
		0 to 500 mS/cm	1 to 50 mS/cm																																																																										
		0.000 to 2.000 mS/cm	0.001 to 0.200 mS/cm																																																																										
		0.000 to 5.000 mS/cm	0.001 to 0.500 mS/cm																																																																										
		0.00 to 50.00 mS/cm	0.01 to 5.00 mS/cm																																																																										
		0 to 2000 μ S/cm	1 to 200 μ S/cm																																																																										
		0 to 5000 μ S/cm	1 to 500 μ S/cm																																																																										
		0.000 to 2.000 S/m	0.001 to 0.200 S/m																																																																										
		0.00 to 20.00 S/m	0.01 to 2.00 S/m																																																																										
		0.00 to 50.00 S/m	0.01 to 5.00 S/m																																																																										
		0.0 to 50.0 S/m	0.1 to 5.0 S/m																																																																										
		0 to 2000 mS/m	1 to 200 mS/m																																																																										
		0.000 to 5.000 S/m	0.001 to 0.500 S/m																																																																										
		0.0 to 200.0 mS/m	0.1 to 20.0 mS/m																																																																										
		0.0 to 500.0 mS/m	0.1 to 50.0 mS/m																																																																										
		0.0 to 20.0 g/L	0.1 to 2.0 g/L																																																																										
		0 to 200 g/L	1 to 20 g/L																																																																										
		0 to 500 g/L	1 to 50 g/L																																																																										
	0 to 2000 mg/L	1 to 200 mg/L																																																																											
	0 to 5000 mg/L	1 to 500 mg/L																																																																											
	Cell constant 10.0/cm	0.0 to 200.0 mS/cm	0.1 to 20.0 mS/cm																																																																										
		0.0 to 500.0 mS/cm	0.1 to 50.0 mS/cm																																																																										
		0 to 2000 mS/cm	1 to 200 mS/cm																																																																										
		0.00 to 20.00 S/m	0.01 to 2.00 S/m																																																																										
		0.00 to 50.00 S/m	0.01 to 5.00 S/m																																																																										
		0.0 to 200.0 S/m	0.1 to 20.0 S/m																																																																										
0 to 200 g/L		1 to 20 g/L																																																																											
0 to 500 g/L	1 to 50 g/L																																																																												
0 to 2000 g/L	1 to 200 g/L																																																																												
Seawater salinity 0.00 to 4.00%	0.01 to 0.40%																																																																												
NaCl salinity 0.00 to 20.00%	0.01 to 2.00%																																																																												
Temperature input	0.0 to 100.0°C	0.1 to 10.0°C																																																																											
A12H 001	A12 hysteresis <ul style="list-style-type: none"> • Sets hysteresis of A12 High/Low limits independent action. • For the indication condition and setting range, refer to [A11 hysteresis]. (p.28) 	Conductivity input: 0.01 mS/cm Temperature input: 1.0°C																																																																											
A21H 001	A21 hysteresis <ul style="list-style-type: none"> • Sets hysteresis of A21 High/Low limits independent action. • For the indication condition and setting range, refer to [A11 hysteresis]. (p.28) 	Conductivity input: 0.01 mS/cm Temperature input: 1.0°C																																																																											

Character	Setting Item, Function, Setting Range	Factory Default
A22H 001	A22 hysteresis <ul style="list-style-type: none"> Sets hysteresis of A22 High/Low limits independent action. For the indication condition and setting range, refer to [A11 hysteresis]. (p.28) 	Conductivity input: 0.01 mS/cm Temperature input: 1.0°C
1Err OFF	A□□ output when input errors occur <ul style="list-style-type: none"> Selects whether to enable or disable A□□ output in the event of an input error such as a conductivity sensor burnout or short circuit. If Enabled is selected, A□□ output and A□□ output status will be maintained in the event of an input error. If Disabled is selected, A□□ output and A□□ output status will be turned OFF in the event of an input error. Available when E_{C_L} (Conductivity input low limit action), E_{C_H} (Conductivity input high limit action), T_{NPL} (Temperature input low limit action) or T_{NPH} (Temperature input high limit action) is selected in [A□□ type]. Selection item: ON□□: Enabled OFF□□: Disabled 	Disabled
FILT 000	Conductivity input filter time constant <ul style="list-style-type: none"> Sets Conductivity input filter time constant. If the value is set too large, it affects A□□ output due to the delay of response. Setting range: 0.0 to 10.0 seconds 	0.0 seconds
E40 000	Conductivity input sensor correction <ul style="list-style-type: none"> Sets conductivity input sensor correction value. This corrects the measured value from the Conductivity Sensor. When a sensor cannot be set at the exact location where measurement is desired, the sensor-measured conductivity may deviate from the conductivity in the measured location. In such a case, desired conductivity can be obtained by adding a sensor correction value. However, it is effective within the measurement range regardless of the sensor correction value. Conductivity after sensor correction = Current conductivity + (Sensor correction value) Setting range: ±10% of measurement span (*) 	0.00 mS/cm
4Err 000	3-electrode Conductivity Sensor resistance <ul style="list-style-type: none"> If the 3-electrode Conductivity Sensor is used, set the resistance value of 3-electrode Conductivity Sensor. Setting range: 0 to 100 Ω 	0 Ω
dFct 020	Conductivity inputs for moving average <ul style="list-style-type: none"> Set the number of conductivity inputs used to obtain moving average. An average conductivity input value is calculated using the selected number of conductivity inputs. The conductivity input value is replaced every input sampling period. However, the conductivity input moving average function is disabled in conductivity calibration mode or in temperature calibration mode. Setting range: 1 to 120 	20

(*): The measurement unit and decimal point place follow the measurement range.

8.3 Temperature Input Group

To enter the Temperature Input Group, follow the procedure below.

- ① *F.n.c.2* Press the  key twice in Conductivity/Temperature Display Mode.
- ② *rcn* Press the  key.

The unit will enter Temperature Input Group, and “Temperature compensation method” will appear.

Character	Setting Item, Function, Setting Range	Factory Default
<i>rcn</i> <i>nRcL</i>	Temperature compensation method(*1) <ul style="list-style-type: none"> • Selects Temperature compensation calculation method. • <i>nRcL</i> : Temperature compensation is conducted using temperature characteristics of NaCl. Select when the main salt ingredient in a sample is NaCl. • <i>rcOE</i> : Temperature compensation is conducted using temperature coefficient (%/°C) and a randomly selected reference temperature. • <i>OFF</i> : No temperature compensation 	NaCl
<i>tcOE</i> <i>2.00</i>	Temperature coefficient(*1), (*2) <ul style="list-style-type: none"> • Sets the temperature coefficient. • If temperature coefficient is set to 2.00 %/°C, this value can be used for most aqueous solutions. • If temperature coefficient of an aqueous solution is already-known, set the value. • If temperature coefficient is set to 0.00 %/°C, conductivity without temperature compensation will be indicated. • Setting range: -5.00 to 5.00 %/°C 	2.00 %/°C
<i>4rnd</i> <i>25.0</i>	Reference temperature(*1) <ul style="list-style-type: none"> • Sets the reference temperature for temperature compensation. • Setting range: 5.0 to 95.0°C(*3) 	25.0°C
<i>dP2</i> <i>0.00</i>	Decimal point place <ul style="list-style-type: none"> • Selects decimal point place. • <i>0.00</i> : No decimal point • <i>0.00</i> : 1 digit after decimal point 	1 digit after decimal point
<i>conE</i> <i>Pt03</i>	Pt100 input wire type <ul style="list-style-type: none"> • Selects the input wire type of Pt100. • Not available for the Temperature element Pt1000. • This setting item and all subsequent items are available only when <i>PH</i> (Measured value) is selected in [Temperature Display when no temperature compensation]. • <i>Pt02</i> : 2-wire type • <i>Pt03</i> : 3-wire type 	3-wire type
<i>cAbL</i> <i>0.00</i>	Cable length correction <ul style="list-style-type: none"> • Sets the cable length correction value. • Available only when <i>Pt02</i> (2-wire type) is selected in [Pt100 input wire type]. • Not available for the Temperature element Pt1000. • Setting range: 0.0 to 100.0 m 	0.0 m
<i>c4Ec</i> <i>0.30</i>	Cable cross-section area <ul style="list-style-type: none"> • Sets the cable cross-section area. • Available only when <i>Pt02</i> (2-wire type) is selected in [Pt100 input wire type]. • Not available for the Temperature element Pt1000. • Setting range: 0.10 to 2.00 mm² 	0.30 mm ²
<i>F1F2</i> <i>0.00</i>	Temperature input filter time constant <ul style="list-style-type: none"> • Sets Temperature input filter time constant. • If the value is set too large, it affects <i>A</i> output due to the delay of response. • Setting range: 0.0 to 10.0 seconds 	0.0 seconds

(*1): Not available if *4ER* (Seawater salinity) or *4RLr* (NaCl salinity) is selected in [Measurement unit(P.21)].



(*2): Available only when *rcOE* is selected in [Temperature compensation method].

(*3): The placement of the decimal point follows the selection.

Character	Setting Item, Function, Setting Range	Factory Default
dFct 0020	Temperature inputs for moving average <ul style="list-style-type: none"> Set the number of temperature inputs used to obtain moving average. An average temperature input value is calculated using the selected number of temperature inputs. The temperature input value is replaced every input sampling period. However, the temperature input moving average function is disabled in temperature calibration mode. Setting range: 1 to 120 	20

8.4 Basic Function Group

To enter the Basic Function Group, follow the procedure below.

- ① *dFct* Press the  key 3 times in Conductivity/Temperature Display Mode.
- ② *Lock* Press the  key.

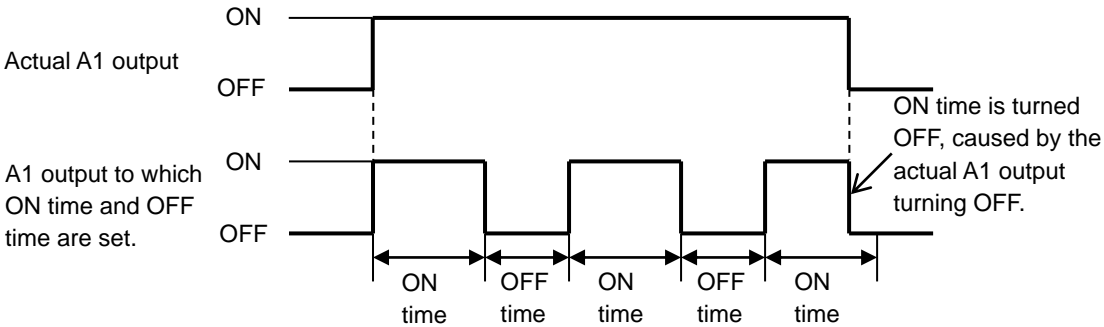
The unit will enter the Basic Function Group, and “Set value lock” will appear.

Character	Setting Item, Function, Setting Range	Factory Default
<i>Lock</i> 0000	Set value lock <ul style="list-style-type: none"> Locks the set values to prevent setting errors. Selection item: <ul style="list-style-type: none"> 0000 (Unlock): All set values can be changed. <i>Loc 1</i> (Lock 1): None of the set values can be changed. <i>Loc 2</i> (Lock 2): Only A11, A12, A21 and A22 values can be changed. <i>Loc 3</i> (Lock 3): All set values – except Sensor cell constant, Measurement unit, Measurement range, Conductivity Zero and Span adjustment values, Temperature calibration value, Transmission output 1 Zero and Span adjustment values, Transmission output 2 Zero and Span adjustment values – can be temporarily changed. However, they revert to their previous value after the power is turned off because they are not saved in the non-volatile IC memory. Do not change the A11, A12, A21 or A22 type. If they are changed, they will affect other setting items. Be sure to select Lock 3 when changing the set value frequently via software communication. (If a value set via software communication is the same as the value before the setting, the value will not be written in non-volatile IC memory.) 	Unlock
<i>cn4L</i> <i>nonL</i>	Communication protocol <ul style="list-style-type: none"> Selects communication protocol. Selection item: <i>nonL</i>: Shinko protocol <i>nodA</i>: MODBUS ASCII mode <i>nodr</i>: MODBUS RTU mode 	Shinko protocol
<i>cnno</i> 0000	Instrument number <ul style="list-style-type: none"> Sets the instrument number of each unit. (The instrument numbers should be set one by one when multiple instruments are connected.) Setting range: 0 to 95 	0
<i>cn4P</i> 0096	Communication speed <ul style="list-style-type: none"> Selects a communication speed equal to that of the host computer. Selection item: 0096: 9600 bps 0192: 19200 bps 0384: 38400 bps 	9600 bps
<i>cnFF</i> <i>7EEn</i>	Data bit/Parity <ul style="list-style-type: none"> Selects data bit and parity. Selection item: <ul style="list-style-type: none"> 8non : 8 bits/No parity 7non : 7 bits/No parity 8EEn : 8 bits/Even 7EEn : 7 bits/Even 8odd : 8 bits/Odd 7odd : 7 bits/Odd 	7 bits/Even

Character	Setting Item, Function, Setting Range	Factory Default
2047 0001	Stop bit • Selects the stop bit. • Selection item: 0001 : 1 bit 0002 : 2 bits	1 bit
1001 EC00	Transmission output 1 type • Selects Transmission output 1 type. If OFF (No temperature compensation) is selected in [Temperature compensation method (p.30)], and if TEMP (Temperature transmission) is selected, then transmission output 1 value will differ depending on the selection in [Temperature Display when no temperature compensation (p.34)] as follows. If OFF (Unlit) or REF (Reference temperature) is selected, the value set in [Reference temperature (p.30)] will be output. If PH (Measured value) is selected, the measured value will be output. • Available when Transmission output 1 (TA option) or Transmission output 2 (TA2 option) is ordered. • Selection item: EC00: Conductivity transmission TEMP: Temperature transmission	Conductivity transmission
1001 2000	Transmission output 1 high limit • Sets Transmission output 1 high limit value. (This value corresponds to 20 mA DC output.) If Transmission output 1 high limit and low limit are set to the same value, Transmission output 1 will be fixed at 4 mA DC. • Available when Transmission output 1 (TA option) or Transmission output 2 (TA2 option) is ordered. • Setting range: If EC00 (Conductivity transmission) is selected in [Transmission output 1 type]: Transmission output 1 low limit to Conductivity range high limit If TEMP (Temperature transmission) is selected in [Transmission output 1 type]: Transmission output 1 low limit to 100.0°C	20.00 mS/cm
1001 0000	Transmission output 1 low limit • Sets Transmission output 1 low limit value. (This value corresponds to 4 mA DC output.) If Transmission output 1 high limit and low limit are set to the same value, Transmission output 1 will be fixed at 4 mA DC. • Available when Transmission output 1 (TA option) or Transmission output 2 (TA2 option) is ordered. • Setting range: If EC00 (Conductivity transmission) is selected in [Transmission output 1 type]: Conductivity range low limit to Transmission output 1 high limit If TEMP (Temperature transmission) is selected in [Transmission output 1 type]: 0.0°C to Transmission output 1 high limit	0.00 mS/cm
1002 TEMP	Transmission output 2 type • Selects Transmission output 2 type. If OFF (No temperature compensation) is selected in [Temperature compensation method (p.30)], and if TEMP (Temperature transmission) is selected, then Transmission output 2 value will differ depending on the selection in [Temperature Display when no temperature compensation (p.34)] as follows. If OFF (Unlit) or REF (Reference temperature) is selected, the value set in [Reference temperature (p.30)] will be output. If PH (Measured value) is selected, the measured value will be output. • Available only when Transmission output 2 (TA2 option) is ordered. • Selection item: EC00: Conductivity transmission TEMP: Temperature transmission	Temperature transmission

Character	Setting Item, Function, Setting Range	Factory Default
<i>TrH2</i> 1000	Transmission output 2 high limit <ul style="list-style-type: none"> Sets Transmission output 2 high limit value. (This value corresponds to 20 mA DC output.) If Transmission output 2 high limit and low limit are set to the same value, Transmission output 2 will be fixed at 4 mA DC. Available only when Transmission output 2 (TA2 option) is ordered. Setting range: If <i>Ec</i> (Conductivity transmission) is selected in [Transmission output 2 type]: Transmission output 2 low limit to Conductivity range high limit If <i>TEMP</i> (Temperature transmission) is selected in [Transmission output 2 type]: Transmission output 2 low limit to 100.0°C 	100.0°C
<i>TrL2</i> 0000	Transmission output 2 low limit <ul style="list-style-type: none"> Sets Transmission output 2 low limit value. (This value corresponds to 4 mA DC output.) If Transmission output 2 high limit and low limit are set to the same value, Transmission output 2 will be fixed at 4 mA DC. Available only when Transmission output 2 (TA2 option) is ordered. Setting range: If <i>Ec</i> (Conductivity transmission) is selected in [Transmission output 2 type]: Conductivity range low limit to Transmission output 2 high limit If <i>TEMP</i> (Temperature transmission) is selected in [Transmission output 2 type]: 0.0°C to Transmission output 2 high limit 	0.0°C
<i>TrC1</i> bEFH	Transmission output 1 status when calibrating <ul style="list-style-type: none"> Selects Transmission output 1 output status when calibrating conductivity. Available when Transmission output 1 (TA option) or Transmission output 2 (TA2 option) is ordered. Selection item: <i>bEFH</i>: Last value HOLD (Retains the last value before conductivity calibration, and outputs it.) <i>4EFH</i>: Set value HOLD (Outputs the value set in [Transmission output 1 value HOLD when calibrating].) <i>PHH</i>: Measured value (Outputs the measured value when calibrating conductivity.) 	Last value HOLD
<i>TrV1</i> 0000	Transmission output 1 value HOLD when calibrating <ul style="list-style-type: none"> Sets Transmission output 1 value HOLD. Available only when <i>4EFH</i> (Set value HOLD) is selected in [Transmission output 1 status when calibrating]. Setting range: When <i>Ec</i> (Conductivity transmission) is selected in [Transmission output 1 type]: Conductivity range low limit to Conductivity range high limit When <i>TEMP</i> (Temperature transmission) is selected in [Transmission output 1 type]: 0.0 to 100.0°C 	Conductivity transmission: 0.00 mS/cm Temperature transmission: 0.0°C
<i>TrC2</i> bEFH	Transmission output 2 status when calibrating <ul style="list-style-type: none"> Selects Transmission output 2 output status when calibrating conductivity. Available only when Transmission output 2 (TA2 option) is ordered. Selection item: <i>bEFH</i>: Last value HOLD (Retains the last value before conductivity calibration, and outputs it.) <i>4EFH</i>: Set value HOLD (Outputs the value set in [Transmission output 2 value HOLD when calibrating].) <i>PHH</i>: Measured value (Outputs the measured value when calibrating conductivity.) 	Last value HOLD

Character	Setting Item, Function, Setting Range	Factory Default															
T42 □□□□	Transmission output 2 value HOLD when calibrating <ul style="list-style-type: none"> Sets Transmission output 2 value HOLD. Available only when <i>4ETH</i> (Set value HOLD) is selected in [Transmission output 2 status when calibrating]. Setting range: <ul style="list-style-type: none"> When <i>Ec□□</i> (Conductivity transmission) is selected in [Transmission output 2 type]: Conductivity range low limit to Conductivity range high limit When <i>TEñP</i> (Temperature transmission) is selected in [Transmission output 2 type]: 0.0 to 100.0°C 	Conductivity transmission: 0.00 mS/cm Temperature transmission: 0.0°C															
U4F □□□□	Auto-light function <ul style="list-style-type: none"> Selects Auto-light Enabled/Disabled. Selection item: <ul style="list-style-type: none"> □□□□ : Disabled <i>U4E□</i> : Enabled 	Disabled															
d14P ALL□	Display selection <ul style="list-style-type: none"> Selects items to be indicated on the Conductivity Display and Temperature Display. Selection item: <table border="1" data-bbox="379 833 1326 1028"> <thead> <tr> <th></th> <th>Conductivity Display</th> <th>Temperature Display</th> </tr> </thead> <tbody> <tr> <td><i>ALL□</i></td> <td>Conductivity</td> <td>Temperature</td> </tr> <tr> <td><i>Ec□□</i></td> <td>Conductivity</td> <td>No indication</td> </tr> <tr> <td><i>TEñP</i></td> <td>No indication</td> <td>Temperature</td> </tr> <tr> <td><i>none</i></td> <td>No indication</td> <td>No indication</td> </tr> </tbody> </table> 		Conductivity Display	Temperature Display	<i>ALL□</i>	Conductivity	Temperature	<i>Ec□□</i>	Conductivity	No indication	<i>TEñP</i>	No indication	Temperature	<i>none</i>	No indication	No indication	Conductivity/Temperature
	Conductivity Display	Temperature Display															
<i>ALL□</i>	Conductivity	Temperature															
<i>Ec□□</i>	Conductivity	No indication															
<i>TEñP</i>	No indication	Temperature															
<i>none</i>	No indication	No indication															
T1AE 0000	Indication time <ul style="list-style-type: none"> Sets the indication time of the displays from no key operation until displays go off. Displays remain lit when set to 00.00. If any errors occur or any key is pressed while in unlit status, the display will light up. Not available if <i>none</i> (No indication) is selected in [Display selection]. Setting range: <ul style="list-style-type: none"> 00.00 (Remains lit) 00.01 to 60.00 (Minutes.Seconds) 	00.00															
oFdP oFF□	Temperature Display when no temperature compensation <ul style="list-style-type: none"> Selects an item to be indicated on the Temperature Display when <i>oFF□</i> (No temperature compensation) is selected in [Temperature compensation method]. The placement of the decimal point for the reference temperature follows the selection. Available only when <i>oFF□</i> (No temperature compensation) is selected in [Temperature compensation method]. Selection item: <ul style="list-style-type: none"> <i>oFF□</i>: Unlit <i>4Fd□</i>: Reference temperature <i>Pb□□</i>: Measured value 	Unlit															

Character	Setting Item, Function, Setting Range	Factory Default
A1oF A1□	A1 output allocation <ul style="list-style-type: none"> • Selects A1 output allocation. For A1 output, A11 type, A12 type, A21 type and/or A22 type can be allocated. Output is OR output. • Not available if Transmission output 2 (TA2 option) is ordered. • Selection item: <ul style="list-style-type: none"> A1□ : A11 type A12□ : A12 type A21□ : A21 type A22□ : A22 type A1A1 : A11, A12 types A2A1 : A21, A22 types A1A2 : A11, A21 types A2A2 : A12, A22 types ALL□ : A11, A12, A21, A22 types 	A11 type
A2oF A2□	A2 output allocation <ul style="list-style-type: none"> • Selects A2 output allocation. For A2 output, A11 type, A12 type, A21 type and/or A22 type can be allocated. Output is OR output. • Not available if Transmission output 1 (TA option) or Transmission output 2 (TA2 option) is ordered. • Selection items are the same as those of A1 output allocation. (p.35) 	A21 type
oon1 □□□	Output ON time when A1 output ON <ul style="list-style-type: none"> • Sets Output ON time when A1 output is ON. If Output ON time and OFF time are set, A1 output can be turned ON/OFF in a configured cycle when A1 output is ON. (Fig. 8.4-1) • Not available if Transmission output 2 (TA2 option) is ordered. • Setting range: 0 to 9999 seconds <p style="text-align: center;">Timing chart (Output ON time and OFF time when A1 output is ON)</p>  <p style="text-align: center;">(Fig. 8.4-1)</p>	0 seconds

Character	Setting Item, Function, Setting Range	Factory Default
ooF1 □□□0	Output OFF time when A1 output ON <ul style="list-style-type: none"> • Sets Output OFF time when A1 output is ON. If Output ON time and OFF time are set, A1 output can be turned ON/OFF in a configured cycle when A1 output is ON. (Fig. 8.4-1) (p.35) • Not available if Transmission output 2 (TA2 option) is ordered. • Setting range: 0 to 9999 seconds 	0 seconds
oon2 □□□0	Output ON time when A2 output ON <ul style="list-style-type: none"> • Sets Output ON time when A2 output is ON. If Output ON time and OFF time are set, A2 output can be turned ON/OFF in a configured cycle when A2 output is ON. (Fig. 8.4-1) (p.35) • Not available if Transmission output 1 (TA option) or Transmission output 2 (TA2 option) is ordered. • Setting range: 0 to 9999 seconds 	0 seconds
ooF2 □□□0	Output OFF time when A2 output ON <ul style="list-style-type: none"> • Sets Output OFF time when A2 output is ON. If Output ON time and OFF time are set, A2 output can be turned ON/OFF in a configured cycle when A2 output is ON. (Fig. 8.4-1) (p.35) • Not available if Transmission output 1 (TA option) or Transmission output 2 (TA2 option) is ordered. • Setting range: 0 to 9999 seconds 	0 seconds
R1E□ □□□□	A1 conductivity input error alarm A□□ type <ul style="list-style-type: none"> • Selects an A□□ type in order to assess A1 conductivity input error alarm. • Not available if Transmission output 2 (TA2 option) is ordered. • Selection item □□□□ : No action R11□ : A11 type R12□ : A12 type R21□ : A21 type R22□ : A22 type 	No action
R2E□ □□□□	A2 conductivity input error alarm A□□ type <ul style="list-style-type: none"> • Selects A□□ type in order to assess A2 conductivity input error alarm. • Not available if Transmission output 1 (TA option) or Transmission output 2 (TA2 option) is ordered. • Selection item □□□□ : No action R11□ : A11 type R12□ : A12 type R21□ : A21 type R22□ : A22 type 	No action

Character	Setting Item, Function, Setting Range	Factory Default
A1E _o □□□	A1 conductivity input error alarm band when A□□ output ON <ul style="list-style-type: none"> • Sets the band to assess A1 conductivity input error alarm when A□□ output is ON. Refer to 'Conductivity Input Error Alarm' on p.38. • Not available if Transmission output 2 (TA2 option) is ordered. • Setting range: Conductivity range low limit to Conductivity range high limit When set to 0.0 or 0.00, Conductivity input error alarm is disabled. 	0.00 mS/cm
A1o _T □□□	A1 conductivity input error alarm time when A□□ output ON <ul style="list-style-type: none"> • Sets time to assess A1 conductivity input error alarm when A□□ output is ON. Refer to 'Conductivity Input Error Alarm' on p.38. • Not available if Transmission output 2 (TA2 option) is ordered. • Setting range: 0 to 9999 seconds or minutes (Time unit follows the selection in [Conductivity input error alarm time unit].) When set to 0, Conductivity input error alarm is disabled. 	0 seconds
A1E _e □□□	A1 conductivity input error alarm band when A□□ output OFF <ul style="list-style-type: none"> • Sets the band to assess A1 conductivity input error alarm when A□□ output is OFF. Refer to 'Conductivity Input Error Alarm' on p.38. • Not available if Transmission output 2 (TA2 option) is ordered. • Setting range: Conductivity range low limit to Conductivity range high limit When set to 0.0 or 0.00, Conductivity input error alarm is disabled. 	0.00 mS/cm
A1e _T □□□	A1 conductivity input error alarm time when A□□ output OFF <ul style="list-style-type: none"> • Sets time to assess A1 conductivity input error alarm when A□□ output is OFF. Refer to 'Conductivity Input Error Alarm' on p.38. • Not available if Transmission output 2 (TA2 option) is ordered. • Setting range: 0 to 9999 seconds or minutes (Time unit follows the selection in [Conductivity input error alarm time unit].) When set to 0, Conductivity input error alarm is disabled. 	0 seconds
A2E _o □□□	A2 conductivity input error alarm band when A□□ output ON <ul style="list-style-type: none"> • Sets the band to assess A2 conductivity input error alarm when A□□ output is ON. Refer to 'Conductivity Input Error Alarm' on p.38. • Not available if Transmission output 1 (TA option) or Transmission output 2 (TA2 option) is ordered. • Setting range: Conductivity range low limit to Conductivity range high limit When set to 0.0 or 0.00, Conductivity input error alarm is disabled. 	0.00 mS/cm

Character	Setting Item, Function, Setting Range	Factory Default
A2aF □□□0	A2 conductivity input error alarm time when A□□ output ON <ul style="list-style-type: none"> • Sets time to assess A2 conductivity input error alarm when A□□ output is ON. Refer to 'Conductivity Input Error Alarm' on p.38. • Not available if Transmission output 1 (TA option) or Transmission output 2 (TA2 option) is ordered. • Setting range: 0 to 9999 seconds or minutes (Time unit follows the selection in [Conductivity input error alarm time unit].) When set to 0, Conductivity input error alarm is disabled. 	0 seconds
A2Ec □000	A2 conductivity input error alarm band when A□□ output OFF <ul style="list-style-type: none"> • Sets the band to assess A2 conductivity input error alarm when A□□ output is OFF. Refer to 'Conductivity Input Error Alarm' on p.38. • Not available if Transmission output 1 (TA option) or Transmission output 2 (TA2 option) is ordered. • Setting range: Conductivity range low limit to Conductivity range high limit When set to 0.0 or 0.00, Conductivity input error alarm is disabled. 	0.00 mS/cm
A2aF □□□0	A2 conductivity input error alarm time when A□□ output OFF <ul style="list-style-type: none"> • Sets time to assess A2 conductivity input error alarm when A□□ output is OFF. Refer to 'Conductivity Input Error Alarm' on p.38. • Not available if Transmission output 1 (TA option) or Transmission output 2 (TA2 option) is ordered. • Setting range: 0 to 9999 seconds or minutes (Time unit follows the selection in [Conductivity input error alarm time unit].) When set to 0, Conductivity input error alarm is disabled. 	0 seconds
nL□ 4Ec□	Conductivity input error alarm time unit <ul style="list-style-type: none"> • Selects conductivity input error alarm time unit. • Selection item: 4Ec□ : Second(s) nL n□ : Minute(s) 	Second(s)

• Conductivity Input Error Alarm

Conductivity input error alarm is used for detecting actuator trouble.

Even if Conductivity input error alarm time has elapsed – if conductivity input does not become higher than conductivity input error alarm band – the instrument assumes that actuator trouble has occurred, and sets Status flag 2.

In Serial communication, status can be read by reading Status flag 2 (A1, A2 conductivity input error alarm output flag bit).

Conductivity input error alarm is disabled during Conductivity Zero or Span adjustment.

Conductivity input error alarm is enabled only when E_{c-L} (Conductivity input low limit action) or E_{c-H} (Conductivity input high limit action) is selected in [A11, A12, A21, A22 type (pp.22, 23)].

9. Calibration

Conductivity calibration mode, Temperature calibration mode, and Transmission output 1 and 2 adjustment modes are described below.

9.1 Conductivity Calibration Mode

Deterioration of the 4-electrode Conductivity Sensor might cause the cell constant to change.

To correct the changed cell constant, conductivity calibration must be performed.

Calibrate Conductivity Zero adjustment first, followed by Conductivity Span adjustment.

During conductivity calibration, $A_{\square\square}$ action is forced OFF.

However, if L_{OC1} (Lock 1), L_{OC2} (Lock 2) or L_{OC3} (Lock 3) is selected in [Set value lock (p.31)], the unit cannot move to Conductivity calibration mode.

The following outlines the procedure for conductivity calibration.

- ① When selecting $bEFH$ (Last value HOLD) in [Transmission output 1 status when calibrating (p.33)] or [Transmission output 2 status when calibrating (p.33)], select it while the 4-electrode Conductivity Sensor is being immersed in the solution currently measured.
- ② Do not immerse the 4-electrode Conductivity Sensor in the standard solution.
- ③ Press and hold the ∇ key and CAL key (in that order) together for 3 seconds in Conductivity/ Temperature Display Mode.

The unit enters Conductivity calibration Zero adjustment mode, and indicates the following.

Display	Indication
Conductivity Display	$Adj\bar{0}$ and conductivity are indicated alternately.
Temperature Display	Conductivity Zero adjustment value

- ④ Set the Conductivity Zero adjustment value with the \triangle or ∇ key so that the conductivity becomes 0. If conductivity is 0, this adjustment is not necessary. Setting range of the Conductivity Zero adjustment value differs depending on the measurement range. See (Table 9.1-1.). (p. 40)
However, it is effective within the measurement range regardless of the Conductivity Zero adjustment value.

(Table 9.1-1)




Measurement Range		Conductivity Zero Adjustment Value Setting Range
Cell constant 1.0/cm	0.00 to 20.00 mS/cm	-2.00 to 2.00 mS/cm
	0.0 to 200.0 mS/cm	-20.0 to 20.0 mS/cm
	0.0 to 500.0 mS/cm	-50.0 to 50.0 mS/cm
	0 to 500 mS/cm	-50 to 50 mS/cm
	0.000 to 2.000 mS/cm	-0.200 to 0.200 mS/cm
	0.000 to 5.000 mS/cm	-0.500 to 0.500 mS/cm
	0.00 to 50.00 mS/cm	-5.00 to 5.00 mS/cm
	0 to 2000 μ S/cm	-200 to 200 μ S/cm
	0 to 5000 μ S/cm	-500 to 500 μ S/cm
	0.000 to 2.000 S/m	-0.200 to 0.200 S/m
	0.00 to 20.00 S/m	-2.00 to 2.00 S/m
	0.00 to 50.00 S/m	-5.00 to 5.00 S/m
	0.0 to 50.0 S/m	-5.0 to 5.0 S/m
	0 to 2000 mS/m	-200 to 200 mS/m
	0.000 to 5.000 S/m	-0.500 to 0.500 S/m
	0.0 to 200.0 mS/m	-20.0 to 20.0 mS/m
	0.0 to 500.0 mS/m	-50.0 to 50.0 mS/m
	0.0 to 20.0 g/L	-2.0 to 2.0 g/L
	0 to 200 g/L	-20 to 20 g/L
	0 to 500 g/L	-50 to 50 g/L
0 to 2000 mg/L	-200 to 200 mg/L	
0 to 5000 mg/L	-500 to 500 mg/L	
Cell constant 10.0/cm	0.0 to 200.0 mS/cm	-20.0 to 20.0 mS/cm
	0.0 to 500.0 mS/cm	-50.0 to 50.0 mS/cm
	0 to 2000 mS/cm	-200 to 200 mS/cm
	0.00 to 20.00 S/m	-2.00 to 2.00 S/m
	0.00 to 50.00 S/m	-5.00 to 5.00 S/m
	0.0 to 200.0 S/m	-20.0 to 20.0 S/m
	0 to 200 g/L	-20 to 20 g/L
	0 to 500 g/L	-50 to 50 g/L
	0 to 2000 g/L	-200 to 200 g/L
Seawater salinity 0.00 to 4.00%		-0.40 to 0.40%
NaCl salinity 0.00 to 20.00%		-2.00 to 2.00%

- ⑤ Press the  key.

Conductivity Zero adjustment value will be registered, and the unit will move to Conductivity calibration Span adjustment mode.

The following is indicated in Conductivity calibration Span adjustment mode.

Display	Indication
Conductivity Display	<i>Adj</i> and conductivity are indicated alternately.
Temperature Display	Conductivity Span adjustment value

- ⑥ Immerse the 4-electrode Conductivity Sensor in the standard solution.
- ⑦ Set the Conductivity Span adjustment value with the  or  key, checking the conductivity. Conductivity multiplied by the Span adjustment value is displayed.
Conductivity Span adjustment value: 0.700 to 1.300
- ⑧ Press the  key.

Conductivity Span adjustment value will be registered, and the unit will revert to Conductivity/ Temperature Display Mode.

9.2 Temperature Calibration Mode

To calibrate a temperature, set a temperature calibration value.

If $\square F F \square$ (No temperature compensation) is selected in [Temperature compensation method (p.30)], Temperature calibration mode is not available.

The unit cannot enter Temperature calibration mode in the following cases:

- When $L o c 1$ (Lock 1), $L o c 2$ (Lock 2) or $L o c 3$ (Lock 3) is selected in [Set value lock (p.31)].

When a sensor cannot be set at the exact location where measurement is desired, the resulting measured temperature may deviate from the temperature in the desired location. In this case, the desired temperature can be set for the desired location by setting a temperature calibration value. However, it is effective within the input rated range regardless of the temperature calibration value.

Temperature after calibration = Current temperature + (Temperature calibration value)

(e.g.) When current temperature is 23.5°C,

If temperature calibration value is set to 1.5°C: $23.5 + (1.5) = 25.0^{\circ}\text{C}$

If temperature calibration value is set to -1.5°C: $23.5 + (-1.5) = 22.0^{\circ}\text{C}$

The following outlines the procedure for temperature calibration.

- ① Press and hold the \triangle key and \square key (in that order) together for 3 seconds in Conductivity/Temperature Display Mode.

The unit proceeds to Temperature calibration mode, and indicates the following.

Display	Indication
Conductivity Display	$\square \square \square$ and temperature are indicated alternately.
Temperature Display	Temperature calibration value

- ② Set a temperature calibration value with the \triangle or ∇ key, checking temperature.
Setting range: -10.0 to 10.0°C

- ③ Press the $\begin{matrix} \text{SET} \\ \text{RESET} \end{matrix}$ key.

Temperature calibration is complete, and the unit reverts to Conductivity/Temperature Display Mode.

9.3 Transmission Output 1 Adjustment Mode

Fine adjustment of Transmission output 1 is performed.

WIL-102-ECH is adjusted at the factory, however, differences may occur between the indication value of the connected equipment (recorders, etc.) and output value of this instrument.



In this case, perform Transmission output 1 Zero and Span adjustments.

Transmission output 1 adjustment mode is available when Transmission output 1 (TA option) or Transmission output 2 (TA2 option) is ordered.

The unit cannot enter Transmission output 1 Zero adjustment mode in the following cases:



- During Conductivity Zero or Span adjustment, or temperature calibration
- When $LOC 1$ (Lock 1), $LOC 2$ (Lock 2) or $LOC 3$ (Lock 3) is selected in [Set value lock (p.31)]


The following outlines the procedure for Transmission output 1 adjustment.

- ① Press and hold the  key and  key (in that order) together for 3 seconds in Conductivity/Temperature Display Mode.

The unit enters Transmission output 1 Zero adjustment mode, and indicates the following.


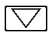
Display	Indication
Conductivity Display	<i>AJZ 1</i>
Temperature Display	Transmission output 1 Zero adjustment value

- ② Set a Transmission output 1 Zero adjustment value with the  or  key, while viewing the value indicated on the connected equipment (recorders, etc.).
Setting range: $\pm 5.00\%$ of Transmission output 1 span

- ③ Press the  key.

The unit enters Transmission output 1 Span adjustment mode, and indicates the following.


Display	Indication
Conductivity Display	<i>AJ4 1</i>
Temperature Display	Transmission output 1 Span adjustment value

- ④ Set a Transmission output 1 Span adjustment value with the  or  key, while viewing the value indicated on the connected equipment (recorders, etc.).
Setting range: $\pm 5.00\%$ of Transmission output 1 span

- ⑤ Press the  key.

The unit reverts to Transmission output 1 Zero adjustment mode.

Repeat steps ② to ⑤ if necessary.

- ⑥ To finish Transmission output 1 adjustment, press the  key in Transmission output 1 Span adjustment mode.

The unit reverts to Conductivity/Temperature Display Mode.

9.4 Transmission Output 2 Adjustment Mode

Fine adjustment of Transmission output 2 is performed.

WIL-102-ECH is adjusted at the factory, however, differences may occur between the indication value of the connected equipment (recorders, etc.) and output value of this instrument.


In this case, perform Transmission output 2 Zero and Span adjustments.

Transmission output 2 adjustment mode is available only when Transmission output 2 (TA2 option) is ordered.

The unit cannot enter Transmission output 2 Zero adjustment mode in the following cases:



- During Conductivity Zero or Span adjustment, or temperature calibration
- When $LOC 1$ (Lock 1), $LOC 2$ (Lock 2) or $LOC 3$ (Lock 3) is selected in [Set value lock (p.31)]


The following outlines the procedure for Transmission output 2 adjustment.

- ① Press and hold the  key and  key (in that order) together for 3 seconds in Conductivity/Temperature Display Mode.

The unit enters Transmission output 2 Zero adjustment mode, and indicates the following.



Display	Indication
Conductivity Display	<i>AJZ</i>
Temperature Display	Transmission output 2 Zero adjustment value

- ② Set a Transmission output 2 Zero adjustment value with the  or  key, while viewing the value indicated on the connected equipment (recorders, etc.).
Setting range: $\pm 5.00\%$ of Transmission output 2 span

- ③ Press the  key.

The unit enters Transmission output 2 Span adjustment mode, and indicates the following.


Display	Indication
Conductivity Display	<i>AJZ</i>
Temperature Display	Transmission output 2 Span adjustment value

- ④ Set a Transmission output 2 Span adjustment value with the  or  key, while viewing the value indicated on the connected equipment (recorders, etc.).
Setting range: $\pm 5.00\%$ of Transmission output 2 span

- ⑤ Press the  key.

The unit reverts to Transmission output 2 Zero adjustment mode.

Repeat steps ② to ⑤ if necessary.

- ⑥ To finish Transmission output 2 adjustment, press the  key in Transmission output 2 Span adjustment mode.

The unit reverts to Conductivity/Temperature Display Mode.

10. Measurement

10.1 Starting Measurement

After mounting to the control panel, wiring, setup and calibration are complete, turn the power to the instrument ON.

For approximately 4 seconds after the power is switched ON, the input characters are indicated on the Conductivity Display and Temperature Display. See (Table 10.1-1).

(Table 10.1-1)

Display	Character	Measurement Unit	
Conductivity Display	<i>COND</i>	Conductivity (mS/cm, μ S/cm)	
	<i>41</i> □ □	Conductivity (S/m, mS/m)	
	<i>4EA</i> □	Seawater salinity (%)	
	<i>4AL</i> □	NaCl salinity (%)	
	<i>TD4</i> □	TDS conversion (g/L, mg/L)	
Display	Character	Input Temperature Specification (*)	Selection Item in [Pt100 Input Wire Type] (p.30)
Temperature Display	<i>PT</i> □ <i>2</i>	Pt100	<i>PT</i> □ <i>2</i> : 2-wire type
	<i>PT</i> □ <i>3</i>		<i>PT</i> □ <i>3</i> : 3-wire type
	<i>PT</i> <i>10</i>	Pt1000	

(*) This input temperature specification was specified at the time of ordering.

During this time, all outputs are in OFF status, and the LED indicators except PWR Indicator are unlit. Measurement will then start, indicating the item selected in [Display selection (p.34)].

10.2 A□□ Output

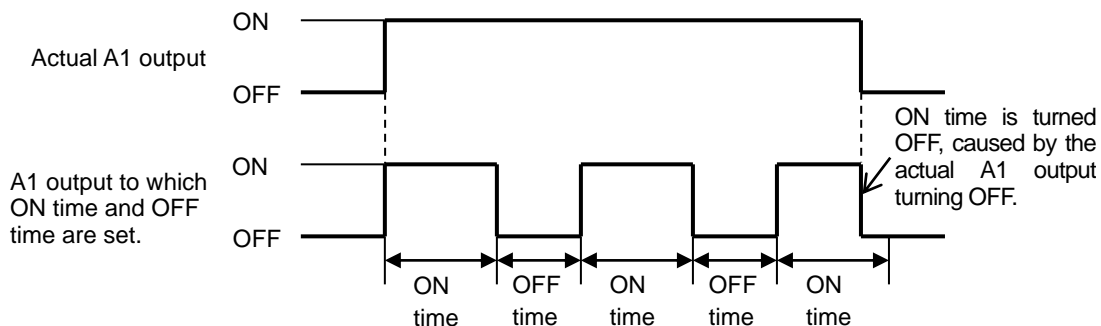
When *EC-L* (Conductivity input low limit action), *EC-H* (Conductivity input high limit action), *TNPL* (Temperature input low limit action), or *TNPH* (Temperature input high limit action) is selected in [A11, A12, A21, A22 type (pp. 22, 23)], the A□□ output is turned ON if the measured value exceeds or drops below the A□□ value.

When *EC-HL* (Conductivity input High/Low limits independent action), *TNHL* (Temperature input High/Low limits independent action) is selected in [A11, A12, A21, A22 type (pp. 22, 23)], the A□□ output is turned ON if the measured value exceeds the A□□ High/Low limits independent action upper side span, or drops below the lower side span.

A1 or A2 output is turned ON depending on the selection in [A1/A2 output allocation (p.35)] and in [Output ON time/OFF time when A1/A2 output is ON (pp. 35, 36)].

If Output ON time and OFF time are set, A1 or A2 output can be turned ON/OFF in a configured cycle when A1 or A2 output is ON. (Fig. 10.2-1)

Timing chart (Output ON time and OFF time when A1 output is ON)



(Fig. 10.2-1)

A□□ output status can be read by reading Status flag 1 (A11, A12, A21, A22 output flag bit) in Serial communication.

A□□ output status, when input errors occur, differs depending on the selection in [A□□ output when input errors occur (p.29)].

- If *OFF* □ (Disabled) is selected, A□□ output and A□□ output status will be turned OFF when input errors occur.
- If *ON* □ (Enabled) is selected, A□□ output and A□□ output status will be maintained when input errors occur.

10.3 Conductivity Input Error Alarm

Conductivity input error alarm is used for detecting actuator trouble.

Even if conductivity input error alarm time (pp. 37, 38) has elapsed, and if conductivity input does not become higher than conductivity input error alarm band (pp. 37, 38), the unit assumes that actuator trouble has occurred, and writes Status flag 2.

In Serial communication, status can be read by reading Status flag 2 (A1, A2 conductivity input error alarm output flag bit).

Conductivity input error alarm is disabled during Conductivity Zero or Span adjustment.

Conductivity input error alarm is enabled only when E_{C-L} (Conductivity input low limit action) or E_{C-H} (Conductivity input high limit action) is selected in [A11, A12, A21, A22 type (pp.22, 23)].

10.4 Error Output

If E_{R-O} (Error output) is selected in [A11, A12, A21, A22 type (pp. 22, 23)], the A1 or A2 output will be turned ON when error type is "Error". See (Table 10.6-1).

10.5 Fail Output

If F_{R-I} (Fail output) is selected in [A11, A12, A21, A22 type (pp. 22, 23)], the A1 or A2 output will be turned ON when error type is "Fail". See (Table 10.6-1).

10.6 Error Code during Measurement

For Temperature sensor error or outside temperature compensation range during measurement, their corresponding error codes flash on the Temperature Display as shown below in (Table 10.6-1).

(Table 10.6-1)

Error Code	Error Type	Error Contents	Description	Occurrence
E_{R01}	Fail	Temperature sensor burnout	Temperature sensor lead wire is burnt out.	When measuring or calibrating
E_{R02}	Fail	Temperature sensor short-circuited	Temperature sensor lead wire is short-circuited.	
E_{R03}	Error	Outside temperature compensation range	Measured temperature has exceeded 110.0°C.	
E_{R04}	Error	Outside temperature compensation range	Measured temperature is less than 0.0°C.	

10.7 Transmission Output 1 and 2

Converting conductivity or temperature to analog signal every input sampling period, outputs in current. (Factory default: Transmission output 1: Conductivity, Transmission output 2: Temperature)

If OFF (No temperature compensation) is selected in [Temperature compensation method (p.30)], and if $TEMP$ (Temperature transmission) is selected in [Transmission output 1 or 2 type (p.32)], Transmission output 1 or 2 value differs depending on the selection in [Temperature Display when no temperature compensation (p.34)].

- If OFF (Unlit) or REF (Reference temperature) is selected, the value set in [Reference temperature (p.30)] will be output.
- If PH (Measured value) is selected, the measured value will be output.

If Transmission output 1 high limit and low limit are set to the same value, Transmission output 1 will be fixed at 4 mA DC.

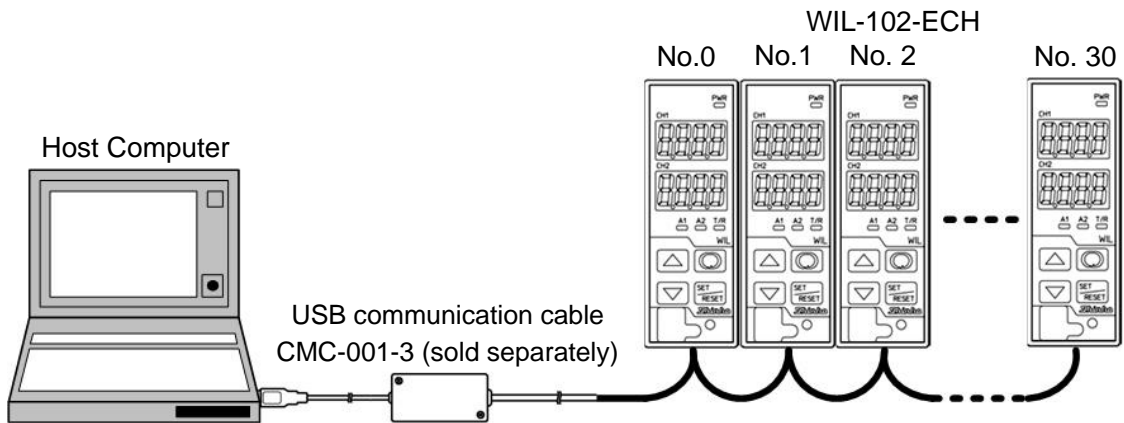
If Transmission output 2 high limit and low limit are set to the same value, Transmission output 2 will be fixed at 4 mA DC.

Resolution	12000
Current	4 to 20 mA DC (Load resistance: Max 550 Ω)
Output accuracy	Within ±0.3% of Transmission output 1 or 2 span

11. Communication

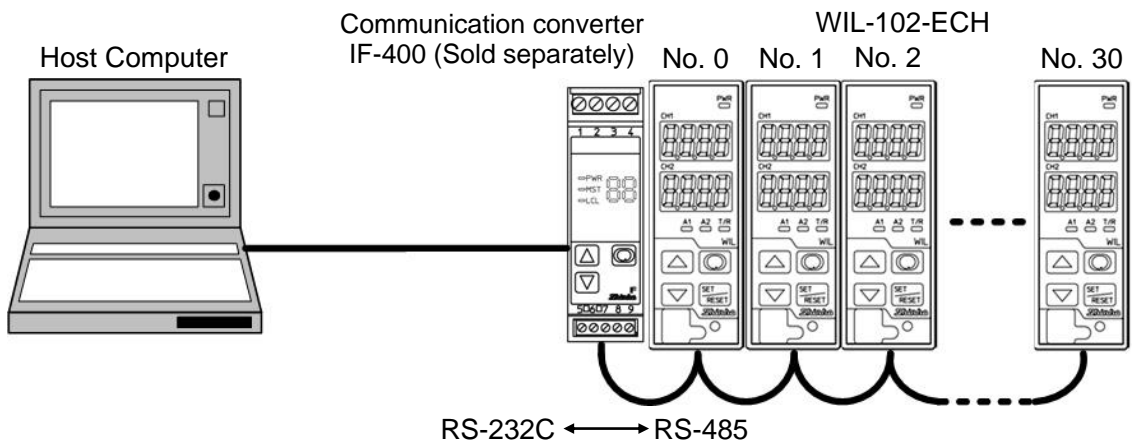
11.1 System Configuration Example

When Using USB Communication Cable CMC-001-3 (sold separately)



(Fig. 11.1-1)

When Using Communication Converter IF-400 (sold separately)








(Fig. 11.1-2)


11.2 Setting Method of the Conductivity Meter

Communication parameters can be set in the Basic Function Group.

To enter the Basic Function Group, follow the procedure below.

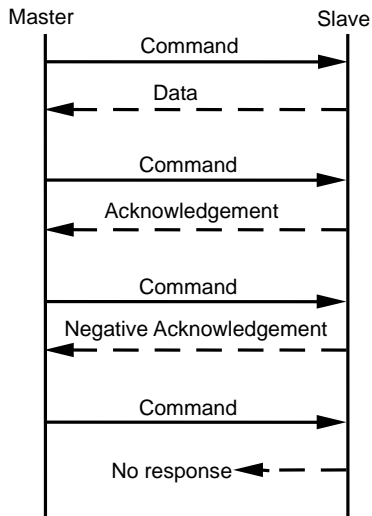
- ① \overline{OFF} Press the  key 3 times in Conductivity/Temperature Display Mode.
- ② $\overline{c\bar{n}4L}$ Press the  key twice. "Communication protocol" will appear.
- ③ Set each item. (Use the  or  key for settings, and register the selection/value with the  key.)

Character	Setting Item, Function, Setting Range	Factory Default
$\overline{c\bar{n}4L}$ $\overline{no\bar{n}L}$	Communication protocol <ul style="list-style-type: none"> • Selects communication protocol. • Selection item: <ul style="list-style-type: none"> $\overline{no\bar{n}L}$: Shinko protocol $\overline{no\bar{d}A}$: MODBUS ASCII mode $\overline{no\bar{d}R}$: MODBUS RTU mode 	Shinko protocol
$\overline{c\bar{n}n0}$ $\overline{0000}$	Instrument number <ul style="list-style-type: none"> • Sets the instrument number. The instrument numbers should be set one by one when multiple instruments are connected in Serial communication, otherwise communication is impossible. • Setting range: 0 to 95 	0
$\overline{c\bar{n}4P}$ $\overline{0096}$	Communication speed <ul style="list-style-type: none"> • Selects a communication speed equal to that of the host computer. • Selection item: <ul style="list-style-type: none"> $\overline{0096}$: 9600 bps $\overline{0192}$: 19200 bps $\overline{0384}$: 38400 bps 	9600 bps
$\overline{c\bar{n}F1}$ $\overline{7EBn}$	Data bit/Parity <ul style="list-style-type: none"> • Selects data bit and parity. • Selection item: <ul style="list-style-type: none"> $\overline{8non}$: 8 bits/No parity $\overline{7non}$: 7 bits/No parity $\overline{8EBn}$: 8 bits/Even $\overline{7EBn}$: 7 bits/Even $\overline{8odd}$: 8 bits/Odd $\overline{7odd}$: 7 bits/Odd 	7 bits/Even
$\overline{c\bar{n}4f}$ $\overline{0001}$	Stop bit <ul style="list-style-type: none"> • Selects the stop bit. • Selection item: <ul style="list-style-type: none"> $\overline{0001}$: 1 bit $\overline{0002}$: 2 bits 	1 bit

- ④ Press the  key multiple times.
The unit reverts to Conductivity/Temperature Display Mode.

11.3 Communication Procedure

Communication starts with command transmission from the host computer (hereafter Master) and ends with the response of the WIL-102-ECH (hereafter Slave).



(Fig. 11.3-1)

• Response with Data

When the master sends the reading command, the slave responds with the corresponding set value or current status.

• Acknowledgement

When the master sends the setting command, the slave responds by sending acknowledgement after the processing is terminated.

• Negative Acknowledgement

When the master sends a non-existent command or value out of the setting range, the slave returns a negative acknowledgement.

• No Response

The slave will not respond to the master in the following cases:

- Global address (Shinko protocol) is set.
- Broadcast address (MODBUS protocol) is set.
- Communication error (framing error, parity error)
- Checksum error (Shinko protocol), LRC discrepancy (MODBUS ASCII mode), CRC-16 discrepancy (MODBUS RTU mode)

Communication Timing of the RS-485

Master Side (Take note while programming)

When the master starts transmission through the RS-485 communication line, the master is arranged so as to provide an idle status (mark status) transmission period of 1 or more characters before sending the command to ensure synchronization on the receiving side.

Set the program so that the master can disconnect the transmitter from the communication line within a 1-character transmission period after sending the command in preparation for reception of the response from the slave.

To avoid collision of transmissions between the master and the slave, send the next command after carefully checking that the master has received the response.

If a response to the command is not returned due to communication errors, set the Retry Processing to send the command again. (It is recommended to execute Retry twice or more.)

Slave Side

When the slave starts transmission through the RS-485 communication line, the slave is arranged so as to provide an idle status (mark status) transmission period of 1 or more characters before sending the response to ensure synchronization on the receiving side.

The slave is arranged so as to disconnect the transmitter from the communication line within a 1-character transmission period after sending the response.

11.4 Shinko Protocol

11.4.1 Transmission Mode

Shinko protocol is composed of ASCII.

Hexadecimal (0 to 9, A to F), which is divided into high order (4-bit) and low order (4-bit) out of 8-bit binary data in command is transmitted as ASCII characters.

Data format Start bit: 1 bit
 Data bit: 7 bits
 Parity: Even
 Stop bit: 1 bit

Error detection: Checksum

11.4.2 Command Configuration

All commands are composed of ASCII.

The data (set value, decimal number) is represented by hexadecimal numbers.

The negative numbers are represented in 2's complement.

Numerals written below the command represent number of characters.

(1) Setting Command

Header (02H)	Address	Sub address (20H)	Command type (50H)	Data item	Data	Checksum	Delimiter (03H)
1	1	1	1	4	4	2	1

(Fig. 11.4.2-1)

(2) Reading Command

Header (02H)	Address	Sub address (20H)	Command type (20H)	Data item	Checksum	Delimiter (03H)
1	1	1	1	4	2	1

(Fig. 11.4.2-2)

(3) Response with Data

Header (06H)	Address	Sub address (20H)	Command type (20H)	Data item	Data	Checksum	Delimiter (03H)
1	1	1	1	4	4	2	1

(Fig. 11.4.2-3)

(4) Acknowledgement

Header (06H)	Address	Checksum	Delimiter (03H)
1	1	2	1

(Fig. 11.4.2-4)

(5) Negative Acknowledgement

Header (15H)	Address	Error code	Checksum	Delimiter (03H)
1	1	1	2	1

(Fig. 11.4.2-5)

Header: Control code to represent the beginning of the command or the response.

ASCII codes are used.

Setting command, Reading command: STX (02H) fixed

Response with data, Acknowledgement: ACK (06H) fixed

Negative acknowledgement: NAK (15H) fixed

Instrument Number (Address): Numbers by which the master discerns each slave.

Instrument numbers 0 to 94 and Global address 95.

ASCII codes (20H to 7FH) are used by adding 20H to instrument numbers 0 to 95 (00H to 5FH).

95 (7FH) is called Global address, which is used when the same command is sent to all the slaves connected. However, the response is not returned.

Sub Address: 20H fixed

Command Type: Code to discern Setting command (50H) and Reading command (20H).

- Data Item:** Classification of the command object.
Composed of 4-digit hexadecimal numbers, using ASCII.
(Refer to "11.6. Communication Command Table".) (pp.55 to 63)
- Data:** The contents of data (set value) differ depending on the setting command.
Composed of 4-digit hexadecimal numbers, using ASCII.
(Refer to "11.6. Communication Command Table".) (pp.55 to 63)
- Checksum:** 2-character data to detect communication errors.
(Refer to "11.4.3 Checksum Calculation".) (p.50)
- Delimiter:** Control code to represent the end of command.
ASCII code ETX (03H) fixed
- Error Code:** Represents an error type, using ASCII.
1 (31H)-----Non-existent command
2 (32H)-----Not used
3 (33H)-----Setting outside the setting range
4 (34H)-----Status unable to be set (e.g. During calibration mode)
5 (35H)-----During setting mode by keypad operation

11.4.3 Checksum Calculation

Checksum is used to detect receiving errors in the command or data.

Set the program for the master side as well to calculate the checksum of the response data from the slaves so that communication errors can be checked.

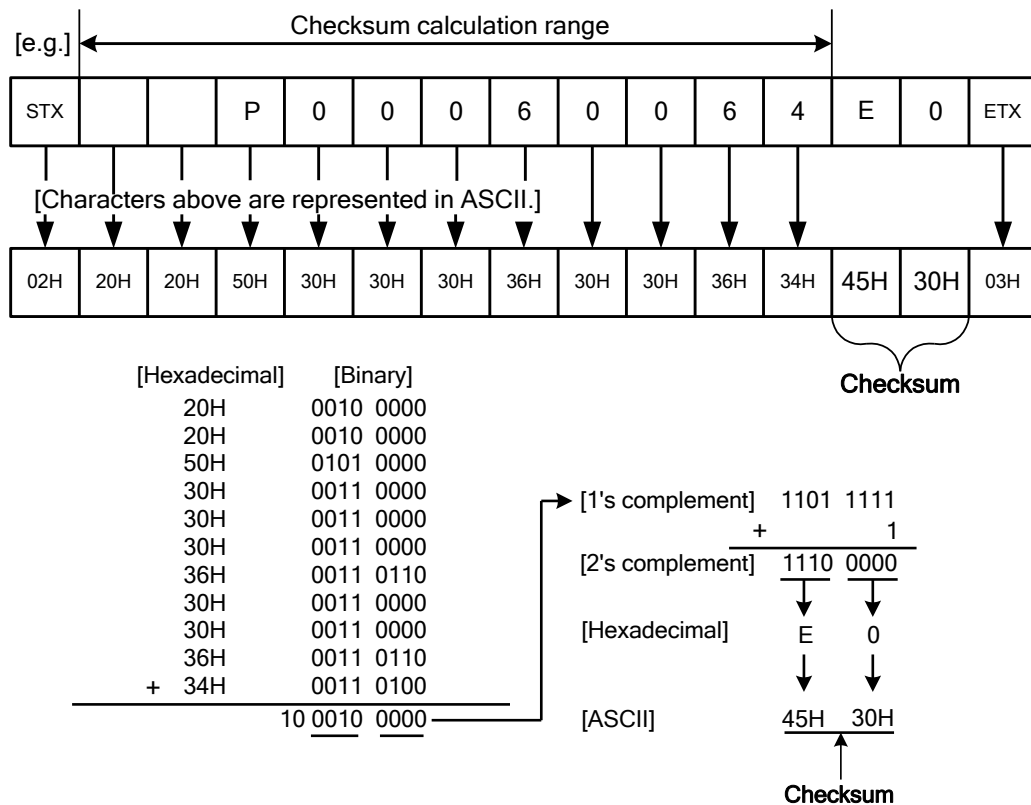
The ASCII code (hexadecimal) corresponding to the characters which range from the address to that before the checksum is converted to binary notation, and the total value is calculated. The lower one byte of the total value is converted to 2's complement, and then to hexadecimal numbers, that is, ASCII code for the checksum.

- 1's complement: Reverse each binary bit. 0 will become 1 and vice versa.
- 2's complement: Add 1 to 1's complement.

Checksum Calculation Example

A11 value: 1.00 (0064H)

Address (instrument number) : 0 (20H)



(Fig. 11.4.3-1)

11.5 MODBUS Protocol

11.5.1 Transmission Mode

There are 2 transmission modes (ASCII and RTU) in MODBUS protocol.

ASCII Mode

Hexadecimal (0 to 9, A to F), which is divided into high order (4-bit) and low order (4-bit) out of 8-bit binary data in command is transmitted as ASCII characters.

Data format Start bit: 1 bit
 Data bit: 7 bits (8 bits) (Selectable)
 Parity: Even (No parity, Odd) (Selectable)
 Stop bit: 1 bit (2 bits) (Selectable)
 Error detection : LRC (Longitudinal Redundancy Check)

RTU Mode

8-bit binary data in command is transmitted as it is.

Data format Start bit: 1 bit
 Data bit: 8 bits
 Parity: No parity (Even, Odd) (Selectable)
 Stop bit: 1 bit (2 bits) (Selectable)
 Error detection: CRC-16 (Cyclic Redundancy Check)

11.5.2 Data Communication Interval

ASCII Mode

Max.1 second of interval between ASCII mode characters

RTU Mode

Communication speed 9600 bps, 19200 bps:

To transmit continuously, an interval between characters which consist of one message, must be within 1.5-character transmission times.

Communication speed 38400 bps:

To transmit continuously, an interval between characters which consist of one message, must be within 750 μ s.

If an interval lasts longer than 1.5-character transmission times or 750 μ s, the WIL-102-ECH assumes that transmission from the master is finished, which results in a communication error, and will not return a response.

11.5.3 Message Configuration

ASCII Mode

ASCII mode message is configured to start by Header [: (colon)(3AH)] and end by Delimiter [CR (carriage return) (0DH) + LF (Line feed)(0AH)].

Header (:)	Slave Address	Function Code	Data	Error Check LRC	Delimiter (CR)	Delimiter (LF)
---------------	------------------	------------------	------	--------------------	-------------------	-------------------

RTU Mode

Communication speed 9600 bps, 19200 bps: RTU mode is configured to start after idle time is processed for more than 3.5-character transmissions, and end after idle time is processed for more than 3.5-character transmissions.

Communication speed 38400 bps: RTU mode is configured to start after idle time is processed for more than 1.75 ms, and end after idle time is processed for more than 1.75 ms.

3.5 Idle Characters	Slave Address	Function Code	Data	Error Check CRC-16	3.5 Idle Characters
------------------------	------------------	------------------	------	-----------------------	------------------------

(1) Slave Address

Slave address is an individual instrument number on the slave side, and is set within the range 0 to 95 (00H to 5FH).

The master identifies slaves by the slave address of the requested message.

The slave informs the master which slave is responding to the master by placing its own address in the response message.

Slave address 00H (Broadcast address) can identify all the slaves connected. However, slaves do not respond.

(2) Function Code

The function code is the command code for the slave to undertake the following action types.

(Table 11.5.3-1)

Function Code	Contents
03 (03H)	Reading the set value and information from slaves
06 (06H)	Setting to slaves

Function code is used to discern whether the response is normal (acknowledgement) or if any error (negative acknowledgement) has occurred when the slave returns the response message to the master. When acknowledgement is returned, the slave simply returns the original function code.

When negative acknowledgement is returned, the MSB of the original function code is set as 1 for the response.

(For example, when the master sends request message setting 10H to the function code by mistake, slave returns 90H by setting the MSB to 1, because the former is an illegal function.)

For negative acknowledgement, the exception codes below (Table 11.5.3-2) are set to the data of the response message, and returned to the master in order to inform it of what kind of error has occurred.

(Table 11.5.3-2)

Exception Code	Contents
1 (01H)	Illegal function (Non-existent function)
2 (02H)	Illegal data address (Non-existent data address)
3 (03H)	Illegal data value (Value out of the setting range)
17 (11H)	Shinko protocol error code 4 [Status unable to be set (e.g.) During calibration mode]
18 (12H)	Shinko protocol error code 5 (During setting mode by keypad operation)

(3) Data

Data differs depending on the function code.

A request message from the master is composed of data item, amount of data and setting data.

A response message from the slave is composed of the byte count, data and exception codes in negative acknowledgements, corresponding to the request message.

Effective range of data is -32768 to 32767 (8000H to 7FFFH).

(4) Error Check

ASCII Mode

After calculating LRC (Longitudinal Redundancy Check) from the slave address to the end of data, the calculated 8-bit data is converted to two ASCII characters, and are appended to the end of message.

How to Calculate LRC

- ① Create a message in RTU mode.
- ② Add all the values from the slave address to the end of data. This is assumed as X.
- ③ Make a complement for X (bit reverse). This is assumed as X.
- ④ Add a value of 1 to X. This is assumed as X.
- ⑤ Set X as an LRC to the end of the message.
- ⑥ Convert the whole message to ASCII characters.

RTU Mode

After calculating CRC-16 (Cyclic Redundancy Check) from the slave address to the end of the data, the calculated 16-bit data is appended to the end of message in sequence from low order to high order.

How to calculate CRC-16

In the CRC-16 system, the information is divided by the polynomial series. The remainder is added to the end of the information and transmitted. The generation of a polynomial series is as follows.

(Generation of polynomial series: $X^{16} + X^{15} + X^2 + 1$)

- ① Initialize the CRC-16 data (assumed as X) (FFFFH).
- ② Calculate exclusive OR (XOR) with the 1st data and X. This is assumed as X.
- ③ Shift X one bit to the right. This is assumed as X.
- ④ When a carry is generated as a result of the shift, XOR is calculated by X of ③ and the fixed value (A001H). This is assumed as X. If a carry is not generated, go to step ⑤.
- ⑤ Repeat steps ③ and ④ until shifting 8 times.
- ⑥ XOR is calculated with the next data and X. This is assumed as X.
- ⑦ Repeat steps ③ to ⑤.
- ⑧ Repeat steps ③ to ⑤ up to the final data.
- ⑨ Set X as CRC-16 to the end of message in sequence from low order to high order.

11.5.4 Message Example

ASCII Mode

Numerals written below the command represent the number of characters.

① Reading [Slave address 1, Data item 0080H (Conductivity)]

- A request message from the master

Amount of data means how many data items are to be read. It is fixed as (30H 30H 30H 31H).

Header (3AH)	Slave Address (30H 31H)	Function Code (30H 33H)	Data Item [0080H] (30H 30H 38H 30H)	Amount of Data [0001H] (30H 30H 30H 31H)	Error Check LRC (37H 42H)	Delimiter (0DH 0AH)
1	2	2	4	4	2	2

- Response message from the slave in normal status [1.00 mS/cm (0064H)]

The response byte count means the byte count of the data which has been read.

It is fixed as (30H 32H).

Header (3AH)	Slave Address (30H 31H)	Function Code (30H 33H)	Response Byte Count [02H] (30H 32H)	Data [0064H] (30H 30H 36H 34H)	Error Check LRC (39H 36H)	Delimiter (0DH 0AH)
1	2	2	2	4	2	2

- Response message from the slave in exception (error) status (When a data item is incorrect)
The function code MSB is set to 1 for the response message in exception (error) status (83H).
The exception code 02H (Non-existent data address) is returned (error).

Header (3AH)	Slave Address (30H 31H)	Function Code (38H 33H)	Exception Code [02H] (30H 32H)	Error Check LRC (37H 41H)	Delimiter (0DH 0AH)
1	2	2	2	2	2

② Setting [Slave address 1, Data item 0006H (A11 value)]

- A request message from the master [When A11 value is set to 1.00 (0064H)]

Header (3AH)	Slave Address (30H 31H)	Function Code (30H 36H)	Data Item [0006H] (30H 30H 30H 36H)	Data [0064H] (30H 30H 36H 34H)	Error Check LRC (38H 44H)	Delimiter (0DH 0AH)
1	2	2	4	4	2	2

- Response message from the slave in normal status

Header (3AH)	Slave Address (30H 31H)	Function Code (30H 36H)	Data Item [0006H] (30H 30H 30H 36H)	Data [0064H] (30H 30H 36H 34H)	Error Check LRC (38H 44H)	Delimiter (0DH 0AH)
1	2	2	4	4	2	2

- Response message from the slave in exception (error) status (When a value out of the setting range is set)

The function code MSB is set to 1 for the response message in exception (error) status (86H).

The exception code 03H (Value out of the setting range) is returned (error).

Header (3AH)	Slave Address (30H 31H)	Function Code (38H 36H)	Exception Code [03H] (30H 33H)	Error Check LRC (37H 36H)	Delimiter (0DH 0AH)
1	2	2	2	2	2

RTU Mode

Numerals written below the command represent the number of characters.

① Reading [Slave address 1, Data item 0080H (Conductivity)]

- A request message from the master

Amount of data means how many data items are to be read. It is fixed as (0001H).

3.5 Idle Characters	Slave Address (01H)	Function Code (03H)	Data Item (0080H)	Amount of Data (0001H)	Error Check CRC-16 (85E2H)	3.5 Idle Characters
	1	1	2	2	2	

- Response message from the slave in normal status [1.00 mS/cm (0064H)]

The response byte count means the byte count of the data which has been read.

It is fixed as (02H).

3.5 Idle Characters	Slave Address (01H)	Function Code (03H)	Response Byte Count (02H)	Data (0064H)	Error Check CRC-16 (B9AFH)	3.5 Idle Characters
	1	1	1	2	2	

- Response message from the slave in exception (error) status (When data item is incorrect).

The function code MSB is set to 1 for the response message in exception (error) status (83H).

The exception code (02H: Non-existent data address) is returned (error).

3.5 Idle Characters	Slave Address (01H)	Function Code (83H)	Exception Code (02H)	Error Check CRC-16 (C0F1H)	3.5 Idle Characters
	1	1	1	2	

② Setting [Slave address 1, Data item 0006H (A11 value)]

- A request message from the master [When A11 value is set to 1.00 (0064H)]

3.5 Idle Characters	Slave Address (01H)	Function Code (06H)	Data Item (0006H)	Data (0064H)	Error Check CRC-16 (6820H)	3.5 Idle Characters
	1	1	2	2	2	

- Response message from the slave in normal status

3.5 Idle Characters	Slave Address (01H)	Function Code (06H)	Data Item (0006H)	Data (0064H)	Error Check CRC-16 (6820H)	3.5 Idle Characters
	1	1	2	2	2	

- Response message from the slave in exception (error) status (When a value out of the setting range is set)

The function code MSB is set to 1 for the response message in exception (error) status (86H).

The exception code (03H: Value out of the setting range) is returned (error).

3.5 Idle Characters	Slave Address (01H)	Function Code (86H)	Exception Code (03H)	Error Check CRC-16 (0261H)	3.5 Idle Characters
	1	1	1	2	

11.6 Communication Command Table

11.6.1 Notes about Setting/Reading Command

- The data (set value, decimal) is converted to hexadecimal numbers.
A negative number is represented in 2's complement.
- When connecting multiple slaves, the address (instrument number) must not be duplicated.
- Data item 0200H to 0209H (User save area 1 to 10) can be read or set in 1 word units.
Effective range of data is -32768 to 32767 (8000H to 7FFFH).
- MODBUS protocol uses Holding Register addresses. The Holding Register addresses are created as follows. A Shinko command data item is converted to decimal number, and the offset of 40001 is added. The result is the Holding Register address.

Using Data item 0001H (Sensor cell constant) as an example:

Data item in the sending message is 0001H, however, MODBUS protocol Holding Register address is 40002 (1 + 40001).

- Even if options are not ordered, setting or reading via software communication will be possible. Command contents of the A11, A12, A21, A22 will function, however, Transmission output 1 and 2 command contents will not function.

(1) Setting Command

- Up to 1,000,000 (one million) entries can be stored in non-volatile IC memory.
If the number of settings exceeds the limit, the data will not be saved. So, ensure the set values are not frequently changed via software communication. (If a value set via software communication is the same as the value before the setting, the value will not be written in non-volatile IC memory.)
- Be sure to select Lock 3 when changing the set value frequently via software communication.
If Lock 3 is selected, all set values – except Sensor cell constant, Measurement unit, Measurement range, Conductivity Zero and Span adjustment values, Temperature calibration value, Transmission output 1 Zero and Span adjustment values, Transmission output 2 Zero and Span adjustment values – can be temporarily changed. However, they revert to their previous value after the power is turned off because they are not saved in the non-volatile IC memory.
Do not change setting items (A11, A12, A21 and A22 types). If they are changed, they will affect other setting items.
- Setting range of each item is the same as that of keypad operation.
- When the data (set value) has a decimal point, a whole number (hexadecimal) without a decimal point is used.
- If A11, A12, A21 or A22 type is changed at Data item 0005H (A11 type), 0050H (A12 type), 0051H (A21 type) or 052H (A22 type), the A11, A12, A21 or A22 value will default to 0.00 or 0.0.
The output status of A11, A12, A21 or A22 will also be initialized.
- Settings via software communication are possible while in Set value lock status.
- Communication parameters such as Instrument Number, Communication Speed of the slave cannot be set by software communication. They can only be set via the keypad. (p.47)
- When sending a command by Global address [95 (7FH), Shinko protocol] or Broadcast address [00H, MODBUS protocol], the same command is sent to all the slaves connected. However, the response is not returned.

(2) Reading Command

- When the data (set value) has a decimal point, a whole number (hexadecimal) without a decimal point is used for a response.

11.6.2 Setting/Reading Command

Shinko Command Type	MODBUS Function Code	Data Item		Data
50H/20H	06H/03H	0001H	Sensor cell constant	0000H: 1.0/cm 0001H: 10.0/cm
50H/20H	06H/03H	0002H	Cell constant correction value	Set value
50H/20H	06H/03H	0003H	Measurement unit	0000H: Conductivity (mS/cm, μ S/cm) 0001H: Conductivity (S/m, mS/m) 0002H: Seawater salinity (%) 0003H: NaCl salinity (%) 0004H: TDS conversion (g/L, mg/L)
50H/20H	06H/03H	0004H	Measurement range	<p>When 1.0/cm is selected in [Sensor cell constant], and Conductivity (mS/cm, μS/cm) in [Measurement unit]:</p> <p>0000H: 0.00 to 20.00 mS/cm 0001H: 0.0 to 200.0 mS/cm 0002H: 0.0 to 500.0 mS/cm 0003H: 0 to 500 mS/cm 0004H: 0.000 to 2.000 mS/cm 0005H: 0.000 to 5.000 mS/cm 0006H: 0.00 to 50.00 mS/cm 0007H: 0 to 2000 μS/cm 0008H: 0 to 5000 μS/cm</p> <p>When 1.0/cm is selected in [Sensor cell constant], and Conductivity (S/m, mS/m) in [Measurement unit]:</p> <p>0000H: 0.000 to 2.000 S/m 0001H: 0.00 to 20.00 S/m 0002H: 0.00 to 50.00 S/m 0003H: 0.0 to 50.0 S/m 0004H: 0 to 2000 mS/m 0005H: 0.000 to 5.000 S/m 0006H: 0.0 to 200.0 mS/m 0007H: 0.0 to 500.0 mS/m</p> <p>When 1.0/cm is selected in [Sensor cell constant], and TDS conversion (g/L, mg/L) in [Measurement unit]:</p> <p>0000H: 0.0 to 20.0 g/L 0001H: 0 to 200 g/L 0002H: 0 to 500 g/L 0003H: 0 to 2000 mg/L 0004H: 0 to 5000 mg/L</p> <p>When 10.0/cm is selected in [Sensor cell constant], and Conductivity (mS/cm, μS/cm) in [Measurement unit]:</p> <p>0000H: 0.0 to 200.0 mS/cm 0001H: 0.0 to 500.0 mS/cm 0002H: 0 to 2000 mS/cm</p> <p>When 10.0/cm is selected in [Sensor cell constant], and Conductivity (S/m, mS/m) in [Measurement unit]:</p> <p>0000H: 0.00 to 20.00 S/m 0001H: 0.00 to 50.00 S/m 0002H: 0.0 to 200.0 S/m</p>

Shinko Command Type	MODBUS Function Code	Data Item		Data
				When 10.0/cm is selected in [Sensor cell constant], and TDS conversion (g/L, mg/L) in [Measurement unit]: 0000H: 0 to 200 g/L 0001H: 0 to 500 g/L 0002H: 0 to 2000 g/L When Seawater salinity (%) is selected in [Measurement unit]: 0000H: 0.00 to 4.00% When NaCl salinity (%) is selected in [Measurement unit]: 0000H: 0.00 to 20.00%
50H/20H	06H/03H	0005H	A11 type	0000H: No action 0001H: Conductivity input low limit action 0002H: Conductivity input high limit action 0003H: Temperature input low limit action 0004H: Temperature input high limit action 0005H: Error output 0006H: Fail output 0007H: Conductivity input High/Low limits independent action 0008H: Temperature input High/Low limits independent action
50H/20H	06H/03H	0006H	A11 value	Set value
50H/20H	06H/03H	0007H	A11 ON side	Set value
50H/20H	06H/03H	0008H	A11 ON delay time	Set value
50H/20H	06H/03H	0009H	A11 OFF delay time	Set value
50H/20H	06H/03H	000AH	Conductivity input filter time constant	Set value
50H/20H	06H/03H	000BH	TDS conversion factor	Set value
50H/20H	06H/03H	0020H	Temperature compensation method	0000H: Temperature characteristics of NaCl 0001H: Temperature coefficient (%/°C) and a randomly selected reference temperature. 0002H: No temperature compensation
50H/20H	06H/03H	0021H	Temperature coefficient	Set value
50H/20H	06H/03H	0022H	Reference temperature	Set value
50H/20H	06H/03H	0023H	Temperature input decimal point place	0000H: No decimal point 0001H: 1 digit after decimal point
50H/20H	06H/03H	0029H	Temperature input filter time constant	Set value
50H/20H	06H/03H	0030H	Set value lock	0000H: Unlock 0001H: Lock 1 0002H: Lock 2 0003H: Lock 3
50H/20H	06H/03H	0031H	Transmission output 1 type	0000H: Conductivity transmission 0001H: Temperature transmission
50H/20H	06H/03H	0032H	Transmission output 1 high limit	Set value
50H/20H	06H/03H	0033H	Transmission output 1 low limit	Set value
50H/20H	06H/03H	0034H	Auto-light function	0000H: Disabled 0001H: Enabled

Shinko Command Type	MODBUS Function Code	Data Item		Data															
50H/20H	06H/03H	0035H	Display selection	<table border="1"> <thead> <tr> <th>Data</th> <th>Conductivity Display</th> <th>Temperature Display</th> </tr> </thead> <tbody> <tr> <td>0000H</td> <td>Conductivity</td> <td>Temperature</td> </tr> <tr> <td>0001H</td> <td>Conductivity</td> <td>No indication</td> </tr> <tr> <td>0002H</td> <td>No indication</td> <td>Temperature</td> </tr> <tr> <td>0003H</td> <td>No indication</td> <td>No indication</td> </tr> </tbody> </table>	Data	Conductivity Display	Temperature Display	0000H	Conductivity	Temperature	0001H	Conductivity	No indication	0002H	No indication	Temperature	0003H	No indication	No indication
Data	Conductivity Display	Temperature Display																	
0000H	Conductivity	Temperature																	
0001H	Conductivity	No indication																	
0002H	No indication	Temperature																	
0003H	No indication	No indication																	
50H/20H	06H/03H	0036H	Indication time	Set value															
50H	06H	0040H	Temperature calibration mode	0000H: Conductivity/Temperature Display Mode 0001H: Temperature calibration mode															
50H/20H	06H/03H	0041H	Temperature calibration value	Set value															
50H	06H	0042H	Conductivity calibration mode	0000H: Conductivity/Temperature Display Mode 0001H: Conductivity calibration Zero adjustment mode 0002H: Conductivity calibration Span adjustment mode															
50H/20H	06H/03H	0043H	Conductivity Zero adjustment value	Set value															
50H/20H	06H/03H	0044H	Conductivity Span adjustment value	Set value															
50H/20H	06H/03H	0045H	A□□ output when input errors occur	0000H: Enabled 0001H: Disabled															
50H/20H	06H/03H	0046H	Cable length correction	Set value															
50H/20H	06H/03H	0047H	Cable cross-section area	Set value															
50H/20H	06H/03H	0048H	Output ON time when A1 output is ON	Set value															
50H/20H	06H/03H	0049H	Output OFF time when A1 output is ON	Set value															
50H/20H	06H/03H	004AH	Output ON time when A2 output is ON	Set value															
50H/20H	06H/03H	004BH	Output OFF time when A2 output is ON	Set value															
50H/20H	06H/03H	0050H	A12 type	0000H: No action 0001H: Conductivity input low limit action 0002H: Conductivity input high limit action 0003H: Temperature input low limit action 0004H: Temperature input high limit action 0005H: Error output 0006H: Fail output 0007H: Conductivity input High/Low limits independent action 0008H: Temperature input High/Low limits independent action															
50H/20H	06H/03H	0051H	A21 type	0000H: No action 0001H: Conductivity input low limit action 0002H: Conductivity input high limit action 0003H: Temperature input low limit action 0004H: Temperature input high limit action 0005H: Error output 0006H: Fail output 0007H: Conductivity input High/Low limits independent action 0008H: Temperature input High/Low limits independent action															

Shinko Command Type	MODBUS Function Code	Data Item		Data
50H/20H	06H/03H	0052H	A22 type	0000H: No action 0001H: Conductivity input low limit action 0002H: Conductivity input high limit action 0003H: Temperature input low limit action 0004H: Temperature input high limit action 0005H: Error output 0006H: Fail output 0007H: Conductivity input High/Low limits independent action 0008H: Temperature input High/Low limits independent action
50H/20H	06H/03H	0053H	A12 value	Set value
50H/20H	06H/03H	0054H	A21 value	Set value
50H/20H	06H/03H	0055H	A22 value	Set value
50H/20H	06H/03H	0056H	A12 ON side	Set value
50H/20H	06H/03H	0057H	A21 ON side	Set value
50H/20H	06H/03H	0058H	A22 ON side	Set value
50H/20H	06H/03H	0059H	A12 ON delay time	Set value
50H/20H	06H/03H	005AH	A21 ON delay time	Set value
50H/20H	06H/03H	005BH	A22 ON delay time	Set value
50H/20H	06H/03H	005CH	A12 OFF delay time	Set value
50H/20H	06H/03H	005DH	A21 OFF delay time	Set value
50H/20H	06H/03H	005EH	A22 OFF delay time	Set value
50H/20H	06H/03H	0068H	Conductivity input sensor correction	Set value
50H/20H	06H/03H	0069H	Temperature Display when no temperature compensation	0000H: Unlit 0001H: Reference temperature 0002H: Measured value
50H/20H	06H/03H	006AH	A1 output allocation	0000H: A11 type 0001H: A12 type 0002H: A21 type 0003H: A22 type 0004H: A11, A12 types 0005H: A21, A22 types 0006H: A11, A21 types 0007H: A12, A22 types 0008H: A11, A12, A21, A22 types
50H/20H	06H/03H	006BH	A2 output allocation	0000H: A11 type 0001H: A12 type 0002H: A21 type 0003H: A22 type 0004H: A11, A12 types 0005H: A21, A22 types 0006H: A11, A21 types 0007H: A12, A22 types 0008H: A11, A12, A21, A22 types
50H/20H	06H/03H	006FH	Pt100 input wire type	0000H: 2-wire type 0001H: 3-wire type
50H	06H	007FH	Key operation change flag clearing	0001H: Clear change flag

Shinko Command Type	MODBUS Function Code	Data Item		Data
50H/20H	06H/03H	0100H	A11 hysteresis type	0000H: Medium Value 0001H: Reference Value
50H/20H	06H/03H	0101H	A12 hysteresis type	0000H: Medium Value 0001H: Reference Value
50H/20H	06H/03H	0102H	A21 hysteresis type	0000H: Medium Value 0001H: Reference Value
50H/20H	06H/03H	0103H	A22 hysteresis type	0000H: Medium Value 0001H: Reference Value
50H/20H	06H/03H	0104H	A11 OFF side	Set value
50H/20H	06H/03H	0105H	A12 OFF side	Set value
50H/20H	06H/03H	0106H	A21 OFF side	Set value
50H/20H	06H/03H	0107H	A22 OFF side	Set value
50H/20H	06H/03H	010FH	Transmission output 1 status when calibrating	0000H: Last value HOLD 0001H: Set value HOLD 0002H: Measured value
50H/20H	06H/03H	0110H	Transmission output 1 value HOLD when calibrating	Set value
50H/20H	06H/03H	0111H	A1 conductivity input error alarm A□□ type	0000H: No action 0001H: A11 type 0002H: A12 type 0003H: A21 type 0004H: A22 type
50H/20H	06H/03H	0112H	A2 conductivity input error alarm A□□ type	0000H: No action 0001H: A11 type 0002H: A12 type 0003H: A21 type 0004H: A22 type
50H/20H	06H/03H	0115H	A1 conductivity input error alarm band when A□□ output ON	Set value
50H/20H	06H/03H	0116H	A1 conductivity input error alarm time when A□□ output ON	Set value
50H/20H	06H/03H	0117H	A1 conductivity input error alarm band when A□□ output OFF	Set value
50H/20H	06H/03H	0118H	A1 conductivity input error alarm time when A□□ output OFF	Set value
50H/20H	06H/03H	0119H	A2 conductivity input error alarm band when A□□ output ON	Set value
50H/20H	06H/03H	011AH	A2 conductivity input error alarm time when A□□ output ON	Set value
50H/20H	06H/03H	011BH	A2 conductivity input error alarm band when A□□ output OFF	Set value
50H/20H	06H/03H	011CH	A2 conductivity input error alarm time when A□□ output OFF	Set value

Shinko Command Type	MODBUS Function Code	Data Item		Data
50H/20H	06H/03H	0125H	Conductivity input error alarm time unit	0000H: Second(s) 0001H: Minute(s)
50H	06H	0126H	Transmission output 1 adjustment mode	0000H: Conductivity/Temperature Display Mode 0001H: Transmission output 1 Zero adjustment mode 0002H: Transmission output 1 Span adjustment mode
50H/20H	06H/03H	0127H	Transmission output 1 Zero adjustment value	Set value
50H/20H	06H/03H	0128H	Transmission output 1 Span adjustment value	Set value
50H/20H	06H/03H	0131H	3-electrode Conductivity Sensor resistance	Set value
50H/20H	06H/03H	0139H	A11 High/Low limits independent lower side span	Set value
50H/20H	06H/03H	013AH	A12 High/Low limits independent lower side span	Set value
50H/20H	06H/03H	013BH	A21 High/Low limits independent lower side span	Set value
50H/20H	06H/03H	013CH	A22 High/Low limits independent lower side span	Set value
50H/20H	06H/03H	013DH	A11 High/Low limits independent upper side span	Set value
50H/20H	06H/03H	013EH	A12 High/Low limits independent upper side span	Set value
50H/20H	06H/03H	013FH	A21 High/Low limits independent upper side span	Set value
50H/20H	06H/03H	0140H	A22 High/Low limits independent upper side span	Set value
50H/20H	06H/03H	0141H	A11 hysteresis	Set value
50H/20H	06H/03H	0142H	A12 hysteresis	Set value
50H/20H	06H/03H	0143H	A21 hysteresis	Set value
50H/20H	06H/03H	0144H	A22 hysteresis	Set value
50H/20H	06H/03H	0147H	Transmission output 2 type	0000H: Conductivity transmission 0001H: Temperature transmission
50H/20H	06H/03H	0148H	Transmission output 2 high limit	Set value
50H/20H	06H/03H	0149H	Transmission output 2 low limit	Set value
50H	06H	014AH	Transmission output 2 adjustment mode (*)	0000H: Conductivity/Temperature display mode 0001H: Transmission output 2 Zero adjustment mode 0002H: Transmission output 2 Span adjustment mode
50H / 20H	06H/03H	014BH	Transmission output 2 Zero adjustment value	Set value
50H / 20H	06H/03H	014CH	Transmission output 2 Span adjustment value	Set value
50H / 20H	06H/03H	014DH	Transmission output 2 status when calibrating	0000H: Last value HOLD 0001H: Set value HOLD 0002H: Measured value

(*) If 'Setting' is executed while Transmission output 2 (TA2 option) is not ordered, the following error code will be returned.

- Shinko protocol: Error code 4 (34H)
- Modbus: Exception code 17 (11H)

Shinko Command Type	MODBUS Function Code	Data Item	Data																																	
20H	03H	0091H	<p>Status flag 2 0000 0000 0000 0000 2^{15} to 2^0 2^0 digit: Not used (Always 0) 2^1 digit: A2 output 0: OFF 1: ON $2^2, 2^3$ digits: Not used (Always 0) $2^4, 2^5$ digits: Transmission output 1 adjustment status flag</p> <table border="1"> <thead> <tr> <th>2^5</th> <th>2^4</th> <th>Status</th> </tr> </thead> <tbody> <tr> <td>0</td> <td>0</td> <td>Conductivity/Temperature Display Mode</td> </tr> <tr> <td>0</td> <td>1</td> <td>During Transmission output 1 Zero adjustment in Transmission output 1 adjustment mode</td> </tr> <tr> <td>1</td> <td>0</td> <td>During Transmission output 1 Span adjustment in Transmission output 1 adjustment mode</td> </tr> </tbody> </table> <p>2^6 digit: A1 conductivity input error alarm output flag 0: OFF 1: ON 2^7 digit: A2 conductivity input error alarm output flag 0: OFF 1: ON $2^8, 2^9$ digits: Transmission output 2 adjustment status flag</p> <table border="1"> <thead> <tr> <th>2^9</th> <th>2^8</th> <th>Status</th> </tr> </thead> <tbody> <tr> <td>0</td> <td>0</td> <td>Conductivity/Temperature Display Mode</td> </tr> <tr> <td>0</td> <td>1</td> <td>During Transmission output 2 Zero adjustment in Transmission output 2 adjustment mode</td> </tr> <tr> <td>1</td> <td>0</td> <td>During Transmission output 2 Span adjustment in Transmission output 2 adjustment mode</td> </tr> </tbody> </table> <p>$2^{10}, 2^{11}$ digits: Not used (Always 0) $2^{12}, 2^{13}$ digits: Temperature calibration status flag</p> <table border="1"> <thead> <tr> <th>2^{13}</th> <th>2^{12}</th> <th>Status</th> </tr> </thead> <tbody> <tr> <td>0</td> <td>0</td> <td>Conductivity/Temperature Display Mode</td> </tr> <tr> <td>0</td> <td>1</td> <td>During temperature calibration</td> </tr> </tbody> </table> <p>$2^{14}, 2^{15}$ digits: Not used (Always 0)</p>	2^5	2^4	Status	0	0	Conductivity/Temperature Display Mode	0	1	During Transmission output 1 Zero adjustment in Transmission output 1 adjustment mode	1	0	During Transmission output 1 Span adjustment in Transmission output 1 adjustment mode	2^9	2^8	Status	0	0	Conductivity/Temperature Display Mode	0	1	During Transmission output 2 Zero adjustment in Transmission output 2 adjustment mode	1	0	During Transmission output 2 Span adjustment in Transmission output 2 adjustment mode	2^{13}	2^{12}	Status	0	0	Conductivity/Temperature Display Mode	0	1	During temperature calibration
2^5	2^4	Status																																		
0	0	Conductivity/Temperature Display Mode																																		
0	1	During Transmission output 1 Zero adjustment in Transmission output 1 adjustment mode																																		
1	0	During Transmission output 1 Span adjustment in Transmission output 1 adjustment mode																																		
2^9	2^8	Status																																		
0	0	Conductivity/Temperature Display Mode																																		
0	1	During Transmission output 2 Zero adjustment in Transmission output 2 adjustment mode																																		
1	0	During Transmission output 2 Span adjustment in Transmission output 2 adjustment mode																																		
2^{13}	2^{12}	Status																																		
0	0	Conductivity/Temperature Display Mode																																		
0	1	During temperature calibration																																		

(*): If 0002H [Seawater salinity (%)] is selected for data item 0003H (Measurement unit), the response data at the time of input short-circuit will be the fixed value 3000 (30.00 %).
Also, if 0003H [NaCl salinity (%)] is selected, the response data at the time of input short-circuit will be the fixed value 2500 (25.00 %).

11.7 Conductivity & Temperature Calibrations, Transmission Output 1 & 2 Adjustments via Communication Command

11.7.1 Conductivity Calibration

Cell constant may vary due to deterioration of the 4-electrode Conductivity Sensor.
To correct the varied cell constant, calibration must be performed.
Calibrate Conductivity Zero adjustment first, followed by Conductivity Span adjustment.

The following outlines the procedure for conductivity calibration.

(1) Conductivity Zero adjustment

- ① When selecting Last value HOLD (0000H) at Data item 010FH (Transmission output 1 status when calibrating) or 014DH (Transmission output 2 status when calibrating), select it while the 4-electrode Conductivity Sensor is being immersed in the solution currently measured.
- ② At this stage, do not immerse the 4-electrode Conductivity Sensor in the standard solution.
- ③ Set Data item 0042H (Conductivity calibration mode) to 0001H.
The unit moves to Conductivity calibration Zero adjustment mode.
If 2¹³, 2¹² digits are read at Data item 0081H (Status flag 1), 01 (During Conductivity calibration Zero adjustment mode) will be returned.
- ④ Set the Conductivity Zero adjustment value at Data item 0043H (Conductivity Zero adjustment value) so that conductivity becomes 0 (zero).
When conductivity is 0 (zero), it is not necessary to adjust.
- ⑤ Set Data item 0042H (Conductivity calibration mode) to 0000H.
Conductivity Zero adjustment is complete, and the unit will revert to Conductivity/Temperature Display Mode.

(2) Conductivity Span adjustment

- ① Immerse the 4-electrode Conductivity Sensor in the standard solution.
- ② Set Data item 0042H (Conductivity calibration mode) to 0002H.
The unit moves to Conductivity calibration Span adjustment mode.
If 2¹³, 2¹² digits are read at Data item 0081H (Status flag 1), 10 (During Conductivity calibration Span adjustment mode) will be returned.
- ③ Set the Conductivity Span adjustment value at Data item 0044H (Conductivity Span adjustment value), while checking the conductivity.
- ④ Set Data item 0042H (Conductivity calibration mode) to 0000H.
Conductivity Span adjustment is complete, and the unit will revert to Conductivity/Temperature Display Mode.

If Conductivity calibration cannot be performed while calibrating conductivity due to temperature compensation error, Conductivity measurement value error, etc., Error code 1 (Burnout, Short-circuited, etc.) will be returned after 2⁰ to 2⁵ digits are read at Data item 0081H (Status flag 1).
To cancel the error code, set Data item 0042H (Conductivity calibration mode) to 0000H.
The unit will revert to Conductivity/Temperature Display Mode.

If Conductivity Zero/Span adjustment value is set at Data item 0043H (Conductivity Zero adjustment value) or 0044H (Conductivity Span adjustment value) in Conductivity/Temperature Display Mode, the following error code will be returned.

- Shinko protocol: Error code 34H
- MODBUS protocol: Exception code 11H

11.7.2 Temperature Calibration

Temperature calibration is performed by setting temperature calibration value.

The following outlines the procedure for Temperature calibration.

- ① Set Data item 0040H (Temperature calibration mode) to 0001H. The unit moves to Temperature calibration mode.
If 2¹³, 2¹² digits are read at Data item 0091H (Status Flag 2), 01 (During temperature calibration) will be returned.
- ② Set the Temperature calibration value at Data item 0041H (Temperature calibration value), while checking the temperature.
- ③ Set Data item 0040H (Temperature calibration mode) to 0000H.
Temperature calibration is complete, and the unit will revert to Conductivity/Temperature Display Mode.

If Temperature calibration cannot be performed while calibrating temperature due to input error, calibration value error, etc., Error code 1 (Burnout, Short-circuited, etc.) will be returned after 2⁰ to 2⁵ digits are read at Data item 0081H.

To cancel the error code, set Data item 0040H (Temperature calibration mode) to 0000H.
The unit will revert to Conductivity/Temperature Display Mode.

If Temperature calibration value is set at Data item 0041H (Temperature calibration value) in Conductivity/Temperature Display Mode, the following error code will be returned.

Shinko protocol: Error code 34H

MODBUS protocol: Exception code 11H

11.7.3 Transmission Output 1 Adjustment

Fine adjustment of Transmission output 1 is performed.

This instrument is adjusted at the factory, however, differences may occur between the indication value of the connected equipment (recorders, etc.) and output value of this instrument.

In this case, perform Transmission output 1 Zero and Span adjustments.

The following outlines the procedure for Transmission output 1 adjustment.

- ① Set Data item 0126H (Transmission output 1 adjustment mode) to 0001H.
The unit moves to Transmission output 1 Zero adjustment mode.
If 2⁵, 2⁴ digits are read at Data item 0091H (Status flag 2), 01 (During Transmission output 1 Zero adjustment in Transmission output 1 adjustment mode) will be returned.
- ② Set the Transmission output 1 Zero adjustment value at Data item 0127H (Transmission output 1 Zero adjustment value), while viewing the value indicated on the connected equipment (recorders, etc.).
Setting range: $\pm 5.00\%$ of Transmission output 1 span
- ③ Set Data item 0126H (Transmission output 1 adjustment mode) to 0002H.
The unit moves to Transmission output 1 Span adjustment mode.
If 2⁵, 2⁴ digits are read at Data item 0091H (Status flag 2), 10 (During Transmission output 1 Span adjustment in Transmission output 1 adjustment mode) will be returned.
- ④ Set Transmission output 1 Span adjustment value at Data item 0128H (Transmission output 1 Span adjustment value), while viewing the value indicated on the connected equipment (recorders, etc.).
Setting range: $\pm 5.00\%$ of Transmission output 1 span
- ⑤ Repeat steps ① to ④ if necessary.
- ⑥ To finish Transmission output 1 adjustment, set Data item 0126H (Transmission output 1 adjustment mode) to 0000H.
The unit reverts to Conductivity/Temperature Display Mode.

11.7.4 Transmission Output 2 Adjustment

Fine adjustment of Transmission output 2 is performed.

This instrument is adjusted at the factory, however, differences may occur between the indication value of the connected equipment (recorders, etc.) and output value of this instrument.

In this case, perform Transmission output 2 Zero and Span adjustments.

The following outlines the procedure for Transmission output 2 adjustment.

- ① Set Data item 014AH (Transmission output 2 adjustment mode) to 0001H.
The unit moves to Transmission output 2 Zero adjustment mode.
If 2⁹, 2⁸ digits are read at Data item 0091H (Status flag 2), 01 (During Transmission output 2 Zero adjustment in Transmission output 2 adjustment mode) will be returned.
- ② Set the Transmission output 2 Zero adjustment value at Data item 014BH (Transmission output 2 Zero adjustment value), while viewing the value indicated on the connected equipment (recorders, etc.).
Setting range: $\pm 5.00\%$ of Transmission output 2 span
- ③ Set Data item 014AH (Transmission output 2 adjustment mode) to 0002H.
The unit moves to Transmission output 2 Span adjustment mode.
If 2⁹, 2⁸ digits are read at Data item 0091H (Status flag 2), 10 (During Transmission output 2 Span adjustment in Transmission output 2 adjustment mode) will be returned.
- ④ Set Transmission output 2 Span adjustment value at Data item 014CH (Transmission output 2 Span adjustment value), while viewing the value indicated on the connected equipment (recorders, etc.).
Setting range: $\pm 5.00\%$ of Transmission output 2 span
- ⑤ Repeat steps ① to ④ if necessary.
- ⑥ To finish Transmission output 2 adjustment, set Data item 014AH (Transmission output 2 adjustment mode) to 0000H.
The unit reverts to Conductivity/Temperature Display Mode.

11.8 Notes on Programming Monitoring Software

11.8.1 How to Speed up the Scan Time

When monitoring multiple units of the WIL-102-ECH, set the program so that the requisite minimum pieces of data such as Data item 0080H (Conductivity), Data item 0090H (Temperature), Data item 0081H (Status flag 1), Data item 0091H (Status flag 2) can be read.

For other data, set the program so that they can be read only when their set value has been changed. This will speed up the scan time.

11.8.2 How to Read the Set Value Changes Made by Front Keypad Operation

If any set value is changed by keypad operation, the instrument sets [0081H (Status flag 1) 2¹⁵: Change in key operation] to 1 (Yes).

There are 2 methods of reading the set value changes made by the front keypad.

(1) Reading Method 1

- ① On the monitoring software side, check that [0081H (Status flag 1) 2¹⁵: Change in key operation] has been set to 1 (Yes), then read all set values.
- ② Clear [0081H (Status flag 1) 2¹⁵: Change in key operation], by setting Data item 007FH (Key operation change flag clearing) to 0001H (Clear change flag).
If 007FH (Key operation change flag clearing) is set to 0001H (Clear change flag) during the setting mode of the instrument, Error code 5 (35H, Shinko protocol) or Exception Code 18 (12H, MODBUS protocol) will be returned as a negative acknowledgement. And [0081H (Status flag 1) 2¹⁵: Change in key operation] cannot be cleared.
Set a program so that all set values can be read when a negative acknowledgement is returned.
- ③ Read all set values again after acknowledgement is returned.

(2) Reading Method 2

- ① On the monitoring software side, check that [0081H (Status flag 1) 2¹⁵: Change in key operation] has been set to 1 (Yes), then set 007FH (Key operation change flag clearing) to 0001H (Clear change flag).
- ② Set the program depending on the acknowledgement or negative acknowledgement as follows.

When acknowledgement is returned:

Consider it as settings completed, and read all set values.

When Error code 5 (35H, Shinko protocol) or Exception code 18 (12H, MODBUS protocol) is returned as a negative acknowledgement:

Consider it as still in setting mode, and read the requisite minimum pieces of data such as 0080H (Conductivity), 0090H (Temperature), 0081H (Status flag 1), 0091H (Status flag 2), then return to step ①.

Thus, programs which do not affect the scan time can be created using the methods described above, even if set values on the monitoring software will not be updated until settings are complete.

11.8.3 Note when Sending All Set Values Simultaneously

- If A□□ type is changed at Data item 0005H (A11 type), 0050H (A12 type), 0051H (A21 type) or 0052H (A22 type), the A11, A12, A21 or A22 value will default to 0.00 or 0.0.
Output status of A11, A12, A21 or A22 will also be initialized.

First, send the A11, A12, A21, A22 type, then send the A11, A12, A21, A22 value set at Data item 0006H (A11 value), 0053H (A12 value), 0054H (A21 value) and 0055H (A22 value).

12. Specifications

12.1 Standard Specifications

Rating

Rated Scale	Input		Input Range	Resolution
	Conductivity	Conductivity	Cell constant 1.0/cm	0.00 to 20.00 mS/cm
0.0 to 200.0 mS/cm				0.1 mS/cm
0.0 to 500.0 mS/cm				0.1 mS/cm
0 to 500 mS/cm				1 mS/cm
0.000 to 2.000 mS/cm				0.001 mS/cm
0.000 to 5.000 mS/cm				0.001 mS/cm
0.00 to 50.00 mS/cm				0.01 mS/cm
0 to 2000 μ S/cm				1 μ S/cm
0 to 5000 μ S/cm				1 μ S/cm
0.000 to 2.000 S/m				0.001 S/m
0.00 to 20.00 S/m				0.01 S/m
0.00 to 50.00 S/m				0.01 S/m
0.0 to 50.0 S/m				0.1 S/m
0 to 2000 mS/m				1 mS/m
0.000 to 5.000 S/m				0.001 S/m
0.0 to 200.0 mS/m				0.1 mS/m
0.0 to 500.0 mS/m				0.1 mS/m
0.0 to 20.0 g/L				0.1 g/L
0 to 200 g/L				1 g/L
0 to 500 g/L				1 g/L
0 to 2000 mg/L		1 mg/L		
0 to 5000 mg/L		1 mg/L		
Cell constant 10.0/cm			0.0 to 200.0 mS/cm	0.1 mS/cm
			0.0 to 500.0 mS/cm	0.1 mS/cm
			0 to 2000 mS/cm	1 mS/cm
			0.00 to 20.00 S/m	0.01 S/m
			0.00 to 50.00 S/m	0.01 S/m
			0.0 to 200.0 S/m	0.1 S/m
			0 to 200 g/L	1 g/L
			0 to 500 g/L	1 g/L
0 to 2000 g/L		1 g/L		
Seawater salinity			0.00 to 4.00%	0.01%
	NaCl salinity		0.00 to 20.00%	0.01%
Temperature	Pt100	0.0 to 100.0°C	0.1°C	
	Pt1000	0.0 to 100.0°C	0.1°C	
(*) For the temperature indication, decimal point place is selectable.				
Input	4-electrode Conductivity Sensor (Temperature element: Pt100) 4-electrode Conductivity Sensor (Temperature element: Pt1000)			
Power supply voltage	Model	WIL-102-ECH		WIL-102-ECH 1
	Power supply voltage	100 to 240 V AC 50/60 Hz		24 V AC/DC 50/60 Hz
	Allowable voltage fluctuation range	85 to 264 V AC		20 to 28 V AC/DC

General Structure

External Dimensions	30 x 88 x 108 mm (W x H x D, including socket)	
Mounting	DIN rail	
Case	Material: Flame-resistant resin, Color: Light gray	
Panel	Membrane sheet	
Indication Structure	Display	
	Conductivity Display	Red LED 4-digits, character size: 10 x 4.6 m (H x W)
	Temperature Display	Red LED 4-digits, character size: 10 x 4.6 m (H x W)
	Action Indicators	
	PWR (Yellow)	Lit when power supply is ON.
	A1 (Red)	Lit when A1 output is ON. (Unlit when TA2 option is added.)
	A2 (Yellow)	Lit when A2 output is ON. (Unlit when TA option or TA2 option is added.)
	T/R (Yellow)	Lit while in Serial communication TX output (transmitting).
Setting Structure	Setting method: Input system using membrane sheet key	

Indication Performance

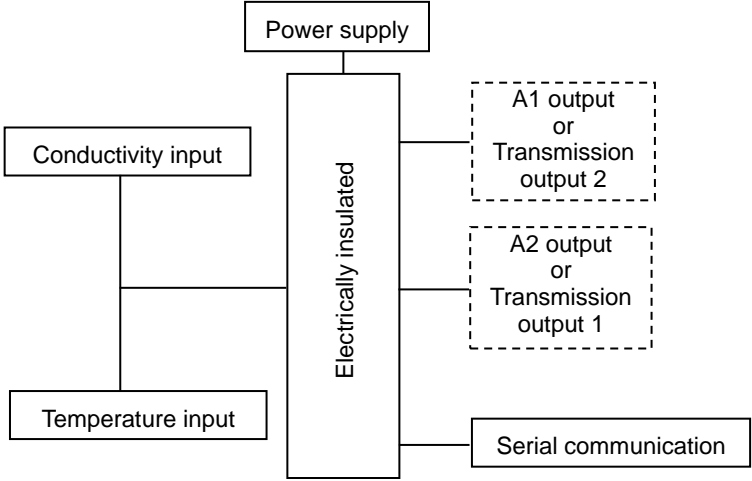
Repeatability	Conductivity: $\pm 0.5\%$ of input span Salinity conversion: $\pm 1\%$ of input span TDS conversion: $\pm 1.5\%$ of input span
Linearity	Conductivity: $\pm 0.5\%$ of input span Salinity conversion: $\pm 1\%$ of input span TDS conversion: $\pm 1.5\%$ of input span
Indication Accuracy	Temperature: $\pm 1^\circ\text{C}$
Input Sampling Period	250 ms (2 inputs)
Time Accuracy	Within $\pm 1\%$ of setting time

Standard Functions

Conductivity Calibration	<p>Calibrate Conductivity Zero adjustment first, followed by Conductivity Span adjustment. However, if $Loc 1$ (Lock 1), $Loc 2$ (Lock 2) or $Loc 3$ (Lock 3) is selected in [Set value lock] (p.31), the unit cannot move to Conductivity calibration mode.</p> <p>In Conductivity Zero adjustment, adjustment is performed so that conductivity becomes 0, without immersing the 4-electrode Conductivity Sensor in the standard solution.</p> <p>In Conductivity Span adjustment, the 4-electrode Conductivity Sensor is immersed and adjustment is performed while checking conductivity. However, it is effective within the input rated range regardless of the adjustment value.</p>
Temperature Calibration	<p>When a sensor cannot be set at the exact location where measurement is desired, the resulting measured temperature may deviate from the temperature in the desired location. In this case, the desired temperature can be set for the desired location by setting a temperature calibration value. However, it is effective within the input rated range regardless of the temperature calibration value.</p>

TDS Conversion	<p>TDS stands for Total Dissolved Solids. Conductivity of a solution results from the amount of salt, minerals or dissolved gas. Conductivity is an index indicating the total amount of a substance in a solution, and TDS indicates only the amount of all dissolved solid substances.</p> <p>TDS can be used correctly to compare the two solutions in which one ingredient, such as NaCl, is included. However, for comparison between a solution in which one ingredient such as NaCl is included and the other solution in which more than one ingredient is included, TDS error will occur.</p> <p>TDS and conductivity are expressed with the following formula. For Conductivity SI unit (S/m, mS/m): $TDS (g/L) = L (S/m) \times K \times 10$ $TDS (mg/L) = L (mS/m) \times K \times 10$ For Conductivity older unit (mS/cm, μS/cm): $TDS (g/L) = L (mS/cm) \times K$ $TDS (mg/L) = L (\mu S/cm) \times K$ K: TDS conversion factor, L: Conductivity</p>			
Serial Communication	<p>The following operations can be carried out from an external computer.</p> <ol style="list-style-type: none"> (1) Reading and setting of various set values (2) Reading of conductivity, temperature and status (3) Function change, adjustment (4) Reading and setting of user save area 			
Cable Length	1.2 km (Max), Cable resistance value: Within 50 Ω (Terminators are not necessary, but if used, use 120 Ω minimum on both sides.)			
Communication Line	EIA RS-485			
Communication Method	Half-duplex communication			
Communication Speed	9600, 19200, 38400 bps (Selectable by keypad)			
Synchronization Method	Start-stop synchronization			
Code Form	ASCII, Binary			
Communication Protocol	Shinko protocol, MODBUS ASCII, MODBUS RTU (Selectable by keypad)			
Data Bit/Parity	8 bits/No parity, 7 bits/No parity, 8 bits/Even, 7 bits/Even, 8 bits/Odd, 7 bits/Odd (Selectable by keypad)			
Stop Bit	1, 2 (Selectable by keypad)			
Error Correction	Command request repeat system			
Error Detection	Parity check, Checksum (Shinko protocol), LRC (MODBUS protocol ASCII), CRC-16 (MODBUS protocol RTU)			
Data Format	Communication Protocol	Shinko Protocol	MODBUS ASCII	MODBUS RTU
	Start bit	1	1	1
	Data bit	7	7 (8) Selectable	8
	Parity	Even	Even (No parity, Odd) Selectable	No parity (Even, Odd) Selectable
	Stop bit	1	1 (2) Selectable	1 (2) Selectable

Insulation/Dielectric Strength

Circuit Insulation Configuration	 <p data-bbox="571 678 1137 712">: When the corresponding option is ordered.</p> <p data-bbox="523 719 1201 752">Insulation Resistance: 10 MΩ minimum, at 500 V DC</p>
Dielectric Strength	<p data-bbox="523 775 1334 808">Between power terminal - ground (GND): 1.5 kV AC for 1 minute</p> <p data-bbox="523 808 1334 842">Between input terminal - ground (GND): 1.5 kV AC for 1 minute</p> <p data-bbox="523 842 1334 875">Between input terminal - power terminal: 1.5 kV AC for 1 minute</p>

Attached Functions

Set Value Lock	<p data-bbox="518 960 1114 994">Lock 1: None of the set values can be changed.</p> <p data-bbox="518 994 1273 1028">Lock 2: Only A11, A12, A21 and A22 values can be changed.</p> <p data-bbox="518 1028 1469 1218">Lock 3: All set values – except Sensor cell constant, Measurement unit, Measurement range, Conductivity Zero and Span adjustment values, Temperature calibration value, Transmission output 1 Zero and Span adjustment values, Transmission output 2 Zero and Span adjustment values – can be temporarily changed.</p> <p data-bbox="603 1218 1465 1290">However, they revert to their previous value after the power is turned off because they are not saved in the non-volatile IC memory.</p>										
Conductivity Input Sensor Correction	<p data-bbox="518 1296 1484 1480">When a sensor cannot be set at the exact location where measurement is desired, the sensor-measured conductivity may deviate from the conductivity in the measured location. In such a case, desired conductivity can be obtained by adding a sensor correction value. However, it is effective within the measurement range regardless of the sensor correction value.</p>										
Outside Measurement Range	<p data-bbox="518 1487 1422 1559">When the conductivity measured value, salinity conversion value or TDS conversion factor is outside the measurement range:</p> <table border="1" data-bbox="507 1559 1493 1704"> <thead> <tr> <th data-bbox="518 1565 983 1599">Conductivity Display</th> <th data-bbox="983 1565 1489 1599">Temperature Display</th> </tr> </thead> <tbody> <tr> <td data-bbox="518 1599 983 1704">Conductivity, salinity conversion high limit or TDS conversion high limit is flashing.</td> <td data-bbox="983 1599 1489 1704">Measured temperature</td> </tr> </tbody> </table> <p data-bbox="518 1749 1374 1821">When measured temperature is outside the measurement range, the following will be indicated.</p> <table border="1" data-bbox="507 1821 1493 1935"> <thead> <tr> <th data-bbox="518 1827 983 1861">Conductivity Display</th> <th data-bbox="983 1827 1489 1861">Temperature Display</th> </tr> </thead> <tbody> <tr> <td data-bbox="518 1861 983 1895">Measured conductivity</td> <td data-bbox="983 1861 1489 1895">Less than 0.0°C: <i>Er04</i></td> </tr> <tr> <td data-bbox="518 1895 983 1928">Measured conductivity</td> <td data-bbox="983 1895 1489 1928">Exceeding 110.0°C: <i>Er03</i></td> </tr> </tbody> </table>	Conductivity Display	Temperature Display	Conductivity, salinity conversion high limit or TDS conversion high limit is flashing.	Measured temperature	Conductivity Display	Temperature Display	Measured conductivity	Less than 0.0°C: <i>Er04</i>	Measured conductivity	Exceeding 110.0°C: <i>Er03</i>
Conductivity Display	Temperature Display										
Conductivity, salinity conversion high limit or TDS conversion high limit is flashing.	Measured temperature										
Conductivity Display	Temperature Display										
Measured conductivity	Less than 0.0°C: <i>Er04</i>										
Measured conductivity	Exceeding 110.0°C: <i>Er03</i>										
Power Failure Countermeasure	<p data-bbox="518 1942 1267 1975">The setting data is backed up in the non-volatile IC memory.</p>										
Self-diagnosis	<p data-bbox="518 2013 1406 2085">The CPU is monitored by a watchdog timer, and if an abnormal status occurs, the instrument is switched to warm-up status.</p>										

Warm-up Indication	For approx. 4 seconds after the power is switched ON, the input characters are indicated on the Conductivity Display and Temperature Display.			
	Display	Character	Measurement Unit	
	Conductivity Display	CONH	Conductivity (mS/cm)	
		4.00	Conductivity (S/m, mS/m)	
		4.50	Seawater salinity (%)	
		4.50	NaCl salinity (%)	
		7.20	TDS conversion (g/L)	
	Display	Character	Input Temperature Specification (*)	Selection Item in [Pt100 Input Wire Type] (p.30)
	Temperature Display	Pt02	Pt100	Pt02: 2-wire type
		Pt03		Pt03: 3-wire type
Pt10		Pt1000		
(*) This input temperature specification was specified at the time of ordering.				
Display Sleep Function	Conductivity, Temperature or No indication can be selected in [Display selection (p.34)], which is indicated in Conductivity/Temperature Display Mode. If Conductivity and/or Temperature is selected, and if indication time is set, the displays become unlit after the indication time has passed from no operation status. If any errors occur, or if any key is pressed, the display will re-light. If the indication time is set to 0, the display remains lit, and this function does not work.			
Auto-light Function	Automatically measures and controls brightness of the Conductivity Display, Temperature Display and action indicators.			
Cable Length Correction	If Pt02 (2-wire type) is selected in [Pt100 input wire type (p. 30)], and if sensor cable is too long, temperature measurement error will occur due to cable resistance. This can be corrected by setting the cable length correction value and cable cross-section area.			
Error Code	The following error codes flash on the Temperature Display.			
	Error Code	Error Type	Error Contents	Description
	Er01	Fail	Temp. Sensor burnout	Temperature sensor lead wire is burnt out.
	Er02	Fail	Temp. Sensor short-circuited	Temperature sensor lead wire is short-circuited.
	Er03	Error	Outside temp. compensation	Measured temperature has exceeded 110.0°C.
	Er04	Error	Outside temp. compensation	Measured temperature is less than 0.0°C.
(Abbreviation: Temp.: Temperature)				

Other

Power Consumption	Approx. 8 VA
Ambient Temperature	0 to 50°C (32 to 122°F)
Ambient Humidity	35 to 85 %RH (non-condensing)
Altitude	2,000 m or less
Installation environment	Overvoltage category II, Pollution degree 2
Memory protection	Non-volatile IC memory (Number of writes: 1 million times)
Environmental Specification	RoHS directive compliant
Weight	Approx. 200 g (including the socket)
Accessories Included	Instruction manual: 1 copy Unit label: 1 sheet
Accessories Sold Separately	Socket: ASK-001-1 (Finger-safe and screw fall prevention)

12.2 Optional Specifications

A□□ Output (Option Code: EVT or TA)

A□□ Output	<p>If the measured value exceeds the A□□ value, the A□□ output will be turned ON for each A□□ output type.</p> <p>A1 or A2 output turns ON depending on the settings in [A1/A2 output allocation (p.35)] and [Output ON time/OFF time when A1/A2 output ON (pp.35, 36)].</p> <p>Regardless of options being ordered, A□□ output status can be read via Status flag 1 (A11, A12, A21, A22 output flag bit) in Serial communication.</p> <p>A□□ output status, when input errors occur, differs depending on the selection in [A□□ output when input errors occur (p.29)] as follows.</p> <ul style="list-style-type: none"> • If \overline{OFF} (Disabled) is selected in [A□□ output when input errors occur (p.29)], the A□□ output and A□□ output status will be turned OFF if input errors occur. • If \overline{ON} (Enabled) is selected in [A□□ output when input errors occur (p.29)], the A□□ output and A□□ output status will be maintained if input errors occur. <p>During conductivity calibration, A□□ action is forced OFF.</p> <p>If Transmission output 1 (TA option) is ordered, only A1 output can be added.</p>																																																			
Action	ON/OFF action																																																			
A□□ ON side, A□□ OFF side	<p>Setting range differs depending on the selection of A□□ type and measurement range.</p> <p>• Conductivity input Cell constant 1.0/cm:</p> <table border="1" data-bbox="512 1003 1481 1964"> <thead> <tr> <th>Measurement Range</th> <th>Setting Range</th> </tr> </thead> <tbody> <tr><td>0.00 to 20.00 mS/cm</td><td>0.00 to 2.00 mS/cm</td></tr> <tr><td>0.0 to 200.0 mS/cm</td><td>0.0 to 20.0 mS/cm</td></tr> <tr><td>0.0 to 500.0 mS/cm</td><td>0.0 to 50.0 mS/cm</td></tr> <tr><td>0 to 500 mS/cm</td><td>0 to 50 mS/cm</td></tr> <tr><td>0.000 to 2.000 mS/cm</td><td>0.000 to 0.200 mS/cm</td></tr> <tr><td>0.000 to 5.000 mS/cm</td><td>0.000 to 0.500 mS/cm</td></tr> <tr><td>0.00 to 50.00 mS/cm</td><td>0.00 to 5.00 mS/cm</td></tr> <tr><td>0 to 2000 μS/cm</td><td>0 to 200 μS/cm</td></tr> <tr><td>0 to 5000 μS/cm</td><td>0 to 500 μS/cm</td></tr> <tr><td>0.000 to 2.000 S/m</td><td>0.000 to 0.200 S/m</td></tr> <tr><td>0.00 to 20.00 S/m</td><td>0.00 to 2.00 S/m</td></tr> <tr><td>0.00 to 50.00 S/m</td><td>0.00 to 5.00 S/m</td></tr> <tr><td>0.0 to 50.0 S/m</td><td>0.0 to 5.0 S/m</td></tr> <tr><td>0 to 2000 mS/m</td><td>0 to 200 mS/m</td></tr> <tr><td>0.000 to 5.000 S/m</td><td>0.000 to 0.500 S/m</td></tr> <tr><td>0.0 to 200.0 mS/m</td><td>0.0 to 20.0 mS/m</td></tr> <tr><td>0.0 to 500.0 mS/m</td><td>0.0 to 50.0 mS/m</td></tr> <tr><td>0.0 to 20.0 g/L</td><td>0.0 to 2.0 g/L</td></tr> <tr><td>0 to 200 g/L</td><td>0 to 20 g/L</td></tr> <tr><td>0 to 500 g/L</td><td>0 to 50 g/L</td></tr> <tr><td>0 to 2000 mg/L</td><td>0 to 200 mg/L</td></tr> <tr><td>0 to 5000 mg/L</td><td>0 to 500 mg/L</td></tr> <tr><td>Seawater salinity 0.00 to 4.00%</td><td>0.00 to 0.40%</td></tr> <tr><td>NaCl salinity 0.00 to 20.00%</td><td>0.00 to 2.00%</td></tr> </tbody> </table>		Measurement Range	Setting Range	0.00 to 20.00 mS/cm	0.00 to 2.00 mS/cm	0.0 to 200.0 mS/cm	0.0 to 20.0 mS/cm	0.0 to 500.0 mS/cm	0.0 to 50.0 mS/cm	0 to 500 mS/cm	0 to 50 mS/cm	0.000 to 2.000 mS/cm	0.000 to 0.200 mS/cm	0.000 to 5.000 mS/cm	0.000 to 0.500 mS/cm	0.00 to 50.00 mS/cm	0.00 to 5.00 mS/cm	0 to 2000 μ S/cm	0 to 200 μ S/cm	0 to 5000 μ S/cm	0 to 500 μ S/cm	0.000 to 2.000 S/m	0.000 to 0.200 S/m	0.00 to 20.00 S/m	0.00 to 2.00 S/m	0.00 to 50.00 S/m	0.00 to 5.00 S/m	0.0 to 50.0 S/m	0.0 to 5.0 S/m	0 to 2000 mS/m	0 to 200 mS/m	0.000 to 5.000 S/m	0.000 to 0.500 S/m	0.0 to 200.0 mS/m	0.0 to 20.0 mS/m	0.0 to 500.0 mS/m	0.0 to 50.0 mS/m	0.0 to 20.0 g/L	0.0 to 2.0 g/L	0 to 200 g/L	0 to 20 g/L	0 to 500 g/L	0 to 50 g/L	0 to 2000 mg/L	0 to 200 mg/L	0 to 5000 mg/L	0 to 500 mg/L	Seawater salinity 0.00 to 4.00%	0.00 to 0.40%	NaCl salinity 0.00 to 20.00%	0.00 to 2.00%
Measurement Range	Setting Range																																																			
0.00 to 20.00 mS/cm	0.00 to 2.00 mS/cm																																																			
0.0 to 200.0 mS/cm	0.0 to 20.0 mS/cm																																																			
0.0 to 500.0 mS/cm	0.0 to 50.0 mS/cm																																																			
0 to 500 mS/cm	0 to 50 mS/cm																																																			
0.000 to 2.000 mS/cm	0.000 to 0.200 mS/cm																																																			
0.000 to 5.000 mS/cm	0.000 to 0.500 mS/cm																																																			
0.00 to 50.00 mS/cm	0.00 to 5.00 mS/cm																																																			
0 to 2000 μ S/cm	0 to 200 μ S/cm																																																			
0 to 5000 μ S/cm	0 to 500 μ S/cm																																																			
0.000 to 2.000 S/m	0.000 to 0.200 S/m																																																			
0.00 to 20.00 S/m	0.00 to 2.00 S/m																																																			
0.00 to 50.00 S/m	0.00 to 5.00 S/m																																																			
0.0 to 50.0 S/m	0.0 to 5.0 S/m																																																			
0 to 2000 mS/m	0 to 200 mS/m																																																			
0.000 to 5.000 S/m	0.000 to 0.500 S/m																																																			
0.0 to 200.0 mS/m	0.0 to 20.0 mS/m																																																			
0.0 to 500.0 mS/m	0.0 to 50.0 mS/m																																																			
0.0 to 20.0 g/L	0.0 to 2.0 g/L																																																			
0 to 200 g/L	0 to 20 g/L																																																			
0 to 500 g/L	0 to 50 g/L																																																			
0 to 2000 mg/L	0 to 200 mg/L																																																			
0 to 5000 mg/L	0 to 500 mg/L																																																			
Seawater salinity 0.00 to 4.00%	0.00 to 0.40%																																																			
NaCl salinity 0.00 to 20.00%	0.00 to 2.00%																																																			

		Cell constant 10.0/cm:	
		Measurement Range	Setting Range
		0.0 to 200.0 mS/cm	0.0 to 20.0 mS/cm
		0.0 to 500.0 mS/cm	0.0 to 50.0 mS/cm
		0 to 2000 mS/cm	0 to 200 mS/cm
		0.00 to 20.00 S/m	0.00 to 2.00 S/m
		0.00 to 50.00 S/m	0.00 to 5.00 S/m
		0.0 to 200.0 S/m	0.0 to 20.0 S/m
		0 to 200 g/L	0 to 20 g/L
		0 to 500 g/L	0 to 50 g/L
		0 to 2000 g/L	0 to 200 g/L
		Seawater salinity 0.00 to 4.00%	0.00 to 0.40%
		NaCl salinity 0.00 to 20.00%	0.00 to 2.00%
		• Temperature input	
		Measurement Range	Setting Range
		0.0 to 100.0°C	0.0 to 10.0°C
A□□ High/Low limits independent upper side span, A□□ High/Low limits independent lower side span	<ul style="list-style-type: none"> • Conductivity input: Measurement range low limit to Measurement range high limit (*1) • Temperature input: 0.0 to 100.0°C (*2) (*1) Measurement unit and decimal point place follow the measurement range. (*2) The placement of the decimal point does not follow the selection. It is fixed.		
A□□ hysteresis	Setting range differs depending on A□□ type and measurement range. <ul style="list-style-type: none"> • Conductivity input 		
		Cell constant 1.0/cm	
		Measurement Range	Setting Range
		0.00 to 20.00 mS/cm	0.01 to 2.00 mS/cm
		0.0 to 200.0 mS/cm	0.1 to 20.0 mS/cm
		0.0 to 500.0 mS/cm	0.1 to 50.0 mS/cm
		0 to 500 mS/cm	1 to 50 mS/cm
		0.000 to 2.000 mS/cm	0.001 to 0.200 mS/cm
		0.000 to 5.000 mS/cm	0.001 to 0.500 mS/cm
		0.00 to 50.00 mS/cm	0.01 to 5.00 mS/cm
		0 to 2000 μS/cm	1 to 200 μS/cm
		0 to 5000 μS/cm	1 to 500 μS/cm
		0.000 to 2.000 S/m	0.001 to 0.200 S/m
		0.00 to 20.00 S/m	0.01 to 2.00 S/m
		0.00 to 50.00 S/m	0.01 to 5.00 S/m
		0.0 to 50.0 S/m	0.1 to 5.0 S/m
		0 to 2000 mS/m	1 to 200 mS/m
		0.000 to 5.000 S/m	0.001 to 0.500 S/m
		0.0 to 200.0 mS/m	0.1 to 20.0 mS/m
		0.0 to 500.0 mS/m	0.1 to 50.0 mS/m
		0.0 to 20.0 g/L	0.1 to 2.0 g/L
		0 to 200 g/L	1 to 20 g/L
		0 to 500 g/L	1 to 50 g/L
		0 to 2000 mg/L	1 to 200 mg/L
		0 to 5000 mg/L	1 to 500 mg/L
		Seawater salinity 0.00 to 4.00%	0.01 to 0.40%
		NaCl salinity 0.00 to 20.00%	0.01 to 2.00%

		Cell constant 10.0/cm:	
		Measurement Range	Setting Range
		0.0 to 200.0 mS/cm	0.1 to 20.0 mS/cm
		0.0 to 500.0 mS/cm	0.1 to 50.0 mS/cm
		0 to 2000 mS/cm	1 to 200 mS/cm
		0.00 to 20.00 S/m	0.01 to 2.00 S/m
		0.00 to 50.00 S/m	0.01 to 5.00 S/m
		0.0 to 200.0 S/m	0.1 to 20.0 S/m
		0 to 200 g/L	1 to 20 g/L
		0 to 500 g/L	1 to 50 g/L
		0 to 2000 g/L	1 to 200 g/L
		Seawater salinity 0.00 to 4.00%	0.01 to 0.40%
		NaCl salinity 0.00 to 20.00%	0.01 to 2.00%
		• Temperature input:	
		Measurement Range	Setting Range
		0.0 to 100.0°C	0.1 to 10.0°C
A□□ Type	<p>One type can be selected from the following via the keypad.</p> <ul style="list-style-type: none"> • No action • Conductivity input low limit action • Conductivity input high limit action • Temperature input low limit action • Temperature input high limit action • Error output [When the error type is “Error” (p.72), the output is turned ON.] • Fail output [When the error type is “Fail” (p.72), the output is turned ON.] • Conductivity input High/Low limits independent action • Temperature input High/Low limits independent action 		
Output	Relay contact, 1a		
	Control capacity	3A 250 V AC (Resistive load) 1A 250 V AC (Inductive load $\cos\phi=0.4$)	
	Electrical life	100,000 cycles	
A□□ ON delay time	0 to 9999 seconds		
A□□ OFF delay time	0 to 9999 seconds		
A1, A2 output allocations	For A1 (or A2) output, A11 type, A12 type, A21 type and/or A22 type can be allocated. Output is OR output.		
Output ON time/ OFF time when A1/A2 output ON	If Output ON time and OFF time are set, A1 (or A2) output can be turned ON/OFF in a configured cycle when A1 (or A2) output is ON.		
Conductivity input error alarm	<p>Detects actuator trouble.</p> <p>Even if conductivity input error alarm time has elapsed, and if conductivity input does not become higher than conductivity input error alarm band, the unit assumes that actuator trouble has occurred, and writes Status flag 2 (A1, A2 conductivity input error alarm output flag bit).</p> <p>In Serial communication, status can be read by reading Status flag 2 (A1, A2 conductivity input error alarm output flag bit).</p> <p>Conductivity input error alarm is disabled during Conductivity Zero or Span adjustment.</p> <p>Conductivity input error alarm is enabled only when E_{C-L} (Conductivity input low limit action) or E_{C-H} (Conductivity input high limit action) is selected in [A11, A12, A21, A22 type (pp.22, 23)].</p>		

Transmission Output 1 (Option Code: TA)

Transmission Output 1	<p>Converting conductivity or temperature to analog signal every input sampling period, and outputs the value in current.</p> <p>If $\square F F \square$ (No temperature compensation) is selected in [Temperature compensation method (p.30)], and if $\Gamma E \bar{n} P$ (Temperature transmission) is selected in [Transmission output 1 type (p.32)], Transmission output 1 value will differ depending on the selection in [Temperature Display when no temperature compensation (p.34)] as follows.</p> <ul style="list-style-type: none"> • If $\square F F \square$ (Unlit) or Hf d (Reference temperature) is selected, the value set in [Reference temperature (p.30)] will be output. • If $P \text{H} \square$ (Measured value) is selected, the measured value will be output. <p>If Transmission output 1 high limit and low limit are set to the same value, Transmission output 1 will be fixed at 4 mA DC.</p>	
	Resolution	12000
	Current	4 to 20 mA DC (Load resistance: Max. 550 Ω)
	Output accuracy	Within $\pm 0.3\%$ of Transmission output 1 span
Transmission output 1 adjustment	Fine adjustment of the Transmission output 1 can be performed via Transmission output 1 Zero and Span adjustments.	
Transmission output 1 status when calibrating	Selects Transmission output 1 status when calibrating conductivity.	
	Last value HOLD	Retains the last value before conductivity calibration, and outputs it.
	Set value HOLD	Outputs the value set in [Transmission output 1 value HOLD when calibrating].
	Measured value	Outputs the measured value when calibrating conductivity.

Transmission Output 2 (Option Code: TA2)

Transmission Output 2	<p>Converting conductivity or temperature to analog signal every input sampling period, and outputs the value in current.</p> <p>If $\square F F \square$ (No temperature compensation) is selected in [Temperature compensation method (p.30)], and if $\Gamma E \bar{n} P$ (Temperature transmission) is selected in [Transmission output 2 type (p.32)], Transmission output 2 value will differ depending on the selection in [Temperature Display when no temperature compensation (p.34)] as follows.</p> <ul style="list-style-type: none"> • If $\square F F \square$ (Unlit) or Hf d (Reference temperature) is selected, the value set in [Reference temperature (p.30)] will be output. • If $P \text{H} \square$ (Measured value) is selected, the measured value will be output. <p>If Transmission output 2 high limit and low limit are set to the same value, Transmission output 2 will be fixed at 4 mA DC.</p>	
	Resolution	12000
	Current	4 to 20 mA DC (Load resistance: Max. 550 Ω)
	Output accuracy	Within $\pm 0.3\%$ of Transmission output 2 span
Transmission output 2 adjustment	Fine adjustment of the Transmission output 2 can be performed via Transmission output 2 Zero and Span adjustments.	
Transmission output 2 status when calibrating	Selects Transmission output 2 status when calibrating conductivity.	
	Last value HOLD	Retains the last value before conductivity calibration, and outputs it.
	Set value HOLD	Outputs the value set in [Transmission output 2 value HOLD when calibrating].
	Measured value	Outputs the measured value when calibrating conductivity.

13. Troubleshooting

If any malfunction occurs, refer to the following items after checking that power is being supplied to the WIL-102-ECH.

13.1 Indication

Problem	Possible Cause	Solution
The Conductivity/ Temperature Display is unlit.	$n o n \bar{E}$ (No Indication) is selected in [Display selection (p.34)].	Select ALL (Conductivity/ Temperature).
	The time set in [Indication time (p.34)] has passed.	If any key is pressed while displays are unlit, they will re-light. Set the indication time to a suitable time-frame.
The Conductivity/ Temperature Display is dark.	$U \bar{L} \bar{E}$ (Enabled) is selected in [Auto-light function (p.34)].	Select $---$ (Disabled).
Indication of the Conductivity/Temperature Display is unstable or irregular.	Conductivity calibration and temperature calibration may not have finished.	Perform conductivity calibration and temperature calibration.
	Specifications of 4-electrode Conductivity Sensor may not be suitable.	Replace the sensor with a suitable one.
	There may be equipment that interferes with or makes noise near the WIL-102-ECH.	Keep WIL-102-ECH clear of any potentially disruptive equipment. Try [Grounding of shield wire terminal (E)].
Temperature Display is unlit.	$a \bar{F} \bar{F}$ (Unlit) is selected in [Temperature Display when no temperature compensation (p.34)].	Select $r \bar{f} \bar{d}$ (Reference temperature) or $P \bar{H}$ (Measured value).
$[E \bar{r} \bar{0} 1]$ is flashing on the Temperature Display.	The temperature sensor lead wire is burnt out.	Replace the temperature sensor.
$[E \bar{r} \bar{0} 2]$ is flashing on the Temperature Display.	The temperature sensor lead wire is short-circuited.	Replace the temperature sensor.
$[E \bar{r} \bar{0} 3]$ is flashing on the Temperature Display.	Measured temperature has exceeded 110.0°C.	Check the environment of measurement location.
$[E \bar{r} \bar{0} 4]$ is flashing on the Temperature Display.	Measured temperature is less than 0.0°C.	Check the environment of measurement location.
$[E \bar{r} \bar{r} 1]$ is indicating on the Conductivity Display.	Internal memory is defective.	Contact our agency or us.

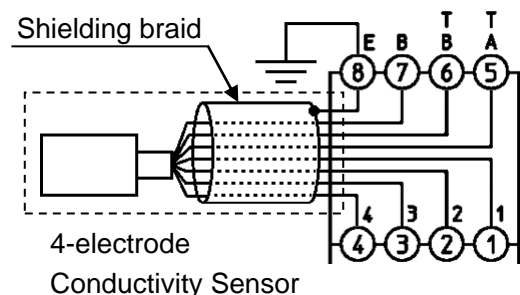
- Grounding of shield wire terminal (E)

If the indication fluctuates due to noise, ground the shield wire terminal (E).



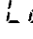



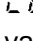

However, depending on the installation environment, the symptom may not be improved.

In this case, disconnect the grounding of the shield wire terminal (E) and return it to the original state.

(Depending on the type of sensor, the cable for the shield wire terminal (E) may not be available.)



13.2 Key Operation

Problem	Possible Cause	Solution
None of the set values can be changed. The values do not change by the  ,  keys.	 (Lock 1) is selected in [Set value lock (p.31)].	Select  (Unlock).
Only A□□ value can be set. Other settings are impossible. The values do not change by the  ,  keys.	 (Lock 2) is selected in [Set value lock (p.31)].	Select  (Unlock).

13.3 Communication

Check that power is being supplied to the master and slave that customers use.

If communication failure still occurs, check the following.

Problem	Possible Cause	Solution
Communication failure	Communication cable is not securely connected, or is disconnected/defective.	Check the communication cable and connector.
	Incorrect wiring of the communication cable and/or connector	Check the communication cable and connector.
	Imperfect contact between the communication cable and the connector, or between the communication connector and instrument port	Check the communication cable and connector.
	Communication speed of the slave does not match that of the master.	Check the communication speed of the slave and master.
	The data bit, parity and stop bit of the master do not correspond to those of the slave.	Check the data bit, parity and stop bit of the master and the slave.
	The instrument number (address) of the slave does not correspond to that of the command.	Check the instrument number (address) of the slave and command.
	The instrument numbers (addresses) are duplicated in multiple slaves.	Check the instrument numbers (addresses) of the slave.
	Make sure that the program is appropriate for the transmission timing.	Check the program.
Although communication is occurring, the response is negative acknowledgement.	A non-existent command code has been sent.	Check the command code.
	The setting command data exceeds the setting range of the slave.	Check the setting range of the slave.
	The WIL-102-ECH cannot be set during calibration mode.	Check the slave status.
	The WIL-102-ECH is in the front keypad operation setting mode.	Return the unit to Conductivity/ Temperature Display Mode.

14. Temperature Compensation Method

14.1 Temperature Compensation Based on the Temperature Characteristics of NaCl

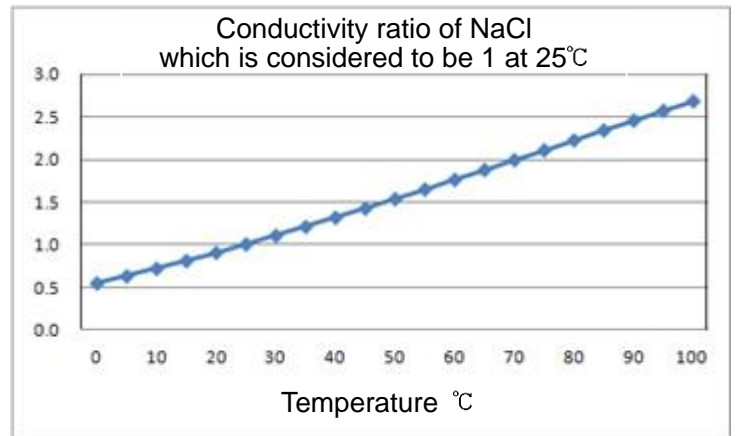
When the main ingredient of the salt contained in a sample is NaCl, use temperature compensation method based on the temperature characteristics of NaCl.

Conductivity of NaCl solution varies with the ratio based on the conductivity at 25°C as shown below.

The conductivity at 25°C is calculated on the basis of the conductivity ratio at each temperature in (Table 14.1-1).

(Table 14.1-1)

Temperature (°C)	Conductivity ratio of NaCl	Coefficient
0	0.542	1.845
5	0.626	1.596
10	0.715	1.399
15	0.806	1.240
20	0.902	1.109
25	1.000	1.000
30	1.101	0.908
35	1.205	0.830
40	1.312	0.762
45	1.420	0.704
50	1.531	0.653
55	1.643	0.609
60	1.757	0.569
65	1.872	0.534
70	1.987	0.503
75	2.103	0.476
80	2.219	0.451
85	2.335	0.428
90	2.450	0.408
95	2.564	0.390
100	2.677	0.374



(Fig.14.1-1)

14.2 How to Input Temperature Coefficient

Temperature compensation is conducted using temperature coefficient (%/°C) and a randomly selected reference temperature.

Conductivity of the solution varies depending on the temperature.

If temperature rises by 1°C, the conductivity rises by 2% at 25°C basis in general.

Temperature coefficient differs depending on the solution type and its concentration, which ranges from 0.50 to 2.50.

By inputting the temperature coefficient, temperature compensation can be calculated to find the conductivity at 25°C.

Temperature coefficient 2.00 %/°C can be used for most of solutions.

If temperature coefficient of solution is already-known, enter the value. (Table 14.2-1)

If the conductivity at an arbitrary temperature T°C is already-known, and if reference temperature is ST°C, conductivity C_(ST) at the reference temperature can be obtained according to the following formula.

$$C_{(ST)} = \frac{C_{(T)}}{(1 + 0.01 \times \alpha \times (T - ST))}$$

C_(ST): Conductivity of the solution at ST°C

C_(T): Conductivity of the solution at T°C

α: Temperature coefficient of conductivity (%)

T: Arbitrary temperature T°C

ST: Reference temperature ST°C

(Table 14.2-1)

Sub-stance	Tempe- rature (°C)	Concen- tration Wt%	Conduc- tivity S/m	Temperature coefficient (%/°C)	Sub- stance	Tempe- rature (°C)	Concen- tration Wt%	Conduc- tivity S/m	Temperature coefficient (%/°C)
NaOH	15	5	19.69	2.01	NaCl	18	5	6.72	2.17
		10	31.24	2.17			10	12.11	2.14
		15	34.63	2.49			15	16.42	2.12
		20	32.70	2.99			20	19.57	2.16
		30	20.22	4.50			25	21.35	2.27
		40	11.64	6.48			5	4.09	2.36
KOH	15	25.2	54.03	2.09	Na ₂ SO ₄	18	10	6.87	2.49
		29.4	54.34	2.21			15	8.86	2.56
		33.6	52.21	2.36			5	4.56	2.52
		42	42.12	2.83	Na ₂ CO ₃	18	10	7.05	2.71
0.1	0.0251	2.46	15	8.36			2.94		
NH ₃	15	1.6	0.0867	2.38	KCl	18	5	6.90	2.01
		4.01	0.1095	2.50			10	13.59	1.88
		8.03	0.1038	2.62			15	20.20	1.79
		16.15	0.0632	3.01			20	26.77	1.68
		1.5	1.98	0.72			21	28.10	1.68
HF	18	4.8	5.93	0.66	KBr	15	5	4.65	2.06
		24.5	28.32	0.58			10	9.28	1.94
		5	39.48	1.58			20	19.07	1.77
HCl	18	10	63.02	1.56	KCN	15	3.25	5.07	2.07
		20	76.15	1.54			6.5	10.26	1.98
		30	66.20	1.52			-	-	-
		5	20.85	1.21			NH ₄ Cl	18	5
10	39.15	1.28	10	17.76	1.86				
20	65.27	1.45	15	25.86	1.71				
40	68.00	1.78	20	33.65	1.61				
50	54.05	1.93	25	40.25	1.54				
H ₂ SO ₄	18	60	37.26	2.13	NH ₄ NO ₃	15	5	5.90	2.03
		80	11.05	3.49			10	11.17	1.94
		100.14	1.87	0.30			30	28.41	1.68
		-	-	-			50	36.22	1.56
		6.2	31.23				CuSO ₄	18	2.5
12.4	54.18		5	18.90	2.16				
31	78.19		10	32.00	2.18				
49.6	63.41		15	42.10	2.31				
62	49.64		10	15.26	1.69				
H ₃ PO ₄	15	10	5.66		CH ₃ COOH	18	15	16.19	1.74
		20	11.29				20	16.05	1.79
		40	20.70				30	14.01	1.86
		45	20.87				40	10.81	1.96
		50	20.73				60	4.56	2.06

15. Character Tables

The following shows our character tables. Use data column for your reference.

Setting Groups

Character	Setting Group
<i>F.nc.1</i>	Conductivity Input Group
<i>F.nc.2</i>	Temperature Input Group
<i>a.F.E.r</i>	Basic Function Group

Temperature Calibration Mode

Character	Setting Item, Setting Range	Factory Default	Data
<i>40□□</i> (*) <i>□□□□</i>	Temperature calibration Setting range: -10.0 to 10.0°C	0.0°C	

(*) *40□□* and temperature are displayed alternately.

Conductivity Calibration Mode

Character	Setting Item, Setting Range	Factory Default	Data
<i>AdjE</i> (*) <i>□□□□</i>	Conductivity Zero adjustment value See (Table 15-1). (pp.81, 82)	0.00	
<i>AdjH</i> (*) <i>□□□□</i>	Conductivity Span adjustment value Setting range: 0.700 to 1.300	1.000	

(*) *AdjE* and conductivity are displayed alternately.

(*) *AdjH* and conductivity are displayed alternately.

(Table 15-1)

Measurement Range	Conductivity Zero Adjustment Value Setting Range	
Cell constant 1.0/cm	0.00 to 20.00 mS/cm	-2.00 to 2.00 mS/cm
	0.0 to 200.0 mS/cm	-20.0 to 20.0 mS/cm
	0.0 to 500.0 mS/cm	-50.0 to 50.0 mS/cm
	0 to 500 mS/cm	-50 to 50 mS/cm
	0.000 to 2.000 mS/cm	-0.200 to 0.200 mS/cm
	0.000 to 5.000 mS/cm	-0.500 to 0.500 mS/cm
	0.00 to 50.00 mS/cm	-5.00 to 5.00 mS/cm
	0 to 2000 μ S/cm	-200 to 200 μ S/cm
	0 to 5000 μ S/cm	-500 to 500 μ S/cm
	0.000 to 2.000 S/m	-0.200 to 0.200 S/m
	0.00 to 20.00 S/m	-2.00 to 2.00 S/m
	0.00 to 50.00 S/m	-5.00 to 5.00 S/m
	0.0 to 50.0 S/m	-5.0 to 5.0 S/m
	0 to 2000 mS/m	-200 to 200 mS/m
	0.000 to 5.000 S/m	-0.500 to 0.500 S/m
	0.0 to 200.0 mS/m	-20.0 to 20.0 mS/m
	0.0 to 500.0 mS/m	-50.0 to 50.0 mS/m
	0.0 to 20.0 g/L	-2.0 to 2.0 g/L
	0 to 200 g/L	-20 to 20 g/L
	0 to 500 g/L	-50 to 50 g/L
0 to 2000 mg/L	-200 to 200 mg/L	
0 to 5000 mg/L	-500 to 500 mg/L	

Cell constant 10.0/cm	0.0 to 200.0 mS/cm	-20.0 to 20.0 mS/cm
	0.0 to 500.0 mS/cm	-50.0 to 50.0 mS/cm
	0 to 2000 mS/cm	-200 to 200 mS/cm
	0.00 to 20.00 S/m	-2.00 to 2.00 S/m
	0.00 to 50.00 S/m	-5.00 to 5.00 S/m
	0.0 to 200.0 S/m	-20.0 to 20.0 S/m
	0 to 200 g/L	-20 to 20 g/L
	0 to 500 g/L	-50 to 50 g/L
	0 to 2000 g/L	-200 to 200 g/L
Seawater salinity 0.00 to 4.00%		-0.40 to 0.40%
NaCl salinity 0.00 to 20.00%		-2.00 to 2.00%

Transmission Output 1 Adjustment Mode

Character	Setting Item, Setting Range	Factory Default	Data
<i>AJ=1</i> <i>000</i>	Transmission output 1 Zero adjustment value Setting range: $\pm 5.00\%$ of Transmission output 1 span	0.00%	
<i>AJ41</i> <i>000</i>	Transmission output 1 Span adjustment value Setting range: $\pm 5.00\%$ of Transmission output 1 span	0.00%	

Transmission Output 2 Adjustment Mode

Character	Setting Item, Setting Range	Factory Default	Data
<i>AJ=2</i> <i>000</i>	Transmission output 2 Zero adjustment value Setting range: $\pm 5.00\%$ of Transmission output 2 span	0.00%	
<i>AJ42</i> <i>000</i>	Transmission output 2 Span adjustment value Setting range: $\pm 5.00\%$ of Transmission output 2 span	0.00%	

Conductivity Input Group

Character	Setting Item, Setting Range	Factory Default	Data
<i>cELL</i> <i>00 10</i>	Sensor cell constant Selection item: <i>00 10</i> : 1.0/cm <i>00 100</i> : 10.0/cm	1.0/cm	
<i>coEF</i> <i>1000</i>	Cell constant correction value Setting range: 0.001 to 5.000	1.000	
<i>Unit</i> <i>conB</i>	Measurement unit Selection item: <i>conB</i> : Conductivity (mS/cm, μ S/cm) <i>4i 00</i> : Conductivity (S/m, mS/m) <i>4EF0</i> : Seawater salinity (%) <i>4ALF</i> : NaCl salinity (%) <i>fd40</i> : TDS conversion (g/L, mg/L)	Conductivity (mS/cm, μ S/cm)	

Character	Setting Item, Setting Range	Factory Default	Data																																																			
2000 2000	Measurement range (Table 15-2) When sensor cell constant 1.0/cm is selected:	20.00 mS/cm																																																				
	<table border="1"> <thead> <tr> <th>Measurement Unit</th> <th>Selection item</th> <th>Measurement Range</th> </tr> </thead> <tbody> <tr> <td rowspan="9">Conductivity (mS/cm, μS/cm)</td> <td>2000</td> <td>0.00 to 20.00 mS/cm</td> </tr> <tr> <td>2000</td> <td>0.0 to 200.0 mS/cm</td> </tr> <tr> <td>5000</td> <td>0.0 to 500.0 mS/cm</td> </tr> <tr> <td>500</td> <td>0 to 500 mS/cm</td> </tr> <tr> <td>2000</td> <td>0.000 to 2.000 mS/cm</td> </tr> <tr> <td>5000</td> <td>0.000 to 5.000 mS/cm</td> </tr> <tr> <td>5000</td> <td>0.00 to 50.00 mS/cm</td> </tr> <tr> <td>2000</td> <td>0 to 2000 μS/cm</td> </tr> <tr> <td>5000</td> <td>0 to 5000 μS/cm</td> </tr> <tr> <td rowspan="7">Conductivity (S/m, mS/m)</td> <td>2000</td> <td>0.000 to 2.000 S/m</td> </tr> <tr> <td>2000</td> <td>0.00 to 20.00 S/m</td> </tr> <tr> <td>5000</td> <td>0.00 to 50.00 S/m</td> </tr> <tr> <td>500</td> <td>0.0 to 50.0 S/m</td> </tr> <tr> <td>2000</td> <td>0 to 2000 mS/m</td> </tr> <tr> <td>5000</td> <td>0.000 to 5.000 S/m</td> </tr> <tr> <td>5000</td> <td>0.0 to 200.0 mS/m</td> </tr> <tr> <td rowspan="4">TDS conversion (g/L, mg/L)</td> <td>200</td> <td>0.0 to 20.0 g/L</td> </tr> <tr> <td>200</td> <td>0 to 200 g/L</td> </tr> <tr> <td>500</td> <td>0 to 500 g/L</td> </tr> <tr> <td>2000</td> <td>0 to 2000 mg/L</td> </tr> <tr> <td rowspan="2">Seawater salinity (%)</td> <td>400</td> <td>0.00 to 4.00%</td> </tr> <tr> <td>2000</td> <td>0.00 to 20.00%</td> </tr> </tbody> </table>	Measurement Unit	Selection item	Measurement Range	Conductivity (mS/cm, μ S/cm)	2000	0.00 to 20.00 mS/cm	2000	0.0 to 200.0 mS/cm	5000	0.0 to 500.0 mS/cm	500	0 to 500 mS/cm	2000	0.000 to 2.000 mS/cm	5000	0.000 to 5.000 mS/cm	5000	0.00 to 50.00 mS/cm	2000	0 to 2000 μ S/cm	5000	0 to 5000 μ S/cm	Conductivity (S/m, mS/m)	2000	0.000 to 2.000 S/m	2000	0.00 to 20.00 S/m	5000	0.00 to 50.00 S/m	500	0.0 to 50.0 S/m	2000	0 to 2000 mS/m	5000	0.000 to 5.000 S/m	5000	0.0 to 200.0 mS/m	TDS conversion (g/L, mg/L)	200	0.0 to 20.0 g/L	200	0 to 200 g/L	500	0 to 500 g/L	2000	0 to 2000 mg/L	Seawater salinity (%)	400	0.00 to 4.00%	2000	0.00 to 20.00%		
	Measurement Unit	Selection item	Measurement Range																																																			
	Conductivity (mS/cm, μ S/cm)	2000	0.00 to 20.00 mS/cm																																																			
		2000	0.0 to 200.0 mS/cm																																																			
		5000	0.0 to 500.0 mS/cm																																																			
		500	0 to 500 mS/cm																																																			
		2000	0.000 to 2.000 mS/cm																																																			
		5000	0.000 to 5.000 mS/cm																																																			
		5000	0.00 to 50.00 mS/cm																																																			
		2000	0 to 2000 μ S/cm																																																			
		5000	0 to 5000 μ S/cm																																																			
	Conductivity (S/m, mS/m)	2000	0.000 to 2.000 S/m																																																			
		2000	0.00 to 20.00 S/m																																																			
		5000	0.00 to 50.00 S/m																																																			
		500	0.0 to 50.0 S/m																																																			
		2000	0 to 2000 mS/m																																																			
		5000	0.000 to 5.000 S/m																																																			
		5000	0.0 to 200.0 mS/m																																																			
	TDS conversion (g/L, mg/L)	200	0.0 to 20.0 g/L																																																			
		200	0 to 200 g/L																																																			
		500	0 to 500 g/L																																																			
		2000	0 to 2000 mg/L																																																			
	Seawater salinity (%)	400	0.00 to 4.00%																																																			
		2000	0.00 to 20.00%																																																			
	When sensor cell constant 10.0/cm is selected:																																																					
	<table border="1"> <thead> <tr> <th>Measurement Unit</th> <th>Selection item</th> <th>Measurement Range</th> </tr> </thead> <tbody> <tr> <td rowspan="3">Conductivity (mS/cm)</td> <td>2000</td> <td>0.0 to 200.0 mS/cm</td> </tr> <tr> <td>5000</td> <td>0.0 to 500.0 mS/cm</td> </tr> <tr> <td>2000</td> <td>0 to 2000 mS/cm</td> </tr> <tr> <td rowspan="3">Conductivity (S/m, mS/m)</td> <td>2000</td> <td>0.00 to 20.00 S/m</td> </tr> <tr> <td>5000</td> <td>0.00 to 50.00 S/m</td> </tr> <tr> <td>2000</td> <td>0.0 to 200.0 S/m</td> </tr> <tr> <td rowspan="3">TDS conversion (g/L)</td> <td>200</td> <td>0 to 200 g/L</td> </tr> <tr> <td>500</td> <td>0 to 500 g/L</td> </tr> <tr> <td>2000</td> <td>0 to 2000 g/L</td> </tr> <tr> <td rowspan="2">Seawater salinity (%)</td> <td>400</td> <td>0.00 to 4.00%</td> </tr> <tr> <td>2000</td> <td>0.00 to 20.00%</td> </tr> </tbody> </table>	Measurement Unit	Selection item	Measurement Range	Conductivity (mS/cm)	2000	0.0 to 200.0 mS/cm	5000	0.0 to 500.0 mS/cm	2000	0 to 2000 mS/cm	Conductivity (S/m, mS/m)	2000	0.00 to 20.00 S/m	5000	0.00 to 50.00 S/m	2000	0.0 to 200.0 S/m	TDS conversion (g/L)	200	0 to 200 g/L	500	0 to 500 g/L	2000	0 to 2000 g/L	Seawater salinity (%)	400	0.00 to 4.00%	2000	0.00 to 20.00%																								
	Measurement Unit	Selection item	Measurement Range																																																			
	Conductivity (mS/cm)	2000	0.0 to 200.0 mS/cm																																																			
		5000	0.0 to 500.0 mS/cm																																																			
		2000	0 to 2000 mS/cm																																																			
	Conductivity (S/m, mS/m)	2000	0.00 to 20.00 S/m																																																			
		5000	0.00 to 50.00 S/m																																																			
2000		0.0 to 200.0 S/m																																																				
TDS conversion (g/L)	200	0 to 200 g/L																																																				
	500	0 to 500 g/L																																																				
	2000	0 to 2000 g/L																																																				
Seawater salinity (%)	400	0.00 to 4.00%																																																				
	2000	0.00 to 20.00%																																																				
Td4t 0.50	TDS conversion factor Setting range: 0.30 to 1.00	0.50																																																				

Character	Setting Item, Setting Range	Factory Default	Data
<i>A11F</i> □□□□	A11 type Selection item: □□□□ : No action <i>Ec_L</i> : Conductivity input low limit action <i>Ec_H</i> : Conductivity input high limit action <i>TAPL</i> : Temperature input low limit action <i>TAPH</i> : Temperature input high limit action <i>ErrF</i> : Err output <i>FAIL</i> : Fail output <i>EcHL</i> : Conductivity input High/Low limits independent action <i>TnHL</i> : Temperature input High/Low limits independent action	No action	
<i>A12F</i> □□□□	A12 type Selection item: Same as those of A11 type (p.84)	No action	
<i>A21F</i> □□□□	A21 type Selection item: Same as those of A11 type (p.84)	No action	
<i>A22F</i> □□□□	A22 type Selection item: Same as those of A11 type (p.84)	No action	
<i>A11□</i> □□□□	A11 value Setting range: Conductivity input: Measurement range low limit to Measurement range high limit (*1) Temperature input: 0.0 to 100.0°C (*2)	Conductivity input: 0.00 mS/cm Temperature input: 0.0°C	
<i>A12□</i> □□□□	A12 value Setting range: Same as those of A11 value (p.84)	Conductivity input: 0.00 mS/cm Temperature input: 0.0°C	
<i>A21□</i> □□□□	A21 value Setting range: Same as those of A11 value (p.84)	Conductivity input: 0.00 mS/cm Temperature input: 0.0°C	
<i>A22□</i> □□□□	A22 value Setting range: Same as those of A11 value (p.84)	Conductivity input: 0.00 mS/cm Temperature input: 0.0°C	
<i>A11d</i> <i>4d1F</i>	A11 hysteresis type Selection item: <i>cd1F</i> : Medium value <i>4d1F</i> : Reference value	Reference value	

(*1) The measurement unit and decimal point place follow the measurement range.

(*2) The placement of the decimal point does not follow the selection. It is fixed.

Character	Setting Item, Setting Range	Factory Default	Data																																																																								
R11U □□□	A11 ON side (Table 15-3) Conductivity input:	Conductivity input: 0.01 mS/cm Temperature input: 1.0°C																																																																									
	<table border="1"> <thead> <tr> <th></th> <th>Measurement Range</th> <th>Setting Range</th> </tr> </thead> <tbody> <tr> <td rowspan="20">Cell constant 1.0/cm</td> <td>0.00 to 20.00 mS/cm</td> <td>0.00 to 2.00 mS/cm</td> </tr> <tr> <td>0.0 to 200.0 mS/cm</td> <td>0.0 to 20.0 mS/cm</td> </tr> <tr> <td>0.0 to 500.0 mS/cm</td> <td>0.0 to 50.0 mS/cm</td> </tr> <tr> <td>0 to 500 mS/cm</td> <td>0 to 50 mS/cm</td> </tr> <tr> <td>0.000 to 2.000 mS/cm</td> <td>0.000 to 0.200 mS/cm</td> </tr> <tr> <td>0.000 to 5.000 mS/cm</td> <td>0.000 to 0.500 mS/cm</td> </tr> <tr> <td>0.00 to 50.00 mS/cm</td> <td>0.00 to 5.00 mS/cm</td> </tr> <tr> <td>0 to 2000 μS/cm</td> <td>0 to 200 μS/cm</td> </tr> <tr> <td>0 to 5000 μS/cm</td> <td>0 to 500 μS/cm</td> </tr> <tr> <td>0.000 to 2.000 S/m</td> <td>0.000 to 0.200 S/m</td> </tr> <tr> <td>0.00 to 20.00 S/m</td> <td>0.00 to 2.00 S/m</td> </tr> <tr> <td>0.00 to 50.00 S/m</td> <td>0.00 to 5.00 S/m</td> </tr> <tr> <td>0.0 to 50.0 S/m</td> <td>0.0 to 5.0 S/m</td> </tr> <tr> <td>0 to 2000 mS/m</td> <td>0 to 200 mS/m</td> </tr> <tr> <td>0.000 to 5.000 S/m</td> <td>0.000 to 0.500 S/m</td> </tr> <tr> <td>0.0 to 200.0 mS/m</td> <td>0.0 to 20.0 mS/m</td> </tr> <tr> <td>0.0 to 500.0 mS/m</td> <td>0.0 to 50.0 mS/m</td> </tr> <tr> <td>0.0 to 20.0 g/L</td> <td>0.0 to 2.0 g/L</td> </tr> <tr> <td>0 to 200 g/L</td> <td>0 to 20 g/L</td> </tr> <tr> <td>0 to 500 g/L</td> <td>0 to 50 g/L</td> </tr> <tr> <td>0 to 2000 mg/L</td> <td>0 to 200 mg/L</td> </tr> <tr> <td>0 to 5000 mg/L</td> <td>0 to 500 mg/L</td> </tr> <tr> <td rowspan="8">Cell constant 10.0/cm</td> <td>0.0 to 200.0 mS/cm</td> <td>0.0 to 20.0 mS/cm</td> </tr> <tr> <td>0.0 to 500.0 mS/cm</td> <td>0.0 to 50.0 mS/cm</td> </tr> <tr> <td>0 to 2000 mS/cm</td> <td>0 to 200 mS/cm</td> </tr> <tr> <td>0.00 to 20.00 S/m</td> <td>0.00 to 2.00 S/m</td> </tr> <tr> <td>0.00 to 50.00 S/m</td> <td>0.00 to 5.00 S/m</td> </tr> <tr> <td>0.0 to 200.0 S/m</td> <td>0.0 to 20.0 S/m</td> </tr> <tr> <td>0 to 200 g/L</td> <td>0 to 20 g/L</td> </tr> <tr> <td>0 to 500 g/L</td> <td>0 to 50 g/L</td> </tr> <tr> <td>0 to 2000 g/L</td> <td>0 to 200 g/L</td> </tr> <tr> <td colspan="2">Seawater salinity 0.00 to 4.00%</td> <td>0.00 to 0.40%</td> </tr> <tr> <td colspan="2">NaCl salinity 0.00 to 20.00%</td> <td>0.00 to 2.00%</td> </tr> </tbody> </table>		Measurement Range	Setting Range	Cell constant 1.0/cm	0.00 to 20.00 mS/cm	0.00 to 2.00 mS/cm	0.0 to 200.0 mS/cm	0.0 to 20.0 mS/cm	0.0 to 500.0 mS/cm	0.0 to 50.0 mS/cm	0 to 500 mS/cm	0 to 50 mS/cm	0.000 to 2.000 mS/cm	0.000 to 0.200 mS/cm	0.000 to 5.000 mS/cm	0.000 to 0.500 mS/cm	0.00 to 50.00 mS/cm	0.00 to 5.00 mS/cm	0 to 2000 μS/cm	0 to 200 μS/cm	0 to 5000 μS/cm	0 to 500 μS/cm	0.000 to 2.000 S/m	0.000 to 0.200 S/m	0.00 to 20.00 S/m	0.00 to 2.00 S/m	0.00 to 50.00 S/m	0.00 to 5.00 S/m	0.0 to 50.0 S/m	0.0 to 5.0 S/m	0 to 2000 mS/m	0 to 200 mS/m	0.000 to 5.000 S/m	0.000 to 0.500 S/m	0.0 to 200.0 mS/m	0.0 to 20.0 mS/m	0.0 to 500.0 mS/m	0.0 to 50.0 mS/m	0.0 to 20.0 g/L	0.0 to 2.0 g/L	0 to 200 g/L	0 to 20 g/L	0 to 500 g/L	0 to 50 g/L	0 to 2000 mg/L	0 to 200 mg/L	0 to 5000 mg/L	0 to 500 mg/L	Cell constant 10.0/cm	0.0 to 200.0 mS/cm	0.0 to 20.0 mS/cm	0.0 to 500.0 mS/cm	0.0 to 50.0 mS/cm	0 to 2000 mS/cm	0 to 200 mS/cm	0.00 to 20.00 S/m	0.00 to 2.00 S/m	0.00 to 50.00 S/m	0.00 to 5.00 S/m	0.0 to 200.0 S/m	0.0 to 20.0 S/m	0 to 200 g/L	0 to 20 g/L	0 to 500 g/L	0 to 50 g/L	0 to 2000 g/L	0 to 200 g/L	Seawater salinity 0.00 to 4.00%		0.00 to 0.40%	NaCl salinity 0.00 to 20.00%		0.00 to 2.00%	
	Measurement Range	Setting Range																																																																									
Cell constant 1.0/cm	0.00 to 20.00 mS/cm	0.00 to 2.00 mS/cm																																																																									
	0.0 to 200.0 mS/cm	0.0 to 20.0 mS/cm																																																																									
	0.0 to 500.0 mS/cm	0.0 to 50.0 mS/cm																																																																									
	0 to 500 mS/cm	0 to 50 mS/cm																																																																									
	0.000 to 2.000 mS/cm	0.000 to 0.200 mS/cm																																																																									
	0.000 to 5.000 mS/cm	0.000 to 0.500 mS/cm																																																																									
	0.00 to 50.00 mS/cm	0.00 to 5.00 mS/cm																																																																									
	0 to 2000 μS/cm	0 to 200 μS/cm																																																																									
	0 to 5000 μS/cm	0 to 500 μS/cm																																																																									
	0.000 to 2.000 S/m	0.000 to 0.200 S/m																																																																									
	0.00 to 20.00 S/m	0.00 to 2.00 S/m																																																																									
	0.00 to 50.00 S/m	0.00 to 5.00 S/m																																																																									
	0.0 to 50.0 S/m	0.0 to 5.0 S/m																																																																									
	0 to 2000 mS/m	0 to 200 mS/m																																																																									
	0.000 to 5.000 S/m	0.000 to 0.500 S/m																																																																									
	0.0 to 200.0 mS/m	0.0 to 20.0 mS/m																																																																									
	0.0 to 500.0 mS/m	0.0 to 50.0 mS/m																																																																									
	0.0 to 20.0 g/L	0.0 to 2.0 g/L																																																																									
	0 to 200 g/L	0 to 20 g/L																																																																									
	0 to 500 g/L	0 to 50 g/L																																																																									
0 to 2000 mg/L	0 to 200 mg/L																																																																										
0 to 5000 mg/L	0 to 500 mg/L																																																																										
Cell constant 10.0/cm	0.0 to 200.0 mS/cm	0.0 to 20.0 mS/cm																																																																									
	0.0 to 500.0 mS/cm	0.0 to 50.0 mS/cm																																																																									
	0 to 2000 mS/cm	0 to 200 mS/cm																																																																									
	0.00 to 20.00 S/m	0.00 to 2.00 S/m																																																																									
	0.00 to 50.00 S/m	0.00 to 5.00 S/m																																																																									
	0.0 to 200.0 S/m	0.0 to 20.0 S/m																																																																									
	0 to 200 g/L	0 to 20 g/L																																																																									
	0 to 500 g/L	0 to 50 g/L																																																																									
0 to 2000 g/L	0 to 200 g/L																																																																										
Seawater salinity 0.00 to 4.00%		0.00 to 0.40%																																																																									
NaCl salinity 0.00 to 20.00%		0.00 to 2.00%																																																																									
R11L □□□	A11 OFF side	Conductivity input: 0.01 mS/cm, Temperature input: 1.0°C Setting range: Same as those of A11 ON side (p.85)																																																																									
	A12 hysteresis type	Reference value Selection item: Same as those of A11 hysteresis type (p.84)																																																																									
R12U □□□	A12 ON side	Conductivity input: 0.01 mS/cm, Temperature input: 1.0°C Setting range: Same as those of A11 ON side (P.85)																																																																									
	A12 OFF side	Conductivity input: 0.01 mS/cm, Temperature input: 1.0°C Setting range: Same as those of A11 ON side (P.85)																																																																									
R21d 4d1 F	A21 hysteresis type	Reference value Selection item: Same as those of A11 hysteresis type (p.84)																																																																									

Character	Setting Item, Setting Range	Factory Default	Data
<i>A2 1U</i> □□□□	A21 ON side Setting range: Same as those of A11 ON side (P.85)	Conductivity input: 0.01 mS/cm, Temperature input: 1.0°C	
<i>A2 1L</i> □□□□	A21 OFF side Setting range: Same as those of A11 ON side (P.85)	Conductivity input: 0.01 mS/cm, Temperature input: 1.0°C	
<i>A22d</i> 4d1F	A22 hysteresis type Selection item: Same as those of A11 hysteresis type (p.84)	Reference value	
<i>A22U</i> □□□□	A22 ON side Setting range: Same as those of A11 ON side (p.85)	Conductivity input: 0.01 mS/cm, Temperature input: 1.0°C	
<i>A22L</i> □□□□	A22 OFF side Setting range: Same as those of A11 ON side (p.85)	Conductivity input: 0.01 mS/cm, Temperature input: 1.0°C	
<i>A 11a</i> □□□□	A11 ON delay time Setting range: 0 to 9999 seconds	0 seconds	
<i>A 12a</i> □□□□	A12 ON delay time Setting range: 0 to 9999 seconds	0 seconds	
<i>A2 1a</i> □□□□	A21 ON delay time Setting range: 0 to 9999 seconds	0 seconds	
<i>A22a</i> □□□□	A22 ON delay time Setting range: 0 to 9999 seconds	0 seconds	
<i>A 11c</i> □□□□	A11 OFF delay time Setting range: 0 to 9999 seconds	0 seconds	
<i>A 12c</i> □□□□	A12 OFF delay time Setting range: 0 to 9999 seconds	0 seconds	
<i>A2 1c</i> □□□□	A21 OFF delay time Setting range: 0 to 9999 seconds	0 seconds	
<i>A22c</i> □□□□	A22 OFF delay time Setting range: 0 to 9999 seconds	0 seconds	
<i>A 11n</i> □□□□	A11 High/Low limits independent lower side span Conductivity input: Measurement range low limit to Measurement range high limit (*1) Temperature input: 0.0 to 100.0°C (*2)	Conductivity input: 0.00 mS/cm Temperature input: 0.0°C	
<i>A 12n</i> □□□□	A12 High/Low limits independent lower side span Setting range: Same as those of A11 High/Low limits independent lower side span (p.86)	Conductivity input: 0.00 mS/cm Temperature input: 0.0°C	
<i>A2 1n</i> □□□□	A21 High/Low limits independent lower side span Setting range: Same as those of A11 High/Low limits independent lower side span (p.86)	Conductivity input: 0.00 mS/cm Temperature input: 0.0°C	
<i>A22n</i> □□□□	A22 High/Low limits independent lower side span Setting range: Same as those of A11 High/Low limits independent lower side span (p.86)	Conductivity input: 0.00 mS/cm Temperature input: 0.0°C	
<i>A 11P</i> □□□□	A11 High/Low limits independent upper side span Conductivity input: Measurement range low limit to Measurement range high limit (*1) Temperature input: 0.0 to 100.0°C(*2)	Conductivity input: 0.00 mS/cm Temperature input: 0.0°C	
<i>A 12P</i> □□□□	A12 High/Low limits independent upper side span Setting range: Same as those of A11 High/Low limits independent upper side span (p.86)	Conductivity input: 0.00 mS/cm Temperature input: 0.0°C	
<i>A2 1P</i> □□□□	A21 High/Low limits independent upper side span Setting range: Same as those of A11 High/Low limits independent upper side span (p.86)	Conductivity input: 0.00 mS/cm Temperature input: 0.0°C	

(*1) The measurement unit and decimal point place follow the measurement range.
(*2) The placement of the decimal point does not follow the selection. It is fixed.

Character	Setting Item, Setting Range	Factory Default	Data																																																																								
A22P □000	A22 High/Low limits independent upper side span Setting range: Same as those of A11 High/Low limits independent upper side span (p.86)	Conductivity input: 0.00 mS/cm Temperature input: 0.0°C																																																																									
A11H □001	A11 hysteresis (Table 15-4) Conductivity input:	Conductivity input: 0.01 mS/cm, Temperature input: 1.0°C																																																																									
	<table border="1"> <thead> <tr> <th></th> <th>Measurement Range</th> <th>Setting Range</th> </tr> </thead> <tbody> <tr> <td rowspan="20">Cell constant 1.0/cm</td> <td>0.00 to 20.00 mS/cm</td> <td>0.01 to 2.00 mS/cm</td> </tr> <tr> <td>0.0 to 200.0 mS/cm</td> <td>0.1 to 20.0 mS/cm</td> </tr> <tr> <td>0.0 to 500.0 mS/cm</td> <td>0.1 to 50.0 mS/cm</td> </tr> <tr> <td>0 to 500 mS/cm</td> <td>1 to 50 mS/cm</td> </tr> <tr> <td>0.000 to 2.000 mS/cm</td> <td>0.001 to 0.200 mS/cm</td> </tr> <tr> <td>0.000 to 5.000 mS/cm</td> <td>0.001 to 0.500 mS/cm</td> </tr> <tr> <td>0.00 to 50.00 mS/cm</td> <td>0.01 to 5.00 mS/cm</td> </tr> <tr> <td>0 to 2000 μS/cm</td> <td>1 to 200 μS/cm</td> </tr> <tr> <td>0 to 5000 μS/cm</td> <td>1 to 500 μS/cm</td> </tr> <tr> <td>0.000 to 2.000 S/m</td> <td>0.001 to 0.200 S/m</td> </tr> <tr> <td>0.00 to 20.00 S/m</td> <td>0.01 to 2.00 S/m</td> </tr> <tr> <td>0.00 to 50.00 S/m</td> <td>0.01 to 5.00 S/m</td> </tr> <tr> <td>0.0 to 50.0 S/m</td> <td>0.1 to 5.0 S/m</td> </tr> <tr> <td>0 to 2000 mS/m</td> <td>1 to 200 mS/m</td> </tr> <tr> <td>0.000 to 5.000 S/m</td> <td>0.001 to 0.500 S/m</td> </tr> <tr> <td>0.0 to 200.0 mS/m</td> <td>0.1 to 20.0 mS/m</td> </tr> <tr> <td>0.0 to 500.0 mS/m</td> <td>0.1 to 50.0 mS/m</td> </tr> <tr> <td>0.0 to 20.0 g/L</td> <td>0.1 to 2.0 g/L</td> </tr> <tr> <td>0 to 200 g/L</td> <td>1 to 20 g/L</td> </tr> <tr> <td>0 to 500 g/L</td> <td>1 to 50 g/L</td> </tr> <tr> <td>0 to 2000 mg/L</td> <td>1 to 200 mg/L</td> </tr> <tr> <td>0 to 5000 mg/L</td> <td>1 to 500 mg/L</td> </tr> <tr> <td rowspan="8">Cell constant 10.0/cm</td> <td>0.0 to 200.0 mS/cm</td> <td>0.1 to 20.0 mS/cm</td> </tr> <tr> <td>0.0 to 500.0 mS/cm</td> <td>0.1 to 50.0 mS/cm</td> </tr> <tr> <td>0 to 2000 mS/cm</td> <td>1 to 200 mS/cm</td> </tr> <tr> <td>0.00 to 20.00 S/m</td> <td>0.01 to 2.00 S/m</td> </tr> <tr> <td>0.00 to 50.00 S/m</td> <td>0.01 to 5.00 S/m</td> </tr> <tr> <td>0.0 to 200.0 S/m</td> <td>0.1 to 20.0 S/m</td> </tr> <tr> <td>0 to 200 g/L</td> <td>1 to 20 g/L</td> </tr> <tr> <td>0 to 500 g/L</td> <td>1 to 50 g/L</td> </tr> <tr> <td>0 to 2000 g/L</td> <td>1 to 200 g/L</td> </tr> <tr> <td colspan="2">Seawater salinity 0.00 to 4.00%</td> <td>0.01 to 0.40%</td> </tr> <tr> <td colspan="2">NaCl salinity 0.00 to 20.00%</td> <td>0.01 to 2.00%</td> </tr> </tbody> </table>		Measurement Range	Setting Range	Cell constant 1.0/cm	0.00 to 20.00 mS/cm	0.01 to 2.00 mS/cm	0.0 to 200.0 mS/cm	0.1 to 20.0 mS/cm	0.0 to 500.0 mS/cm	0.1 to 50.0 mS/cm	0 to 500 mS/cm	1 to 50 mS/cm	0.000 to 2.000 mS/cm	0.001 to 0.200 mS/cm	0.000 to 5.000 mS/cm	0.001 to 0.500 mS/cm	0.00 to 50.00 mS/cm	0.01 to 5.00 mS/cm	0 to 2000 μS/cm	1 to 200 μS/cm	0 to 5000 μS/cm	1 to 500 μS/cm	0.000 to 2.000 S/m	0.001 to 0.200 S/m	0.00 to 20.00 S/m	0.01 to 2.00 S/m	0.00 to 50.00 S/m	0.01 to 5.00 S/m	0.0 to 50.0 S/m	0.1 to 5.0 S/m	0 to 2000 mS/m	1 to 200 mS/m	0.000 to 5.000 S/m	0.001 to 0.500 S/m	0.0 to 200.0 mS/m	0.1 to 20.0 mS/m	0.0 to 500.0 mS/m	0.1 to 50.0 mS/m	0.0 to 20.0 g/L	0.1 to 2.0 g/L	0 to 200 g/L	1 to 20 g/L	0 to 500 g/L	1 to 50 g/L	0 to 2000 mg/L	1 to 200 mg/L	0 to 5000 mg/L	1 to 500 mg/L	Cell constant 10.0/cm	0.0 to 200.0 mS/cm	0.1 to 20.0 mS/cm	0.0 to 500.0 mS/cm	0.1 to 50.0 mS/cm	0 to 2000 mS/cm	1 to 200 mS/cm	0.00 to 20.00 S/m	0.01 to 2.00 S/m	0.00 to 50.00 S/m	0.01 to 5.00 S/m	0.0 to 200.0 S/m	0.1 to 20.0 S/m	0 to 200 g/L	1 to 20 g/L	0 to 500 g/L	1 to 50 g/L	0 to 2000 g/L	1 to 200 g/L	Seawater salinity 0.00 to 4.00%		0.01 to 0.40%	NaCl salinity 0.00 to 20.00%		0.01 to 2.00%	
	Measurement Range	Setting Range																																																																									
Cell constant 1.0/cm	0.00 to 20.00 mS/cm	0.01 to 2.00 mS/cm																																																																									
	0.0 to 200.0 mS/cm	0.1 to 20.0 mS/cm																																																																									
	0.0 to 500.0 mS/cm	0.1 to 50.0 mS/cm																																																																									
	0 to 500 mS/cm	1 to 50 mS/cm																																																																									
	0.000 to 2.000 mS/cm	0.001 to 0.200 mS/cm																																																																									
	0.000 to 5.000 mS/cm	0.001 to 0.500 mS/cm																																																																									
	0.00 to 50.00 mS/cm	0.01 to 5.00 mS/cm																																																																									
	0 to 2000 μS/cm	1 to 200 μS/cm																																																																									
	0 to 5000 μS/cm	1 to 500 μS/cm																																																																									
	0.000 to 2.000 S/m	0.001 to 0.200 S/m																																																																									
	0.00 to 20.00 S/m	0.01 to 2.00 S/m																																																																									
	0.00 to 50.00 S/m	0.01 to 5.00 S/m																																																																									
	0.0 to 50.0 S/m	0.1 to 5.0 S/m																																																																									
	0 to 2000 mS/m	1 to 200 mS/m																																																																									
	0.000 to 5.000 S/m	0.001 to 0.500 S/m																																																																									
	0.0 to 200.0 mS/m	0.1 to 20.0 mS/m																																																																									
	0.0 to 500.0 mS/m	0.1 to 50.0 mS/m																																																																									
	0.0 to 20.0 g/L	0.1 to 2.0 g/L																																																																									
	0 to 200 g/L	1 to 20 g/L																																																																									
	0 to 500 g/L	1 to 50 g/L																																																																									
0 to 2000 mg/L	1 to 200 mg/L																																																																										
0 to 5000 mg/L	1 to 500 mg/L																																																																										
Cell constant 10.0/cm	0.0 to 200.0 mS/cm	0.1 to 20.0 mS/cm																																																																									
	0.0 to 500.0 mS/cm	0.1 to 50.0 mS/cm																																																																									
	0 to 2000 mS/cm	1 to 200 mS/cm																																																																									
	0.00 to 20.00 S/m	0.01 to 2.00 S/m																																																																									
	0.00 to 50.00 S/m	0.01 to 5.00 S/m																																																																									
	0.0 to 200.0 S/m	0.1 to 20.0 S/m																																																																									
	0 to 200 g/L	1 to 20 g/L																																																																									
	0 to 500 g/L	1 to 50 g/L																																																																									
0 to 2000 g/L	1 to 200 g/L																																																																										
Seawater salinity 0.00 to 4.00%		0.01 to 0.40%																																																																									
NaCl salinity 0.00 to 20.00%		0.01 to 2.00%																																																																									
	Temperature input:																																																																										
	<table border="1"> <thead> <tr> <th>Measurement Range</th> <th>Setting Range</th> </tr> </thead> <tbody> <tr> <td>0.0 to 100.0 °C</td> <td>0.1 to 10.0°C</td> </tr> </tbody> </table>	Measurement Range	Setting Range	0.0 to 100.0 °C	0.1 to 10.0°C																																																																						
Measurement Range	Setting Range																																																																										
0.0 to 100.0 °C	0.1 to 10.0°C																																																																										
A12H □001	A12 hysteresis Setting range: Same as those of A11 hysteresis (p.87)	Conductivity input: 0.01 mS/cm, Temperature input: 1.0°C																																																																									
A21H □001	A21 hysteresis Setting range: Same as those of A11 hysteresis (p.87)	Conductivity input: 0.01 mS/cm, Temperature input: 1.0°C																																																																									
A22H □001	A22 hysteresis Setting range: Same as those of A11 hysteresis (p.87)	Conductivity input: 0.01 mS/cm, Temperature input: 1.0°C																																																																									
1Err OFF□	A□□ output when input errors occur ON□□: Enabled OFF□: Disabled	Disabled																																																																									

Character	Setting Item, Setting Range	Factory Default	Data
<i>F1F1</i> □□00	Conductivity input filter time constant Setting range: 0.0 to 10.0 seconds	0.0 seconds	
<i>E400</i> □000	Conductivity input sensor correction Setting range: ±10% of measurement span (*)	0.00 mS/cm	
<i>4E1r</i> □□00	3-electrode Conductivity Sensor resistance Setting range: 0 to 100 Ω	0 Ω	
<i>dFcF</i> □□20	Conductivity inputs for moving average Setting range: 1 to 120	20	

(*) The measurement unit and decimal point place follow the measurement range.

Temperature Input Group

Character	Setting Item, Setting Range	Factory Default	Data
<i>rcaL</i> <i>nRcL</i>	Temperature compensation method <i>nRcL</i> : Temperature compensation is conducted using temperature characteristics of NaCl. Select when the main salt ingredient in a sample is NaCl. <i>rcaE</i> : Temperature compensation is conducted using temperature coefficient (%/°C) and a randomly selected reference temperature. <i>oFF</i> : No temperature compensation	NaCl	
<i>tcaE</i> □200	Temperature coefficient Setting range: -5.00 to 5.00 %/°C	2.00 %/°C	
<i>4rnd</i> □250	Reference temperature Setting range: 5.0 to 95.0°C (*)	25.0°C	
<i>dP20</i> □□00	Decimal point place □□□0 : No decimal point □□00 : 1 digit after decimal point	1 digit after decimal point	
<i>conE</i> <i>Pt03</i>	Pt100 input wire type <i>Pt02</i> : 2-wire type <i>Pt03</i> : 3-wire type	3-wire type	
<i>cAbL</i> □□00	Cable length correction Setting range: 0.0 to 100.0 m	0.0 m	
<i>c4Ec</i> □030	Cable cross-section area Setting range: 0.10 to 2.00 mm ²	0.30 mm ²	
<i>F1F2</i> □□00	Temperature input filter time constant Setting range: 0.0 to 10.0 seconds	0.0 seconds	
<i>dFcF</i> □□20	Temperature inputs for moving average Setting range: 1 to 120	20	

(*) The placement of the decimal point follows the selection.

Basic Function Group

Character	Setting Item, Setting Range	Factory Default	Data
<i>Loct</i> □□□□	Set value lock □□□□ : Unlock <i>Loc1</i> : Lock 1 <i>Loc2</i> : Lock 2 <i>Loc3</i> : Lock 3	Unlock	
<i>cn4L</i> <i>nonL</i>	Communication protocol <i>nonL</i> : Shinko protocol <i>nodR</i> : MODBUS ASCII mode <i>nodr</i> : MODBUS RTU mode	Shinko protocol	
<i>cnno</i> □□□0	Instrument number Setting range: 0 to 95	0	

Character	Setting Item, Setting Range	Factory Default	Data
<i>cā4P</i> □□96	Communication speed □□96 : 9600 bps □ 192 : 19200 bps □384 : 38400 bps	9600 bps	
<i>cāFΓ</i> 7E8n	Data bit/Parity 8non : 8 bits/No parity 7non : 7 bits/No parity 8E8n : 8 bits/Even 7E8n : 7 bits/Even 8odd : 8 bits/Odd 7odd : 7 bits/Odd	7 bits/Even	
<i>cā4Γ</i> □□□1	Stop bit □□□1 : 1 bit □□□2 : 2 bits	1 bit	
<i>Γr01</i> Ec□□	Transmission output 1 type Ec□□ : Conductivity transmission ΓEAP : Temperature transmission	Conductivity transmission	
<i>ΓrH1</i> 2000	Transmission output 1 high limit Conductivity transmission: Transmission output 1 low limit to Conductivity range high limit Temperature transmission: Transmission output 1 low limit to 100.0°C	20.00 mS/cm	
<i>ΓrL1</i> □000	Transmission output 1 low limit Conductivity transmission: Conductivity range low limit to Transmission output 1 high limit Temperature transmission: 0.0°C to Transmission output 1 high limit	0.00 mS/cm	
<i>Γr02</i> ΓEAP	Transmission output 2 type Ec□□ : Conductivity transmission ΓEAP : Temperature transmission	Temperature transmission	
<i>ΓrH2</i> 1000	Transmission output 2 high limit Conductivity transmission: Transmission output 2 low limit to Conductivity range high limit Temperature transmission: Transmission output 2 low limit to 100.0°C	100.0°C	
<i>ΓrL2</i> □□00	Transmission output 2 low limit Conductivity transmission: Conductivity range low limit to Transmission output 2 high limit Temperature transmission: 0.0°C to Transmission output 2 high limit	0.0°C	
<i>Γrc1</i> bEFH	Transmission output 1 status when calibrating bEFH : Last value HOLD 4EFH : Set value HOLD PBH□ : Measured value	Last value HOLD	
<i>Γr41</i> □000	Transmission output 1 value HOLD when calibrating Conductivity transmission: Conductivity range low limit to Conductivity range high limit Temperature transmission: 0.0 to 100.0°C	Conductivity transmission: 0.00 mS/cm Temperature transmission: 0.0°C	
<i>Γrc2</i> bEFH	Transmission output 2 status when calibrating bEFH : Last value HOLD 4EFH : Set value HOLD PBH□ : Measured value	Last value HOLD	
<i>Γr42</i> □□00	Transmission output 2 value HOLD when calibrating Conductivity transmission: Conductivity range low limit to Conductivity range high limit Temperature transmission: 0.0 to 100.0°C	Conductivity transmission: 0.00 mS/cm Temperature transmission: 0.0°C	

Character	Setting Item, Setting Range	Factory Default	Data															
LI GF -----	Auto-light function ----- : Disabled U4E : Enabled	Disabled																
dl 4P ALL	Display selection	Conductivity/Temperature																
	<table border="1"> <thead> <tr> <th></th> <th>Conductivity Display</th> <th>Temperature Display</th> </tr> </thead> <tbody> <tr> <td>ALL</td> <td>Conductivity</td> <td>Temperature</td> </tr> <tr> <td>Ec</td> <td>Conductivity</td> <td>No indication</td> </tr> <tr> <td>TEMP</td> <td>No indication</td> <td>Temperature</td> </tr> <tr> <td>none</td> <td>No indication</td> <td>No indication</td> </tr> </tbody> </table>		Conductivity Display	Temperature Display	ALL	Conductivity	Temperature	Ec	Conductivity	No indication	TEMP	No indication	Temperature	none	No indication	No indication		
	Conductivity Display	Temperature Display																
ALL	Conductivity	Temperature																
Ec	Conductivity	No indication																
TEMP	No indication	Temperature																
none	No indication	No indication																
TI nE 0000	Indication time Setting range: 00.00 (Remains lit) 00.01 to 60.00 (Minutes.Seconds)	00.00																
oFdP oFF	Temperature Display when no temperature compensation Selection item: oFF : Unlit 4Fd : Reference temperature Pb : Measured value	Unlit																
A1oF A11	A1 output allocation Selection item: A11 : A11 type A12 : A12 type A21 : A21 type A22 : A22 type A1A1 : A11, A12 types A2A1 : A21, A22 types A1A2 : A11, A21 types A2A2 : A12, A22 types ALL : A11, A12, A21, A22 types	A11 type																
A2oF A21	A2 output allocation Selection item: Same as those of A1 output allocation (p.90)	A21 type																
oOn1 0000	Output ON time when A1 output is ON Setting range: 0 to 9999 seconds	0 seconds																
oOff1 0000	Output OFF time when A1 output is ON Setting range: 0 to 9999 seconds	0 seconds																
oOn2 0000	Output ON time when A2 output is ON Setting range: 0 to 9999 seconds	0 seconds																
oOff2 0000	Output OFF time when A2 output is ON Setting range: 0 to 9999 seconds	0 seconds																
A1E -----	A1 conductivity input error alarm A type Selection item: ----- : No action A11 : A11 type A12 : A12 type A21 : A21 type A22 : A22 type	No action																

Character	Setting Item, Setting Range	Factory Default	Data
R2E□ □□□□	A2 conductivity input error alarm A□□ type Selection item: □□□□ : No action R11□ : A11 type R12□ : A12 type R21□ : A21 type R22□ : A22 type	No action	
R1E□ □□□□	A1 conductivity input error alarm band when A□□ output ON Setting range: Conductivity range low limit to Conductivity range high limit	0.00 mS/cm	
R1a□ □□□□	A1 conductivity input error alarm time when A□□ output ON Setting range: 0 to 9999 seconds or minutes (*)	0 seconds	
R1E□ □□□□	A1 conductivity input error alarm band when A□□ output OFF Setting range: Conductivity range low limit to Conductivity range high limit	0.00 mS/cm	
R1a□ □□□□	A1 conductivity input error alarm time when A□□ output OFF Setting range: 0 to 9999 seconds or minutes (*)	0 seconds	
R2E□ □□□□	A2 conductivity input error alarm band when A□□ output ON Setting range: Conductivity range low limit to Conductivity range high limit	0.00 mS/cm	
R2a□ □□□□	A2 conductivity input error alarm time when A□□ output ON Setting range: 0 to 9999 seconds or minutes (*)	0 seconds	
R2E□ □□□□	A2 conductivity input error alarm band when A□□ output OFF Setting range: Conductivity range low limit to Conductivity range high limit	0.00 mS/cm	
R2a□ □□□□	A2 conductivity input error alarm time when A□□ output OFF Setting range: 0 to 9999 seconds or minutes (*)	0 seconds	
R4□ 4E□□	Conductivity input error alarm time unit Selection item: 4E□□ : Second(s) R1□□ : Minute(s)	Second(s)	

(*) The time unit depends on the selection in [Conductivity input error alarm time unit].

***** Inquiries *****

For any inquiries about this unit, please contact our agency or the vendor where you purchased the unit after checking the following.

[Example]

- Model ----- WIL-102-ECH
- Serial number ----- No. 195F05000

In addition to the above, please let us know the details of the malfunction, or discrepancy, and the operating conditions.

SHINKO TECHNOS CO., LTD.
OVERSEAS DIVISION

Head Office: 2-5-1, Senbahigashi, Minoo, Osaka, 562-0035, Japan

[URL] <https://shinko-technos.co.jp/e/>

[E-mail] overseas@shinko-technos.co.jp

Tel: +81-72-727-6100

Fax: +81-72-727-7006