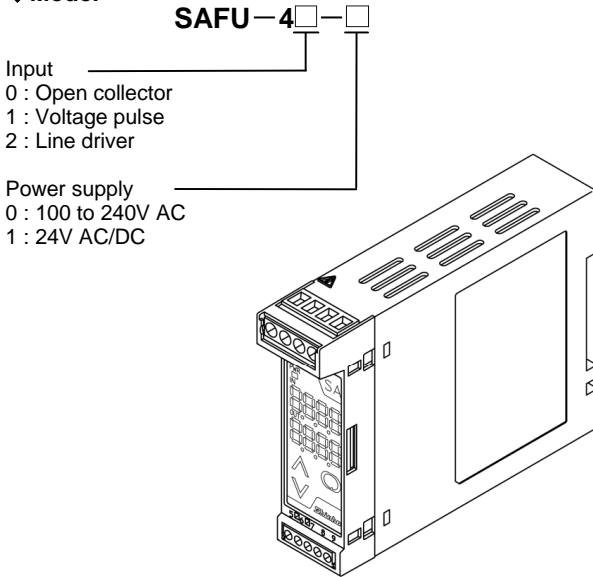


Frequency Transmitter

Model : **SAFU**

(With indication function & sensor power)

◆ Model



◆ How to order

Specify a model and input frequency.

(e.g.) SAFU-40-0 (Frequency 10kHz)

Default value (If not specified, shipped as the following default value)

Input frequency	100kHz
Output	4 to 20mA DC

■ Input specifications

Open collector

Frequency range	: 0.001Hz to 1kHz 0.001Hz to 100kHz
Minimum pulse width	: 4μs or more (for ON and OFF)
Input detection voltage/current	: ON: Max. 30mA (30V or less) OFF: Residual voltage 0.5V or less
Operation input conditions	: ON: 200Ω or less OFF: 100kΩ or more

Voltage pulse

Frequency range	: 0.001Hz to 1kHz 0.001Hz to 100kHz
Minimum pulse width	: 4μs or more (for High and Low)
Waveform	: Rectangular, sine waveform or similar
Detection level	: Low: 1V DC or less High: 2V DC or more
Input impedance	: 10kΩ or more
Input amplitude	: 2 to 50V _{p-p}

Line driver

AM26LS31 or equivalent

Receiver: AM26LS32 or equivalent

◆ Output Specifications

When the output range lower limit is zero, (even if zero adjustment results in a negative value), the output value will not be negative.

DC Current

Output	Allowable load resistance	Zero adjustment range	Span adjustment range
4 to 20mA DC	700Ω or less	-5 to 5%	95 to 105%
0 to 20mA DC	700Ω or less	0 to 5%	95 to 105%
0 to 12mA DC	1.2kΩ or less	0 to 5%	95 to 105%
0 to 10mA DC	1.2kΩ or less	0 to 5%	95 to 105%
1 to 5mA DC	2.4kΩ or less	-5 to 5%	95 to 105%

DC Voltage

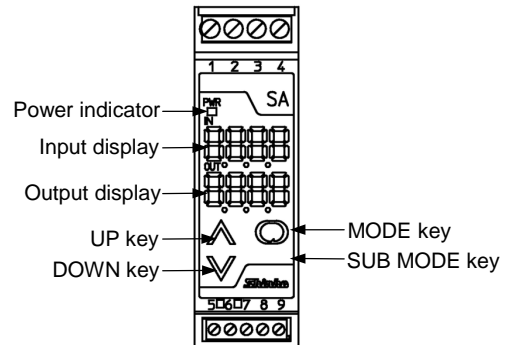
Output	Allowable load resistance	Zero adjustment range	Span adjustment range
0 to 1V DC	100Ω or more	0 to 5%	95 to 105%
0 to 5V DC	500Ω or more	0 to 5%	95 to 105%
1 to 5V DC	500Ω or more	-5 to 5%	95 to 105%
0 to 10V DC	1kΩ or more	0 to 5%	95 to 105%

◆ Performance

Reference accuracy	: Within ±0.1%
Output accuracy	: Within ±0.1%
Display accuracy	: Within Reference accuracy ±1 digit
Frequency sampling period	: 500ms
Response time	: 700ms + Frequency sampling period or less
Temperature coefficient	: ±0.015%/°C
Insulation resistance	: 10MΩ or more, at 500V DC (Input - Output - Power)
Dielectric strength	: 2.0kV AC for 1 minute (Input - Output - Power)

■ General structure

Case	: Flame-resistant resin, Color: Light gray
Front panel	: Membrane sheet
Setting	: By the front keypad
Displays, indicator	: Input display: 7-segment, Red LED display 4-digit Character size, 7.4 x 4.0mm (H x W) Output display: 7-segment, Green LED display 4-digit Character size, 7.4 x 4.0mm (H x W) Power indicator: Green LED



■ Installation specifications

Power supply : 100 to 240V AC, 50/60Hz
 24V AC/DC, 50/60Hz
 Allowable voltage range: 85 to 264V AC
 20 to 28V AC/DC
 Power consumption : Approx. 9VA
 Power supply for sensor: 12V DC ±5%, 25mA
 Ambient temperature : -5 to 55°C (23 to 131°F)
 Ambient humidity : 35 to 85%RH (non-condensing)
 Weight : Approx. 120g
 Mounting : DIN rail mounting
 External dimensions : 22.5 (W) x 75 (H) x 100 (D)mm

■ Attached functions

Power failure countermeasure:
 The data is backed up in non-volatile IC memory.
 Self diagnosis:
 The CPU is monitored by a watchdog timer, and when an abnormal status is found on the CPU, the unit is switched to warm-up status after turning all outputs off.
 Detecting unconnected sensor:
 If pulse is not detected for a constant period (1sec), the unit will revert to the initial status (0Hz).

■ Settings

Function keys

- (1) UP key : Increases the numeric value.
- (2) DOWN key : Decreases the numeric value.
- (3) MODE key : Switches the setting mode.
- (4) SUB MODE key : Press with the MODE key to proceed to the Setup mode.

Setting items

Setting by pressing the MODE key for 3 seconds

- (1) Output zero adjustment
- (2) Output span adjustment

Setting by the MODE key and SUB MODE key

- (1) Set value lock
- (2) Frequency high limit value
- (3) Output 0% value
- (4) Output 100% value
- (5) Decimal point place
- (6) Output type
- (7) Output Normal/Reverse
- (8) Shutdown threshold value
- (9) Output volume during shutdown
- (10) Display selection
- (11) Indication time

■ Displays and indicators

Input display: Indicates the input value.

Indication of 10000 or more: The lower 4 digits flash.

0 flashes when pulse is absent.

When input frequency is lower than shutdown threshold value, the input value flashes.

Over range: " " flashes on the Input display.

(1.1 times frequency high limit value)

Warm-up indication: For approx. 2 seconds after power-on, the input type is indicated on the Input display, and the output type is indicated on the Output display.

Output display: Indicates the output volume in percentage form (%).

Power indicator: The green LED lights when power-on.

■ Ferrules

Terminals from 1 to 4

Insulation sleeve attached (Phoenix Contact GMBH & CO.)

AI0.25-8YE	0.2—0.25mm ²
AI0.34-8TQ	0.25—0.34mm ²
AI0.5-8WH	0.34—0.5mm ²
AI0.75-8GY	0.5—0.75mm ²
AI1.0-8RD	0.75—1.0mm ²
AI1.5-8BK	1.0—1.5mm ²

Crimping pliers (Phoenix Contact GMBH & CO.)

CRIMPFOX ZA3
 CRIMPFOX UD6

Terminals from 5 to 9

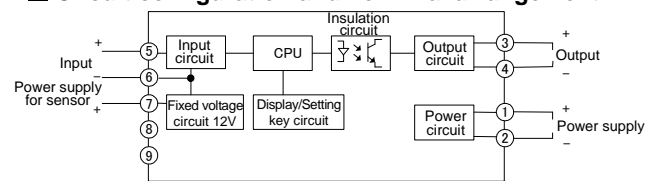
Insulation sleeve attached (Phoenix Contact GMBH & CO.)

AI0.25-8YE	0.2—0.25mm ²
AI0.34-8TQ	0.25—0.34mm ²
AI0.5-8WH	0.34—0.5mm ²

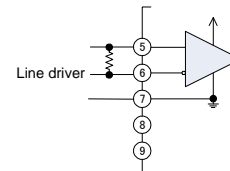
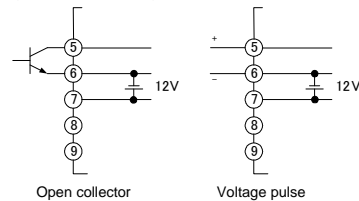
Crimping pliers (Phoenix Contact GMBH & CO.)

CRIMPFOX ZA3
 CRIMPFOX UD6

■ Circuit configuration and Terminal arrangement



Input connection example



■ External Dimensions (Scale: mm)

