

和文は裏面をご覧ください。

QUICK REFERENCE [Applicable model: SGC, SGCW, SGCL] No. SGC12JE1 2018.10

Model Name

SGC □ - □ □ □ - □ - □

Option
 0: No option needed, 1: Multi-rotation trimmer
 2: Moisture-proof treatment
 3: Multi-rotation trimmer+Moisture-proof treatment

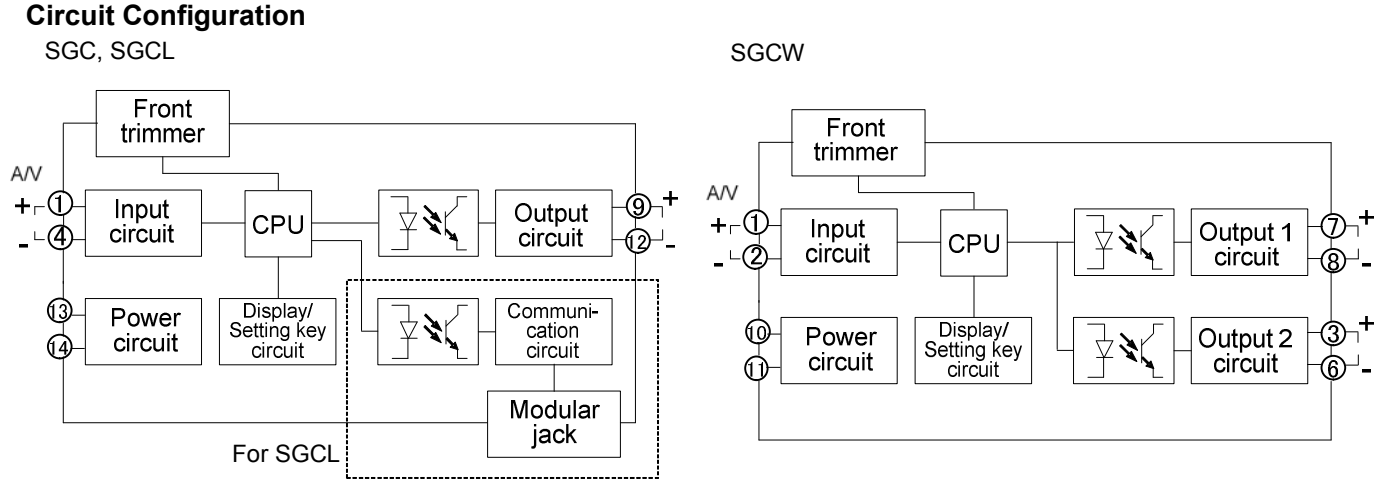
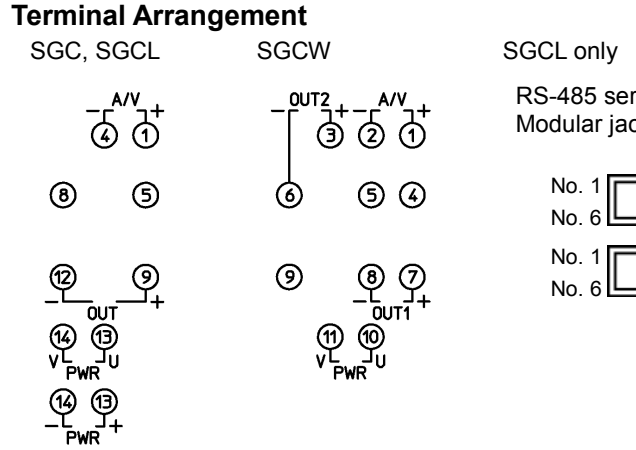
Power supply
 0: 100 to 240 V AC, 1: 24 V AC/DC*2

Output 2*1
 Output 1*1

Input

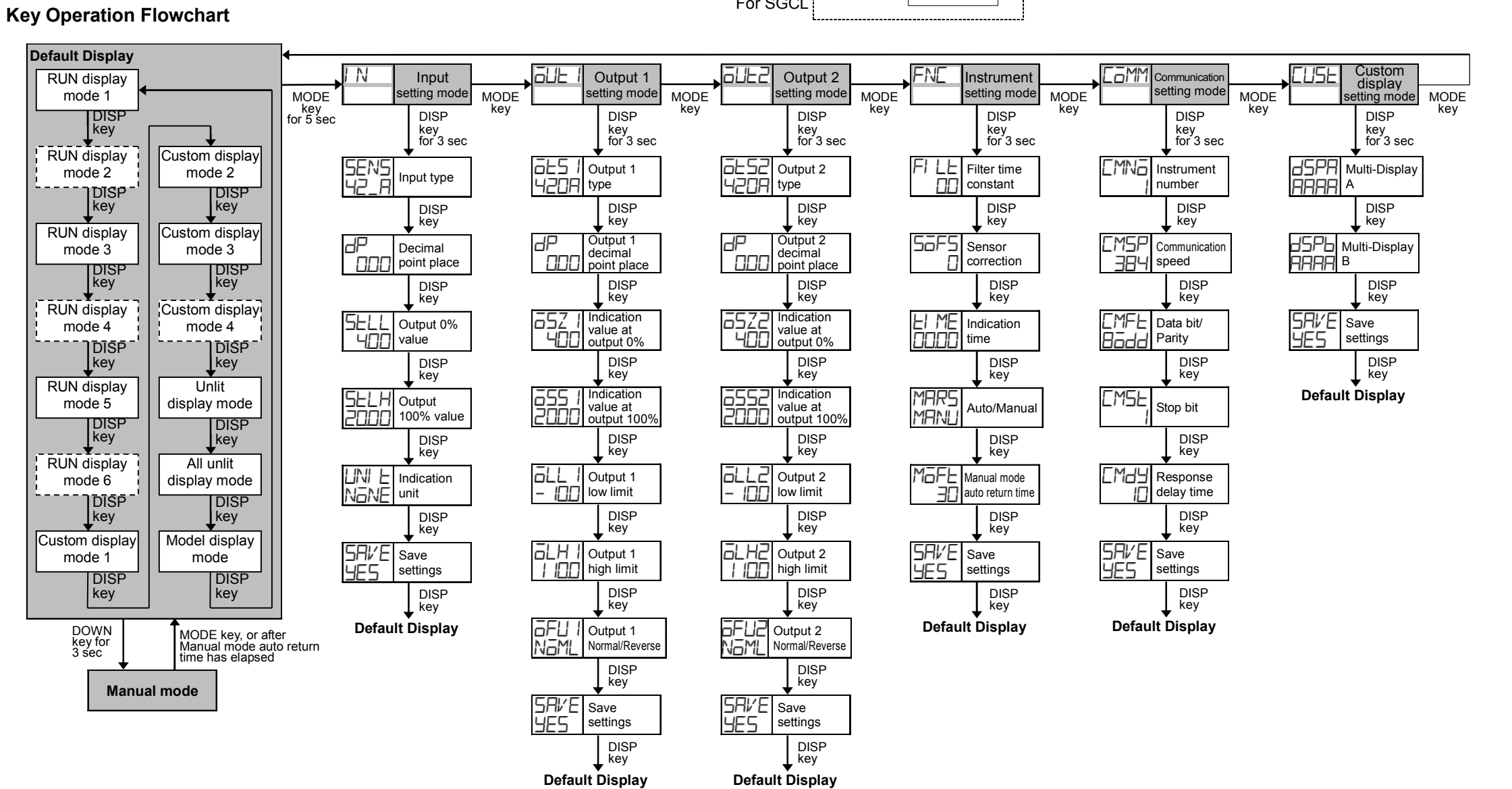
Series name
 SGC: 1-output, SGCW: 2-outputs
 SGCL: 1-output + Serial communication

*1: For SGCW only
 *2: For SGC, SGCL only
 (For detailed input/output spec, refer to the full Instruction Manual.)



Characters

Indication	4	0	1	2	3	4	5	6	7	8	9	C	F
Number, °C/°F	-1	0	1	2	3	4	5	6	7	8	9	°C	°F
Indication	A	B	C	D	E	F	G	H	I	J	K	L	M
Alphabet	A	B	C	D	E	F	G	H	I	J	K	L	M
Indication	N	O	P	Q	R	S	T	U	V	W	X	Y	Z
Alphabet	N	O	P	Q	R	S	T	U	V	W	X	Y	Z



Selection Item List

Input type	Decimal point place	384	38400 bps
42_A	4 to 20 mA (Built-in 50 Ω shunt resistor)	No decimal point	Data bit/Parity
42_1	4 to 20 mA (250Ω shunt resistor)	1 digit after point	8 bits/No parity
42_2	4 to 20 mA (50 Ω shunt resistor)	2 digits after point	8 bits/Even
020A	0 to 20 mA (250Ω shunt resistor)	3 digits after point	8 bits/Odd
016A	0 to 16 mA (62.5Ω shunt resistor)	Indication unit	Stop bit
210A	2 to 10 mA (250Ω shunt resistor)	NONE No unit	1 1 bit
010A	0 to 10 mA (100Ω shunt resistor)	PER %	2 2 bits
15A	1 to 5 mA (100Ω shunt resistor)	MA mA	
01A	0 to 1 mA (1000Ω shunt resistor)	VOLT V	
1050	10 to 50 mA (10 Ω shunt resistor)	CELS °C	
01mV	0 to 10 mV (Input resi. 1 MΩ)	Save settings	
05mV	0 to 50 mV (Input resi. 1 MΩ)	YES Save	
06mV	0 to 60 mV (Input resi. 1 MΩ)	NO Not save	
00V	0 to 100 mV (Input resi. 1 MΩ)	Output 1, Output 2 type	
01V	0 to 1 V (Input resi. 1 MΩ)	420A 4 to 20 mA	
05V	0 to 5 V (Input resi. 1 MΩ)	020A 0 to 20 mA	
15V	1 to 5 V (Input resi. 1 MΩ)	016A 0 to 16 mA	
-55V	-5 to 5 V (Input resi. 1 MΩ)	210A 2 to 10 mA	
010V	0 to 10 V (Input resi. 1 MΩ)	010A 0 to 10 mA	
-110V	-10 to 10 V (Input resi. 1 MΩ)	01mV 0 to 10 mV	
		05mV 0 to 5 V	
		06mV 0 to 10 V	
		00V No decimal point	
		01V 1 digit after point	
		05V 2 digits after point	
		15V 3 digits after point	
		Output 1,2 Normal/Reverse	
		NOML Normal	
		REVS Reverse	
		Auto/Manual	
		AUTO Auto	
		MANU Manual	
		Communication speed	
		96 9600 bps	
		192 19200 bps	

- Display Mode**
- Available only for the SGCW.
 - For the details of the display mode, refer to the full Instruction Manual.
- Default Display**
- If the MODE and DISP keys (in that order) are pressed together for approx. 3 seconds in any display mode, the display mode will become the Default Display.
 - Once the Default Display is set, the DISP key will be in lock status.
 - If the DISP key is pressed for approx. 3 seconds, the key lock status will be cancelled.
 - If the DISP key is pressed while the DISP key is in lock status, Multi-Display A will indicate LOCK.
- Setting Mode**
- Output 2 setting mode is available only for the SGCW.
 - Communication setting mode is available only for the SGCL.
 - If the MODE key is pressed for approx. 5 seconds in each setting mode, the unit will move to the Default Display.

(Abbreviation: Input resi.: Input resistance)
 ※1 Not available for the SGCW.