

和文は裏面をご覧ください。

QUICK REFERENCE [Applicable model: SGM, SGMW, SGML] No. SGM12JE1 2018.10

Model Name

SGM□-□□□□-□□□□

Option
 0: No option needed, 1: Multi-rotation trimmer
 2: Moisture-proof treatment
 3: Multi-rotation trimmer+Moisture-proof treatment

Power supply
 0: 100 to 240 V AC, 1: 24 V AC/DC*2

Output 2¹
 Output 2², Output 1¹

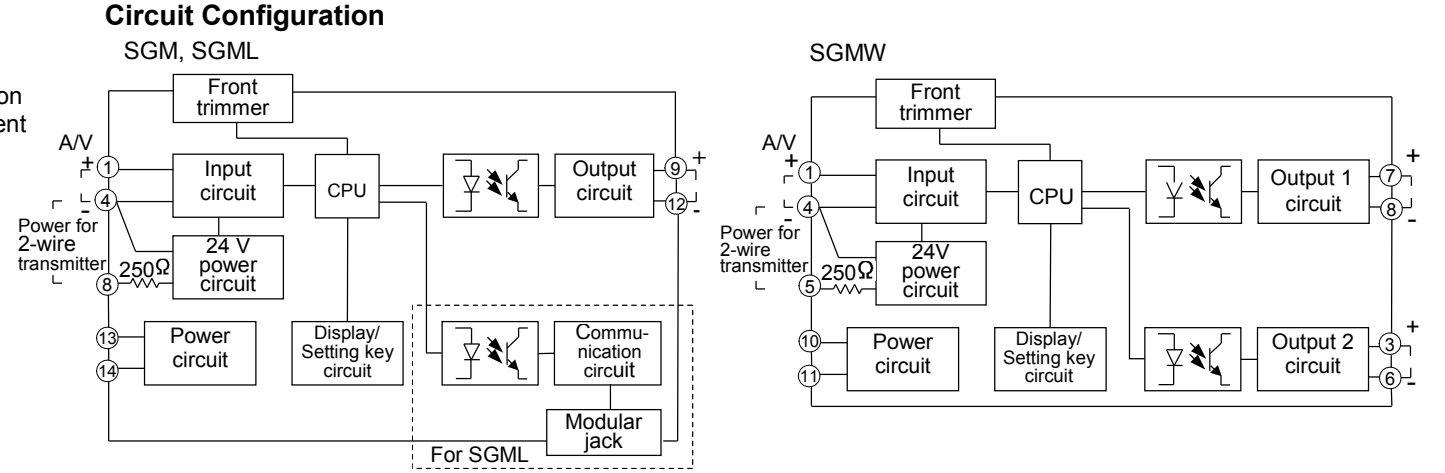
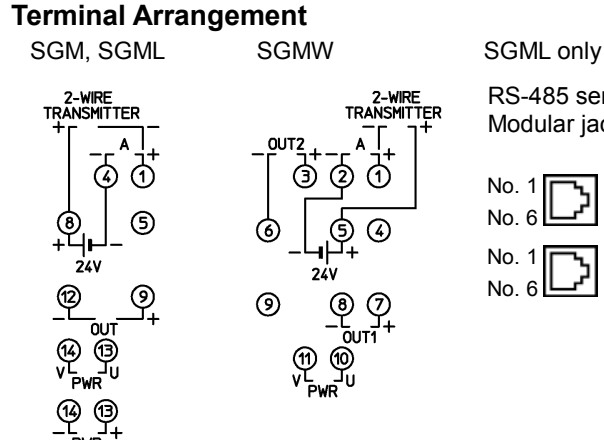
Input

Series name

*1 : SGMW only
 *2 : SGM, SGML only

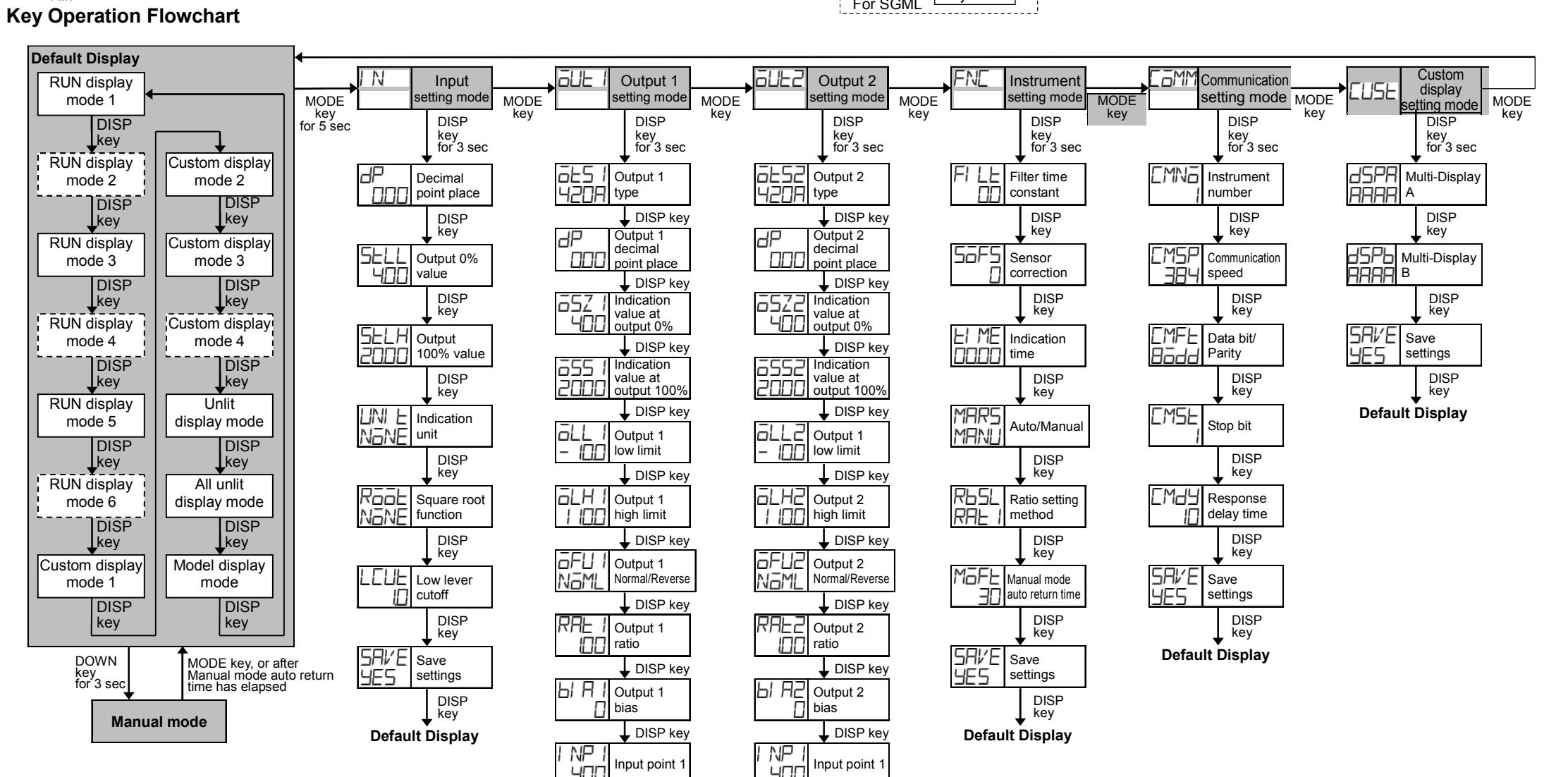
SGM: 1-output, SGMW: 2-outputs
 SGML: 1-output + Serial communication

(For detailed input/output spec, refer to the full Instruction Manual.)



Characters

Indication	1	0	1	2	3	4	5	6	7	8	9	C	F
Number, °C/°F	-1	0	1	2	3	4	5	6	7	8	9	°C	°F
Indication	A	B	C	D	E	F	G	H	I	J	K	L	M
Alphabet	A	B	C	D	E	F	G	H	I	J	K	L	M
Indication	N	O	P	Q	R	S	T	U	V	W	X	Y	Z
Alphabet	N	O	P	Q	R	S	T	U	V	W	X	Y	Z



Selection Item List

Decimal point place	Output 1,2 decimal point place
□ No decimal point	□ No decimal point
□□ 1 digit after point	□□ 1 digit after point
□□□ 2 digits after point	□□□ 2 digits after point
□□□□ 3 digits after point	□□□□ 3 digits after point
Indication unit	Output 1,2 Normal/Reverse
NONE No unit	NOML Normal
PER %	REVS Reverse
MA mA	AUTO Manual
VOLT V	AUTO Auto
CELS °C	MANU Manual
Square root function	Ratio setting method
USE Enabled	RAT1 Ratio setting
NONE Disabled	OUT Output value setting
Save settings	Communication speed
YES Save	96 9600 bps
NO Not save	192 19200 bps
Output 1, Output 2 type	384 38400 bps
420A 4 to 20 mA	Data bit/Parity
020A 0 to 20 mA	8NON 8 bits/No parity
016A 0 to 16 mA	8EVEN 8 bits/Even
210A 2 to 10 mA	8ODD 8 bits/Odd
010A 0 to 10 mA	Stop bit
01MV 0 to 10 mV	1 1 bit
01V 0 to 1 V	2 2 bits
05V 0 to 5 V	
15V 1 to 5 V	
010V 0 to 10 V	
-55V -5 to 5 V*1	

※1 Not available for the SGMW.

- Display Mode**
- Available only for the SGMW.
 - For the details of the display mode, refer to the full Instruction Manual.
- Default Display**
- If the MODE and DISP keys (in that order) are pressed together for approx. 3 seconds in any display mode, the display mode will become the Default Display.
 - Once the Default Display is set, the DISP key will be in lock status.
 - If the DISP key is pressed for approx. 3 seconds, the key lock status will be cancelled.
 - If the DISP key is pressed while the DISP key is in lock status, Multi-Display A will indicate LOCK.
- Setting Mode**
- Output 2 setting mode is available only for the SGMW.
 - Communication setting mode is available only for the SGML.
 - If the MODE key is pressed for approx. 5 seconds in each setting mode, the unit will move to the Default Display.